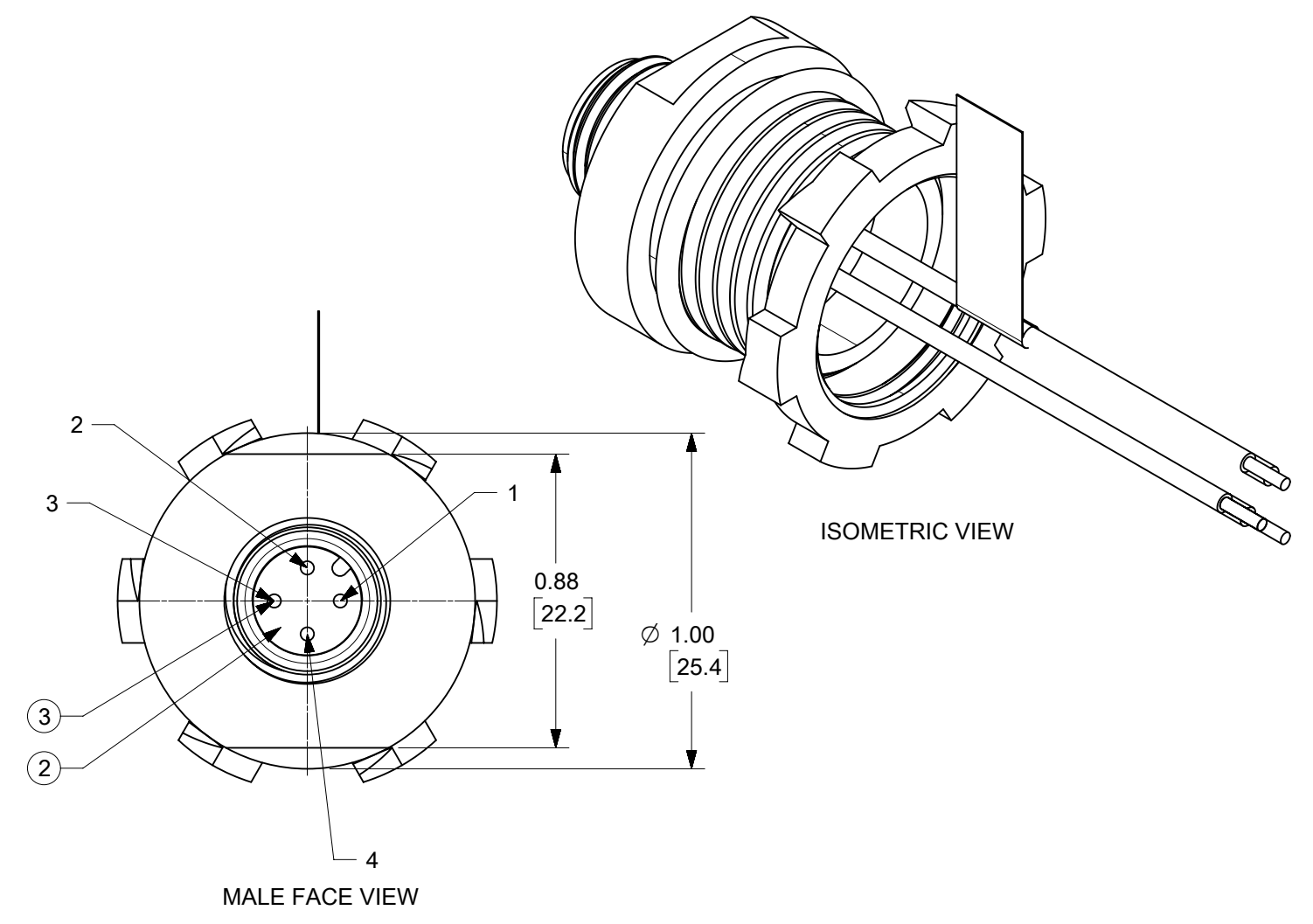
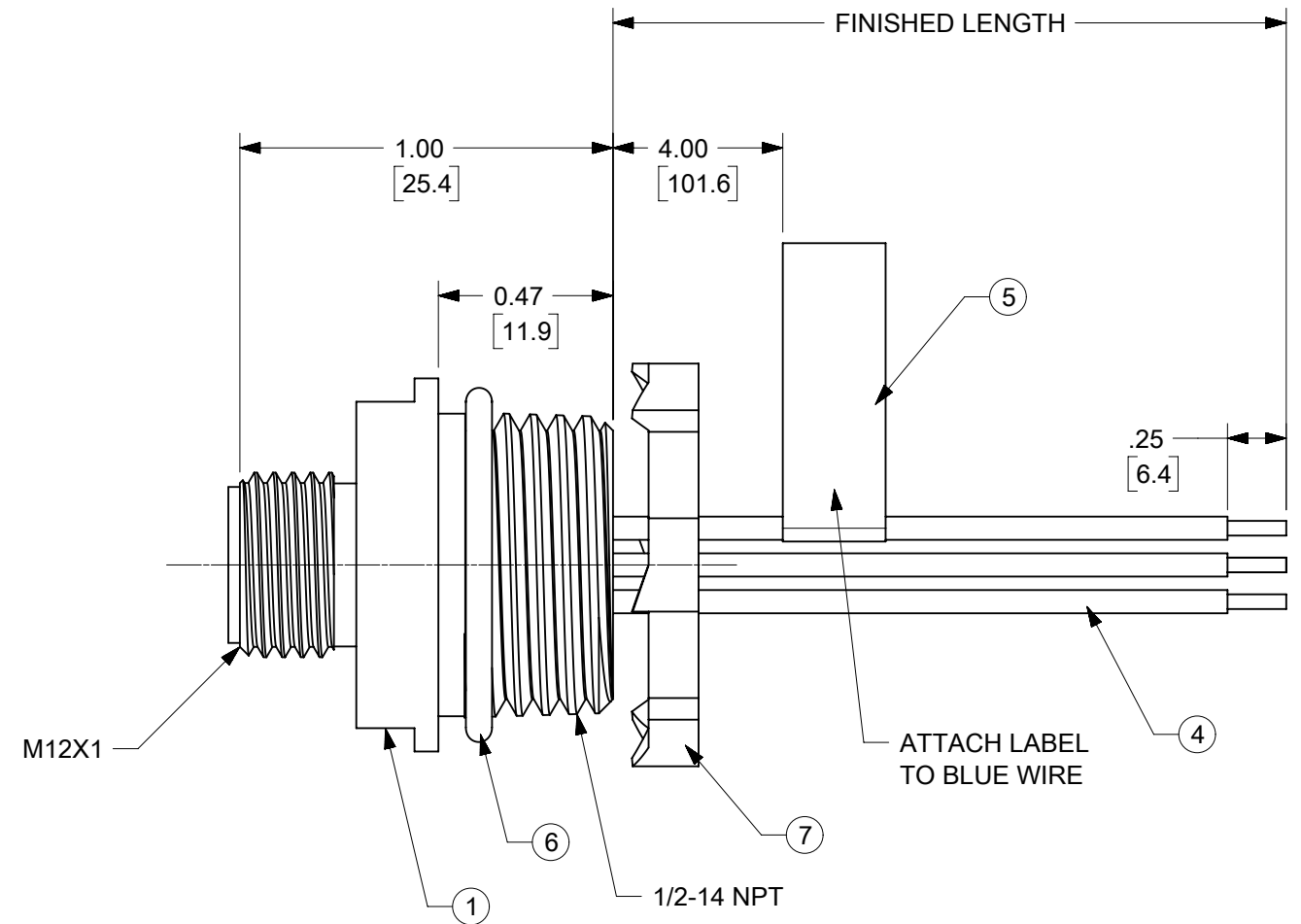


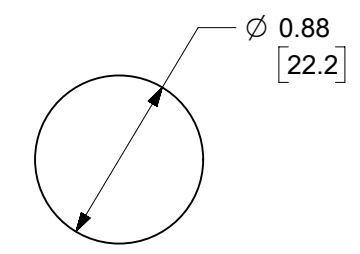
MATERIAL NO.	ENGINEERING NO.	FINISHED LENGTH
1200700544	8R4006A18M0053	.5M



- NOTES:
1. MATERIAL: SEE TABLE
 2. FINISHES: SEE TABLE
 3. ELECTRICAL SPECIFICATIONS:
VOLTAGE RATING: 250V AC/DC
CURRENT RATING: 4 AMPS
 4. TEMP RATING: -20° TO +80°C
 5. PROTECTION: IP67 WHEN FULLY MATED
 6. UL LISTED FILE: E152210
CSA CERTIFIED: LR6837
 7. ALL DIMS ARE FOR REFERENCE UNLESS TOLERANCED OR NOTED OTHERWISE

PART NUMBER LEGEND
8R4006A18M0053

LENGTH:
M005 = .5M
M050 = 5M
M500 = 50M



WIRING DIAGRAM

BROWN	1
WHITE	2
BLUE	3
BLACK	4

CABLE LENGTH TOLERANCES

>.3M [1FT]:	+19mm-0 [+1.75in-0]
.3 - .9M [1 - 3FT]:	+44.5mm-0 [+1.75in-0]
.9 - 1.8M [3 - 6FT]:	+55.6mm-0 [+2.19in-0]
1.8 - 3.7M [6 - 12FT]:	+88.9mm-0 [+3.50in-0]
3.7 - 7.3M [12 - 24FT]:	+165.1mm-0 [+6.50in-0]
7.3 - 14.6M [24 - 48FT]:	+317.5mm-0 [+12.50in-0]
14.6 - 30.5M [48-100FT]:	+622.3mm-0 [+24.50in-0]
OVER 30M [100FT]	+2% OF FINISHED LENGTH

QTY	DESCRIPTION	MATERIAL	FINISH
7	LOCKNUT	STEEL	ZINC PLATED
6	O-RING	NITRILE	BLACK
5	FLAG LABEL	VINYL	CLEAR/YELLOW
4	WIRE, 22 AWG	PVC INSULATION	SEE FACE VIEW
3	CONTACT PIN	CU ALLOY	GOLD PLATED
2	INSERT, 4P MALE	NYLON	BLACK
1	RECEPTACLE SHELL MALE	BRASS ALLOY	NICKEL PLATED

SYMBOLS		THIS DRAWING CONTAINS INFORMATION THAT IS PROPRIETARY TO MOLEX ELECTRONIC TECHNOLOGIES, LLC AND SHOULD NOT BE USED WITHOUT WRITTEN PERMISSION	
▽ = 0	DIMENSION UNITS	SCALE	CURRENT REV DESC: INITIAL RELEASE
▽ = 0	HYBRID	1:1	
▽ = 0	GENERAL TOLERANCES (UNLESS SPECIFIED)		
▽ = 0	ANGULAR TOL	±	
▽ = 0	4 PLACES	±	EC NO: 615934
▽ = 0	3 PLACES	±	DRWN: CCHRSTKA 2019/04/17
▽ = 0	2 PLACES	±	CHK'D: MZIELINSKI 2019/04/23
▽ = 0	1 PLACE	±	APPR: BWOODMAN 2019/04/25
▽ = 0	0 PLACES	±	INITIAL REVISION:
▽ = 0	DRAFT WHERE APPLICABLE MUST REMAIN WITHIN DIMENSIONS		DRWN: CCHRSTKA 2019/04/17
▽ = 0	THIRD ANGLE PROJECTION		APPR: BWOODMAN 2019/04/25
DRAWING		SERIES	DOCUMENT NUMBER
B-SIZE		120070	1200700544
MATERIAL NUMBER		CUSTOMER	DOC TYPE
SEE TABLE			PSD
SHEET NUMBER			DOC PART
1 OF 1			REVISION
			A