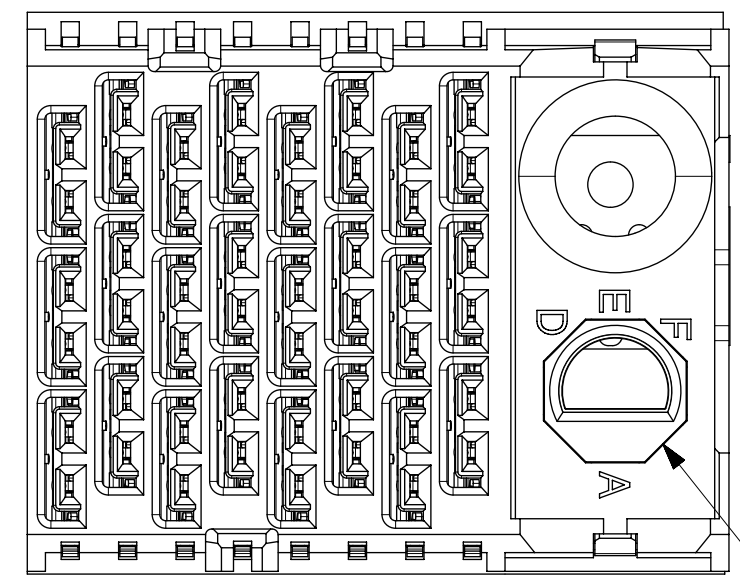
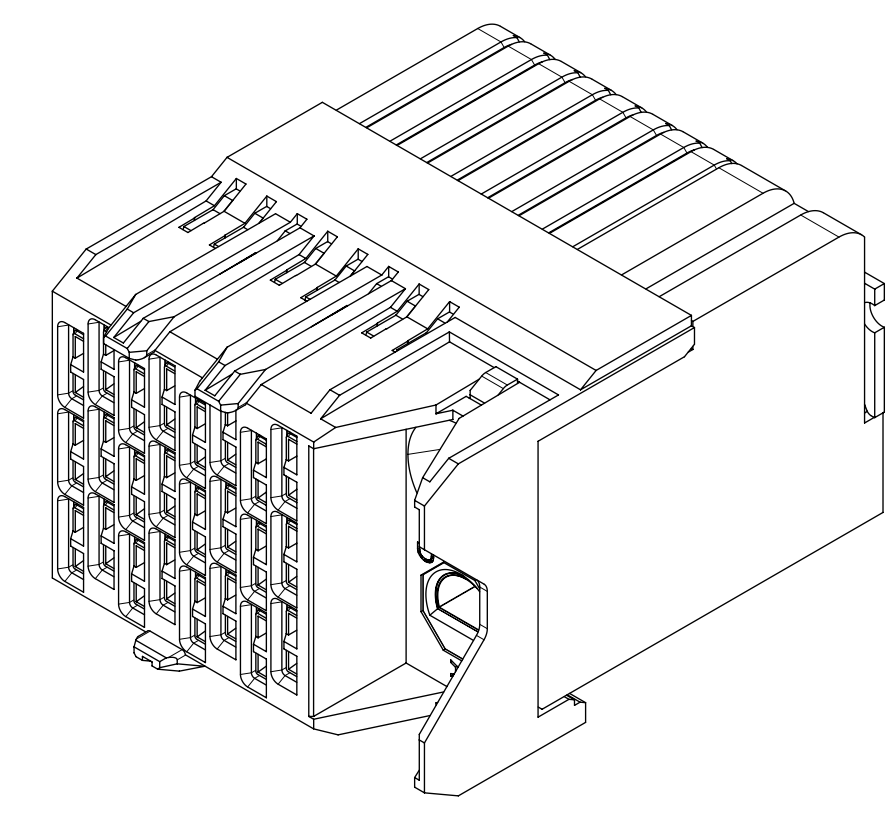


- NOTES:
1. MATERIALS: HOUSING - LIQUID CRYSTAL POLYMER (LCP) GLASS-FILLED, UL94V-0  
TERMINALS - HIGH PERFORMANCE COPPER ALLOY  
SELECTIVE TIN ON PCB TAILS.  
NICKEL OVERALL.
  2. FINISH: 30uIN GOLD IN CONTACT AREA.
  3. REFER TO MOLEX PRODUCT SPECIFICATION PS-171320-999 FOR PERFORMANCE SPECIFICATIONS.
  4. THIS PART CONFORMS TO CLASS B REQUIREMENTS OF MOLEX COSMETIC SPEC PS-45499-002.
  5. PRODUCT WILL BE PACKAGED PER PK-78888-083.
  6. SEE SHEET 2 FOR HOLE PATTERN DIMENSIONS.
  7. MATES WITH IMPEL BP SERIES NUMBER 171335.
  8. REFER TO IMPEL PCB ROUTING GUIDE AS-171320-990 FOR ANTIPAD, ROUTING RECOMMENDATIONS, AND ADDITIONAL PCB INFORMATION.
  9. WHEN STACKING MODULES END TO END, THE MINIMUM COLUMN TO COLUMN HOLE SPACING IS 2.65mm.
  10. CONNECTOR IS SUPPLIED WITH ONE 2-32 THREAD FORMING SCREW.



KEY SHOWN IN POSITION "A"

QUALITY SYMBOLS	THIS DRAWING CONTAINS INFORMATION THAT IS PROPRIETARY TO MOLEX ELECTRONIC TECHNOLOGIES, LLC AND SHOULD NOT BE USED WITHOUT WRITTEN PERMISSION											
▽ = 0	REMASTERED TO NX EC NO: 120778 DRWN: NSRVATSAHS CHKD: CYLIAW APP: DWLE01 REV: A	2017/08/10 2017/10/03 2017/10/14	GENERAL TOLERANCES (UNLESS SPECIFIED)		DIMENSION UNITS	SCALE						
▽ = 0			ANGULAR TOL ± 0.5 °		MM	4:1						
▽ = 0			4 PLACES ±		DRWN BY	DATE	IMPEL DAUGHTERCARD ASSY 3 PAIR - 1.9MM PITCH GUIDE RIGHT SALES DWG					
▼ = 0			3 PLACES ±		JLAURX	2012/12/11						
▽ = 0			2 PLACES ± 0.13		CHKD BY	DATE	PRODUCT CUSTOMER DRAWING					
⊠ = 0			1 PLACE ± 0.25		JLAURX	2012/12/11						
■ = 0			0 PLACES ±		DRAFT WHERE APPLICABLE MUST REMAIN WITHIN DIMENSIONS		DRAWING SIZE	THIRD ANGLE PROJECTION	SERIES	MATERIAL NUMBER	CUSTOMER	DOCUMENT NUMBER SD-171990-0004
▽ = 0			C				171990	SEE CHART	GENERAL MARKET	DOC TYPE	DOC PART	
			A						PSD	001		1 OF 2

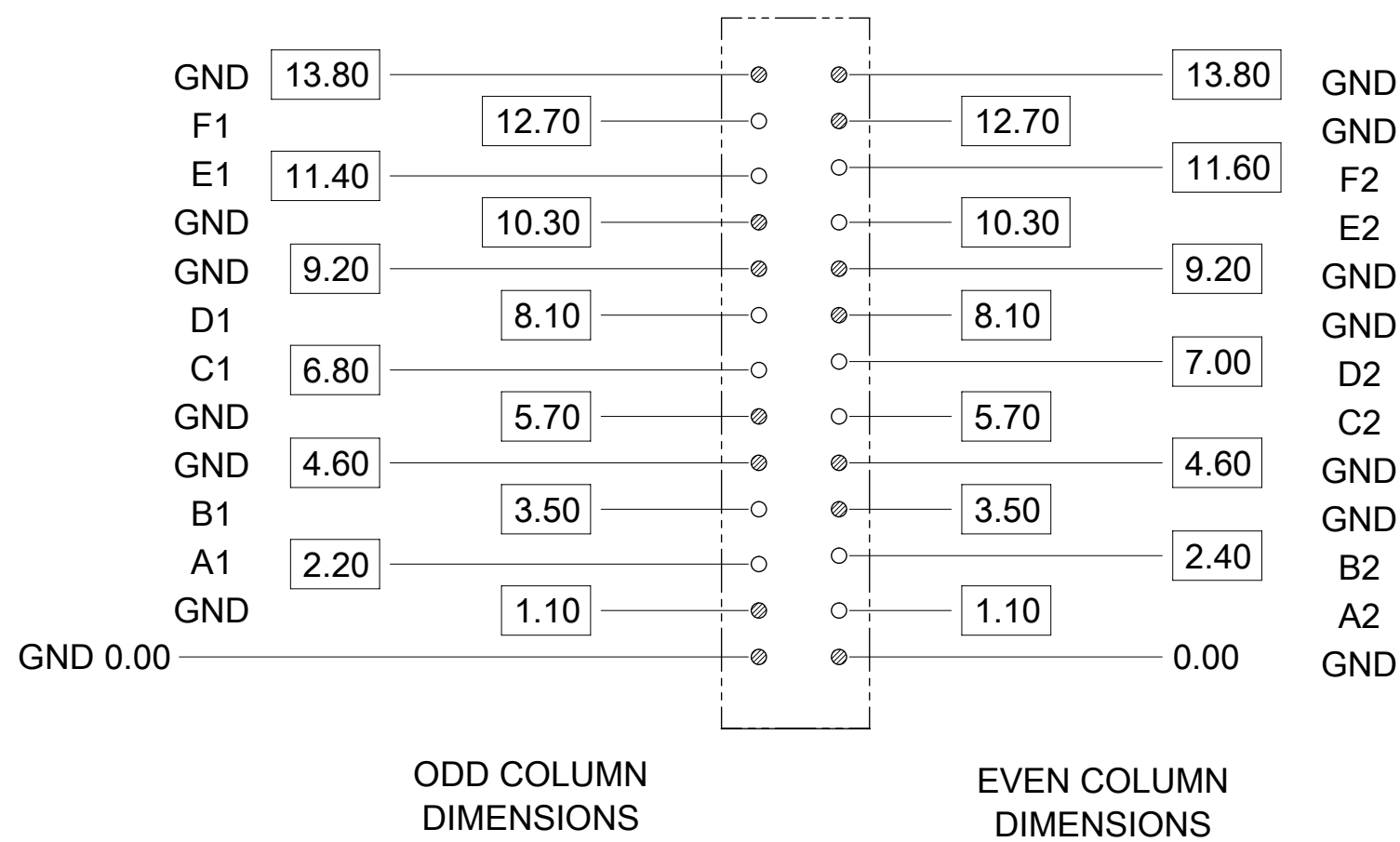
MATERIAL NUMBER	NUMBER OF COLUMNS	NUMBER OF DIFF PAIR	DIM "A"	DIM "B"
171990-5*38	8	24	23.40 MAX	13.30
171990-5*20	10	30	27.20 MAX	17.10
171990-5*26	16	48	38.60 MAX	28.50

**171990-5\*\*\***

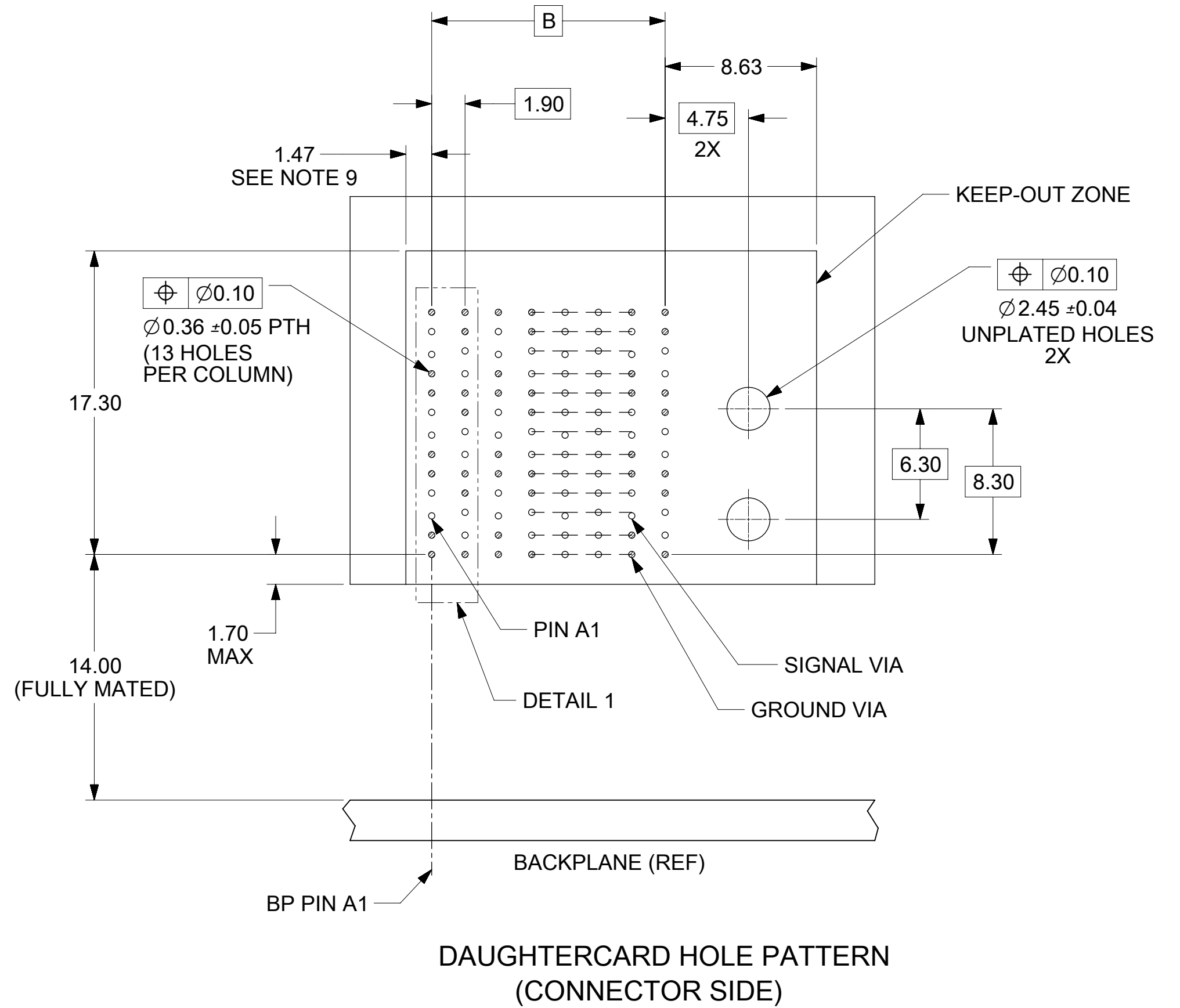
MODULE TYPE  
5 = GUIDE RIGHT

KEY ORIENTATION  
0 = NO KEY  
1 = A    5 = E  
2 = B    6 = F  
3 = C    7 = G  
4 = D    8 = H

COLUMN SIZE  
38 = 8 COLUMN  
20 = 10 COLUMN  
26 = 16 COLUMN



DETAIL 1  
SCALE 6:1



QUALITY SYMBOLS	THIS DRAWING CONTAINS INFORMATION THAT IS PROPRIETARY TO MOLEX ELECTRONIC TECHNOLOGIES, LLC AND SHOULD NOT BE USED WITHOUT WRITTEN PERMISSION		
▽ = 0	REMASTERED TO NX EC NO: 120778 DRWN: NSRVATSAHS CHKD: CYLIAW REV APPR: DWLEED1	GENERAL TOLERANCES (UNLESS SPECIFIED)	DIMENSION UNITS
▽ = 0		ANGULAR TOL ± 0.5 °	MM
▽ = 0		4 PLACES ±	SCALE
▽ = 0		3 PLACES ±	4:1
▽ = 0		2 PLACES ± 0.13	DRWN BY
▽ = 0	1 PLACE ± 0.25	JLAURX	DATE
▽ = 0	0 PLACES ±	2012/12/11	
□ = 0	DRAFT WHERE APPLICABLE MUST REMAIN WITHIN DIMENSIONS	CHKD BY	DATE
■ = 0		JLAURX	2012/12/11
▽ = 0		APPR BY	DATE
		JLAURX	2012/12/11
		DRAWING SIZE	THIRD ANGLE PROJECTION
		C	
		SERIES	MATERIAL NUMBER
		171990	SEE CHART
		CUSTOMER	GENERAL MARKET
		DOCUMENT NUMBER	DOC TYPE
		SD-171990-0004	PSD
		DOC PART	SHEET NUMBER
		001	2 OF 2