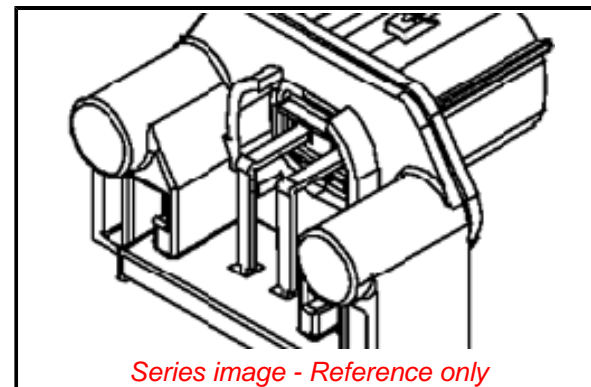


PLEASE CHECK WWW.MOLEX.COM FOR LATEST PART INFORMATION

Part Number: **0194270109**
Status: **Active**
Overview: MX150L Industrial Sealed Connector System
Description: 5.84mm Pitch MX150L Right-Angle PCB Header, Single Row, without PCB Flange, Gold (Au) Plated, 2 Circuits

Documents:

3D Model	Packaging Specification PK-19427-001-001 (PDF)
3D Model (PDF)	Brochure (PDF)
Drawing (PDF)	RoHS Certificate of Compliance (PDF)
Product Specification PS-19427-001-001 (PDF)	



Agency Certification

UL E152602

General

Product Family	PCB Headers
Series	<u>19427</u>
Application	Power, Wire-to-Board
Comments	IP67 rated; conforms to UL 1977. NOT suitable for automotive applications with requirements such as USCAR-2, USCAR-25, GMW3191, AK Testing, J2030, Volvo Technology Requirements, and Toyota Connector Spec (TCS)
Overview	<u>MX150L Industrial Sealed Connector System</u>
Product Name	MX150L
UPC	822348736201

Physical

Breakaway	No
Circuits (Loaded)	2
Circuits (maximum)	2
Durability (mating cycles max)	100
Flammability	94V-0
Glow-Wire Capable	No
Lock to Mating Part	Yes
Material - Plating Mating	Gold
Material - Plating Termination	Tin
Net Weight	19.632/g
Number of Rows	1
Orientation	Right Angle
PC Tail Length	3.30mm
PCB Locator	Yes
PCB Retention	None
PCB Thickness - Recommended	1.60mm
Packaging Type	Tray
Pitch - Mating Interface	5.84mm
Polarized to Mating Part	Yes
Polarized to PCB	No
Shrouded	Fully
Stackable	No
Surface Mount Compatible (SMC)	No
Temperature Range - Operating	-40° to +125°C
Termination Interface: Style	Through Hole

Electrical

Current - Maximum per Contact 18.0A

EU ELV

Not Relevant

EU RoHS

Not Reviewed

REACH SVHC

Not Contained Per - ED/108/2014 (17 Dec 2014)

Halogen-Free

Status

Low-Halogen

For more information, please visit [Contact US](#)

China ROHS

Not Relevant

ELV

Not Relevant

RoHS Phthalates

Not Reviewed

Search Parts in this Series

19427 Series

Mates With

19418 Receptacle Assemblies

Voltage - Maximum

600V

Material Info

Reference - Drawing Numbers

Packaging Specification

PK-19427-001-001

Product Specification

PS-19427-001-001

Sales Drawing

SD-19427-018

This document was generated on 07/27/2021

PLEASE CHECK WWW.MOLEX.COM FOR LATEST PART INFORMATION