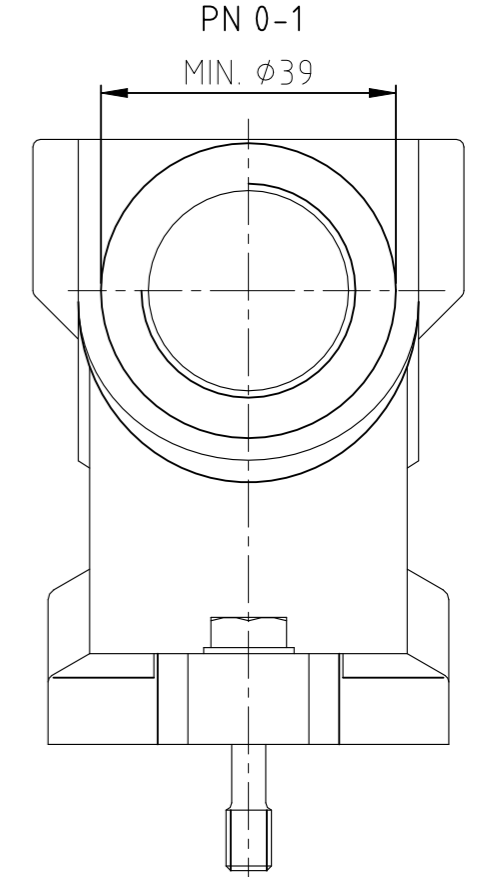
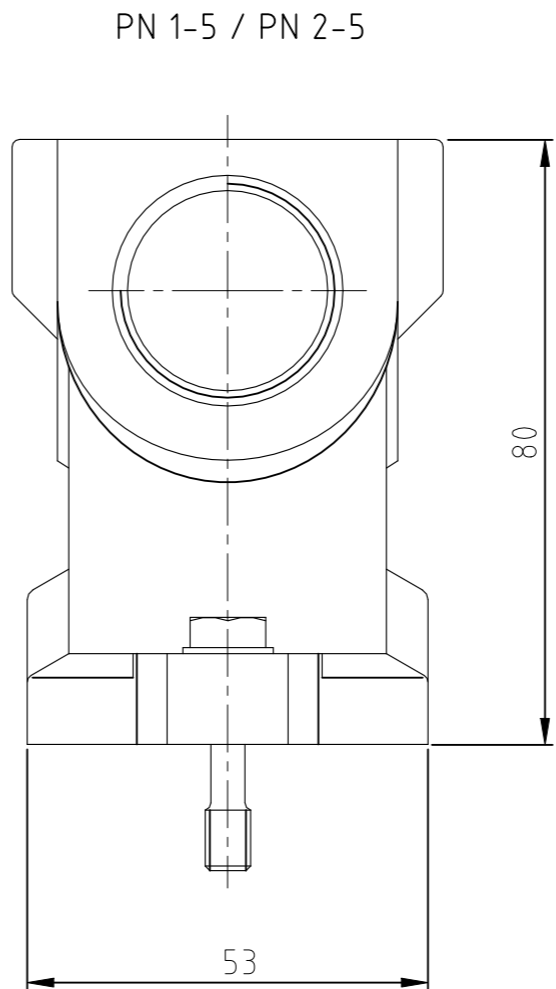
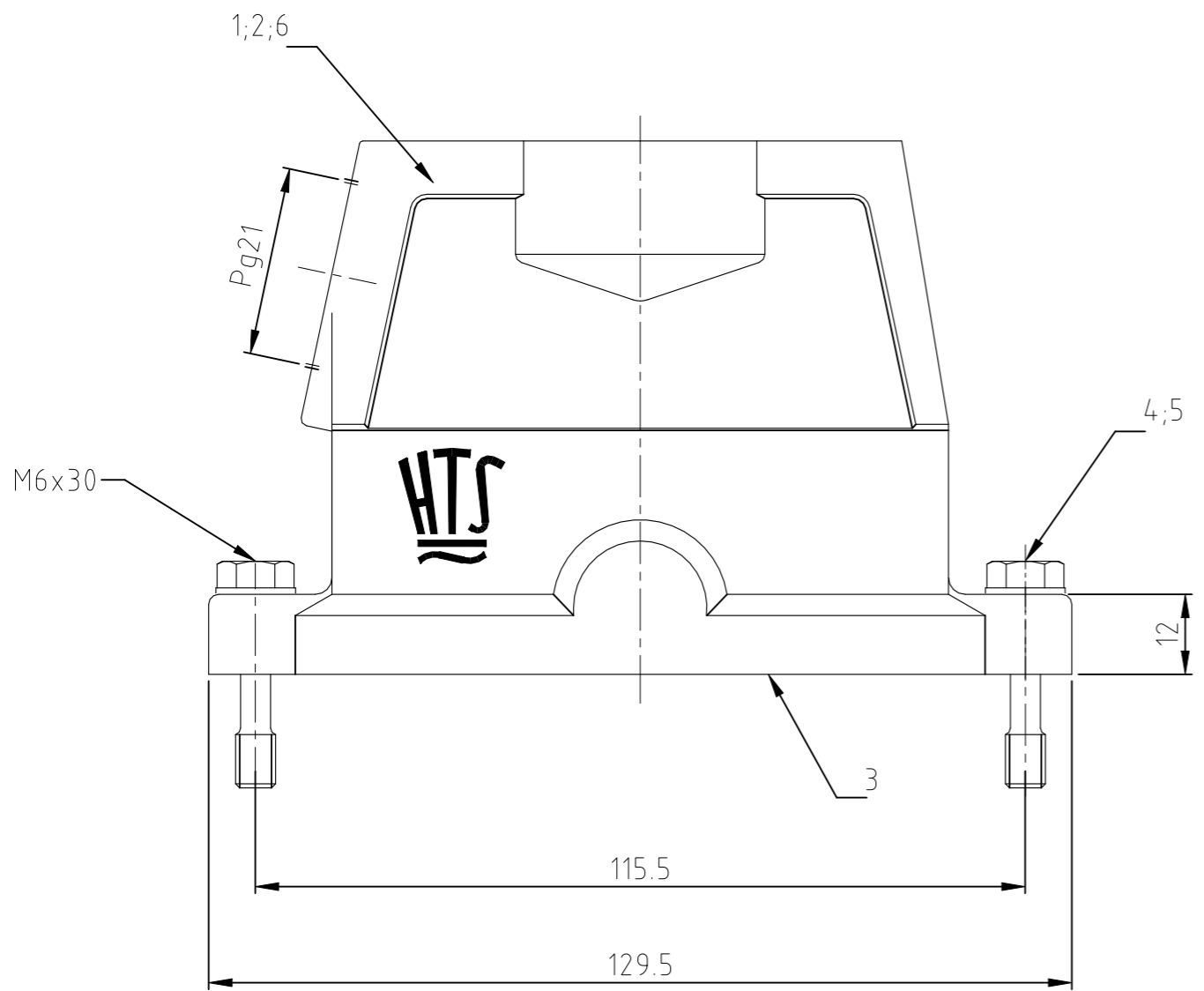


© 2022 TE Connectivity All Rights Reserved. VERTRAULICHE UNVERÖFFENTLICHTE ZEICHNUNG

FREI FUER VERÖFFENTLICHUNG ALLE RECHTE VORBEHALTEN

| REVISIONS | | | | | |
|------------|-----|---------------|-----------|-----|------|
| ÄNDERUNGEN | | | | | |
| P | LTR | DESCRIPTION | DATE | DWN | APVD |
| | A4 | ECR-21-123464 | 30JUN2022 | RK | JB |



- Notes
- ① Material: Housing: aluminium diecasting alloy
 - ② Surface: - grey
- aluminium oxid +
Varnish black
 - ③ Varnish on the inside not necessarily
 - ④ OBSOLETE

| QTY | DESCRIPTION/BENENNUNG | MATERIAL | SURFACE/OBERFLÄCHE | COLOR/FARBE | ITEM No. | |
|-----|-----------------------|---------------|--------------------|---------------|----------|-------|
| 1 | Steckergehäuse HIP-K | aluminium/ALU | Aluminium oxid | black/schwarz | 6 | |
| 2 | Scheibe | V2A | blank | | 5 | B6,4 |
| 2 | Befestigungsschraube | V2A | blank | | 4 | M6x30 |
| 1 | Dichtung BG6 | Neoprene | - | black/schwarz | 3 | - |
| 1 | Steckergehäuse HIP-K | aluminium/ALU | Aluminium oxid | black/schwarz | 2 | - |
| 1 | Steckergehäuse HIP | aluminium/ALU | - | grey/grau | 1 | - |
| 0-1 | 2-5 | 1-5 | | | | |

| | | | | | | |
|-------------|--|----------------|--------------|----------------------------------|--------------------------|------|
| DESCRIPTION | THIS DRAWING IS A CONTROLLED DOCUMENT. DIESE ZEICHNUNG IST EIN KONTROLLIERTES DOKUMENT. | | DWN | 31.10.02 | TE Connectivity | |
| | DIMENSIONS: MASSENEHTEIN: mm | | CHK | 31.10.02 | | |
| | TOLERANCES UNLESS OTHERWISE SPECIFIED: ALLGEMEINTOLERANZEN | | APVD | - | | NAME |
| | | | PRODUCT SPEC | - | | HOOD |
| MATERIAL | FINISH/OBERFLÄCHE/FARBE | WEIGHT GEWICHT | - | APPLICATION SPEC | VERARBEITUNGSSPEZ. | |
| | | | | SIZE | A3 | |
| | | | | CAGE CODE | 00779 | |
| | | | | DRAWING NO | ZEICHNUNGS-NR. C-1102649 | |
| | | | | RESTRICTED TO | NUR FUER | |
| | | | | CUSTOMER DRAWING/KUNDENZEICHNUNG | | |
| | | | | SCALE | MASSTAB 1:1 | |
| | | | | SHEET | BLATT 1 | |
| | | | | OF | VON 1 | |
| | | | | REV | A4 | |