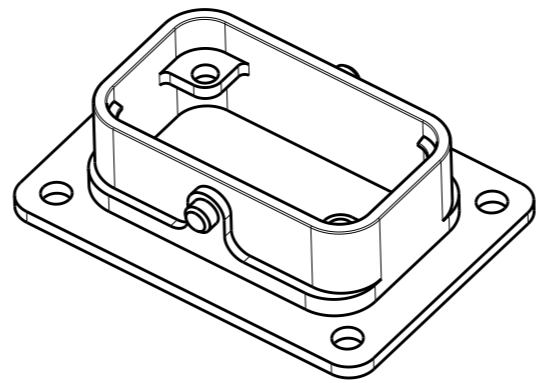
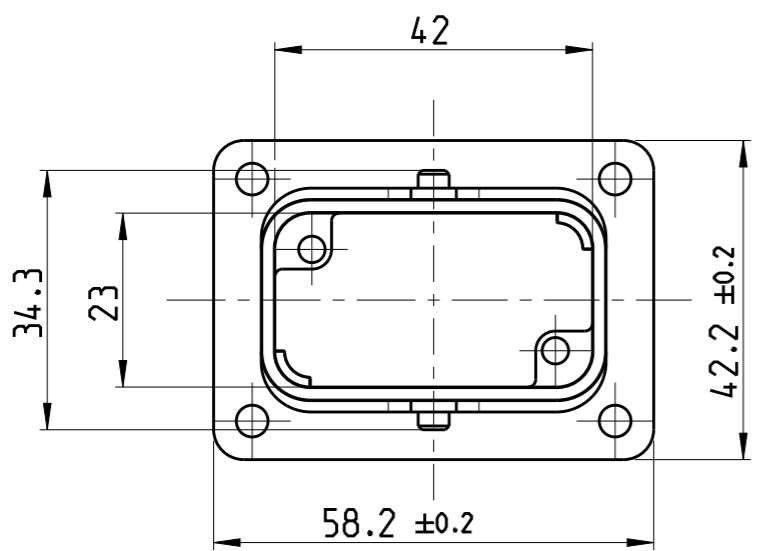
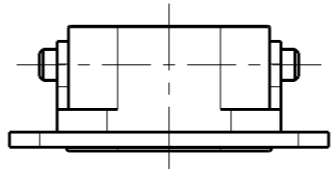
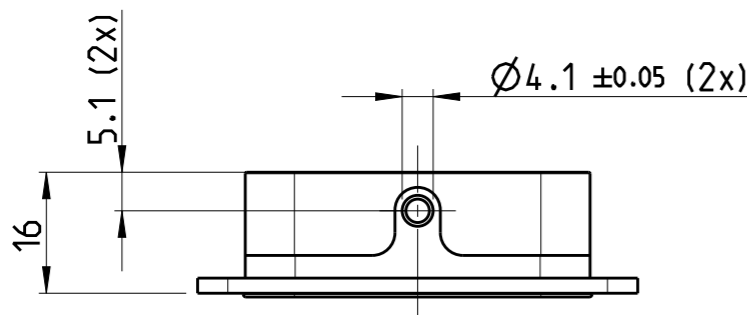
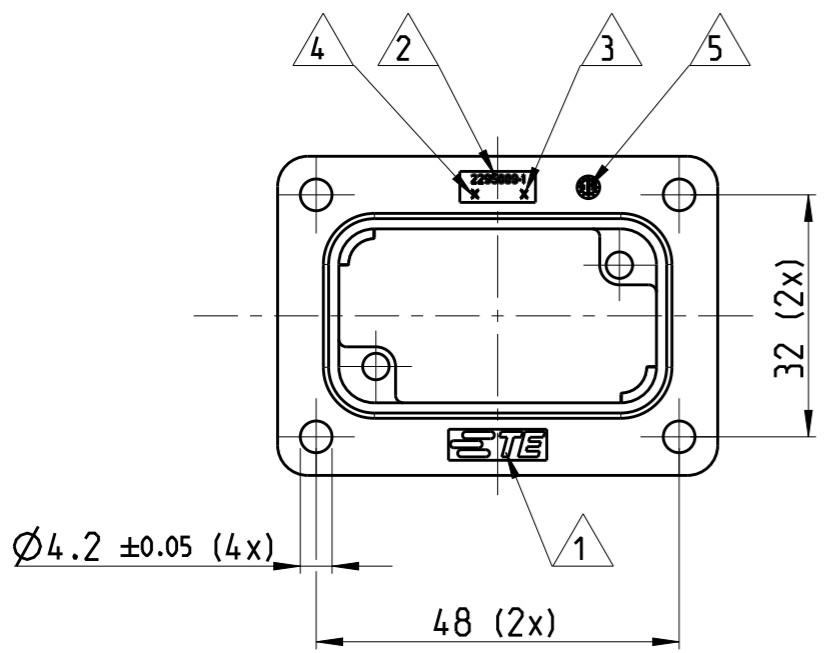


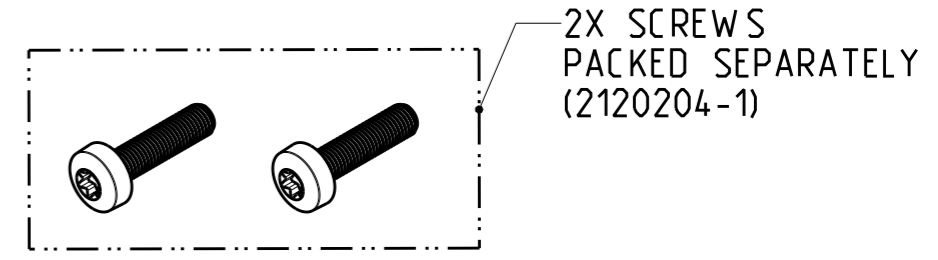
THIS DRAWING IS UNPUBLISHED
 VERTRAULICHE UNVEROFFENTLICHTE ZEICHNUNG
 © COPYRIGHT 2016 BY TE Connectivity Germany GmbH
 RELEASED FOR PUBLICATION
 FREI FUER VEROFFENTLICHUNG
 2016
 ALL RIGHTS RESERVED.
 ALLE RECHTE VORBEHALTEN.

MATED WITH:
 PASSEND ZU:
 PROJEKT NR.:
 PRJ-15-000002023

P	LTR	DESCRIPTION BESCHREIBUNG	DATE	DWN	APVD
	A1	DRAWING ACTIVATED	19MAY2016	ER	DO
	A2	ZONE B/4: DIM. 34.3 WAS 34.4 (PCN E-16-010407)	19JUL2016	ER	DO
	B	REVISED PER ECR-20-012871	17SEP2020	GK	OD



- 1 TE LOGO
- 2 TE PART NO.
- 3 CURRENT TE REVISION LETTER
- 4 MOLD CAVITY IDENTIFICATION NUMBER
- 5 PRODUCTION DATE CLOCK
- 6 RECOMMENDED SCREW M4
- 7 PACKAGING: 25 PIECES ARE IN ONE TRAY.
6 FILLED TRAYS ARE PACKED IN A TE NEUTRAL PAPER BOX.
MAX. WEIGHT PER BOX: 8 KG



2295889-1	SHROUD, METAL	Ni-PLATED	ZP0410
TE CONNECTIVITY ORDER NO.	DESCRIPTION	SURFACE	MATERIAL
		COLOUR	

-1 AS SHOWN

TOLERANCING ISO 8015
 GEOMETRIC TOLERANCING ISO 1101
 SIZE ISO 14405
 GENERAL TOLERANCES ISO 2768-K

DIESE ZEICHNUNG IST EIN KONTROLLIERTES DOKUMENT.
 BEMASSUNGEN UND TOLERANZEN GEMAESS GPS (ISO STANDARDS).

THIS DRAWING IS A CONTROLLED DOCUMENT.
 DIMENSIONING AND TOLERANCING PER GPS (ISO STANDARDS).

DIMENSIONS: MASSEINHEITEN: MM	TOLERANCES UNLESS OTHERWISE SPECIFIED: ALLGEMEINTOLERANZEN
0 PLC ±0.1	1 PLC ±0.1
1 PLC ±0.1	2 PLC ±0.1
2 PLC ±0.1	3 PLC ±
3 PLC ±	4 PLC ±
4 PLC ±	ANGLES/WINKEL ±1°
MATERIAL	FINISH/OBERFLAECHE/FARBE
-	-
-	-

DWN E. REISS 01OCT2015	 TE Connectivity	NAME SHROUD, METAL KRAGEN, METALL	RESTRICTED TO NUR FUER -
CHK KANG INGON 01OCT2015			
APVD ONDREJ DUSAN 01OCT2015			
PRODUCT SPEC PRODUKTSPEZ. -			
APPLICATION SPEC VERARBEITUNGSSPEZ. -	SIZE A3	CAGE CODE 00779	DRAWING NO ZEICHNUNGS-NR. G=2295889
WEIGHT GEWICHT 46.36g	Customer Drawing	/KUNDENZEICHNUNG	SCALE MASSSTAB 5:1
		SHEET BLATT 1 OF VON 1	REV B