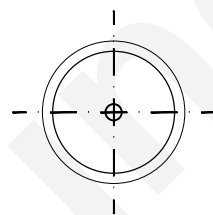
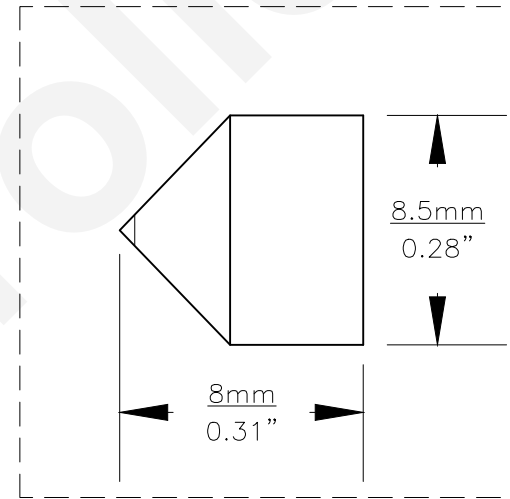
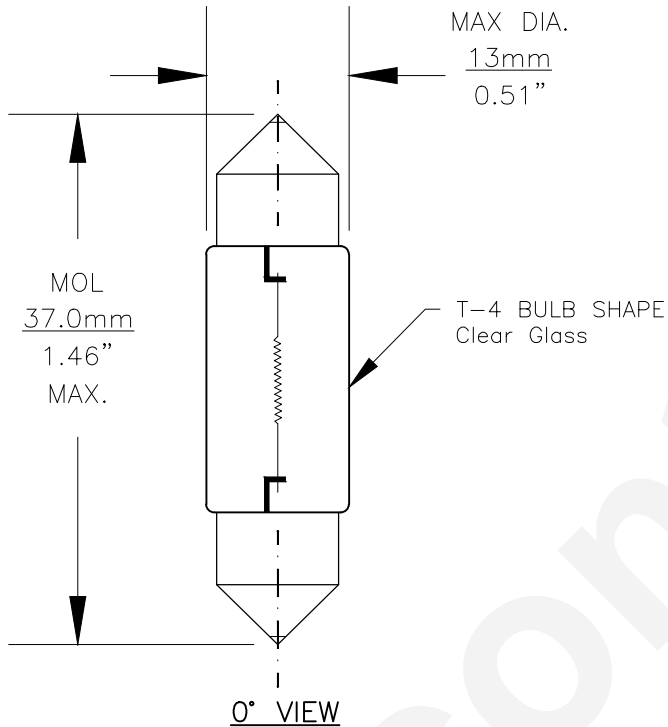




PART NO.	BASE TYPE	DESIGN VOLTS	DESIGN AMPS	MSCD	FILAMENT TYPE	AVERAGE LIFE HOURS	REVISIONS			
							REV #	DESCRIPTION	DATE	APPROVED
3425	FESTOON CAP (SV8.5)	13V	0.77±10%	9.55±20%	C-8	400	1	ISSUED	04/04/2016	R.M.
							2	REVISED VOLTS/AMPS & BASE TYPE	02/09/2017	R.M.



Note: Made according to SAE specifications

UNLESS OTHERWISE SPECIFIED: DIMENSIONS ARE IN INCHES TOLERANCES		CEC INDUSTRIES LTD			
DECIMALS	ANGULAR	599 BOND STREET		LINCOLNSHIRE, IL 60069	
.XX ± .05	± 0.5°				
.XXX ± .010					
FRACTIONAL	± 1/64				
DRAWN ROSE MEDINA	DATE 04/04/2016	TITLE LIGHT BULB NO. 3425			
CHECKED		SIZE A	FSCM NO.	DWG NO. 3425	REV 2
DESIGN		SCALE	PLOT SCALE	SHEET 1 OF 1	
MATERIAL		FILE 3425.pdf	DRAWING NOT TO SCALE		