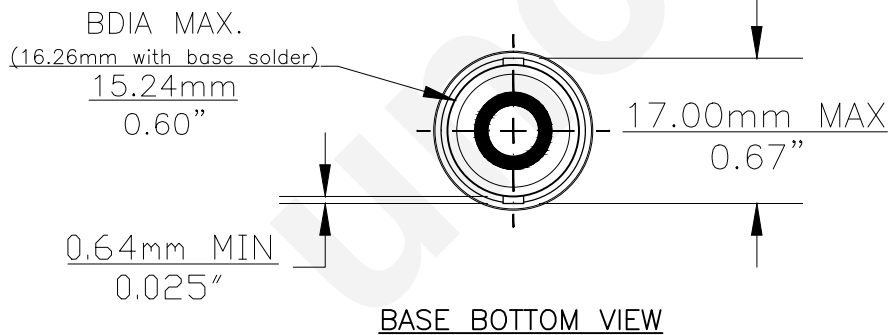
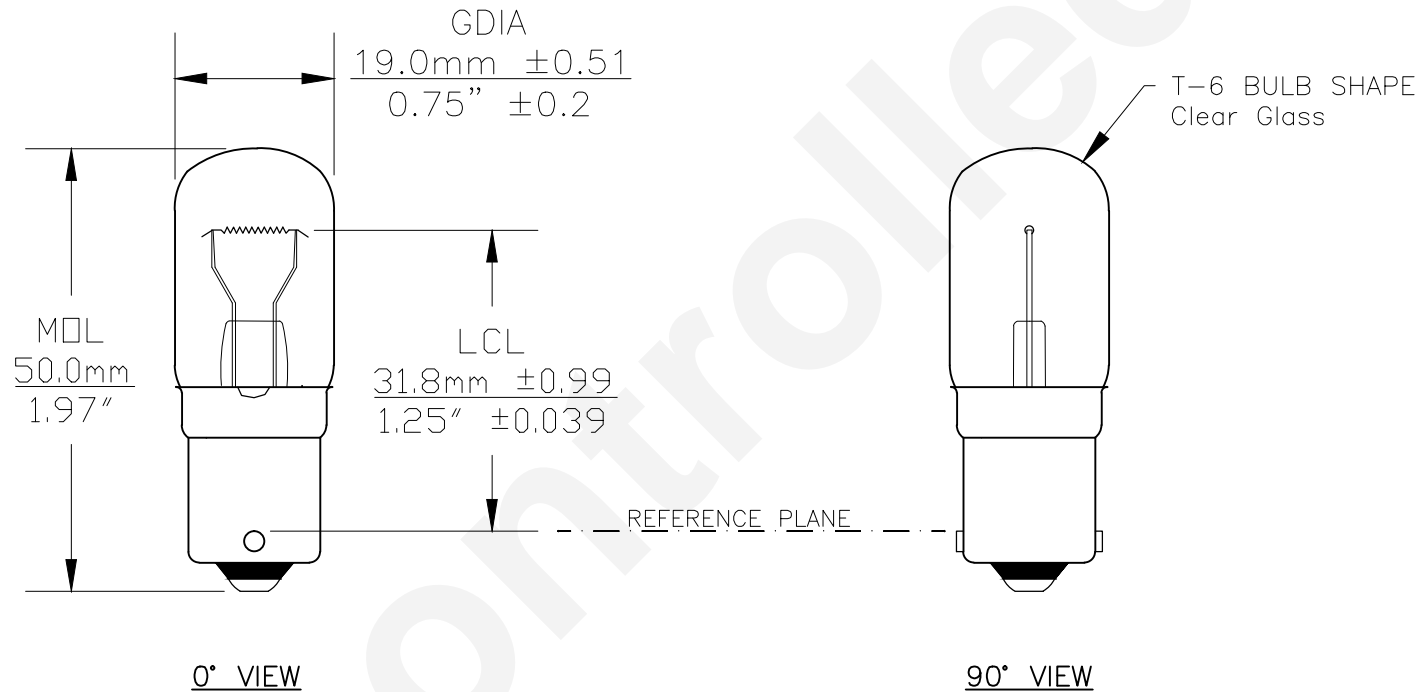




PART NO.	BASE TYPE	DESIGN VOLTS	DESIGN AMPS	MSCD	FILAMENT TYPE	AVERAGE LIFE HOURS
3497	S.C. Bayonet (BA15s)	12.8V	2.1 ±5%	45±20%	C-6	600

REVISIONS			
REV #	DESCRIPTION	DATE	APPROVED
1	ISSUED	11/02/2000	E.S.
2	REDRAWN	10/30/2008	D.C.
3	REDRAWN, FOR ADDITIONAL VIEW	11/05/2014	R.M.



Note: Made according to SAE specifications



UNLESS OTHERWISE SPECIFIED: DIMENSIONS ARE IN INCHES TOLERANCES		CEC INDUSTRIES LTD	
DECIMALS	ANGULAR	599 BOND STREET LINCOLNSHIRE, IL 60069	
.XX ± .05	± 0.5°		
.XXX ± .010			
FRACTIONAL	±1/64		
DRAWN ELIZABETH SONANES	DATE 11/02/2000	TITLE LIGHT BULB NO. 3497	
CHECKED		SIZE A	REV 3
DESIGN		FSCM NO.	DWG NO. 3497
MATERIAL		SCALE	PLOT SCALE
		FILE 3497.pdf	SHEET 1 OF 1
		DRAWING NOT TO SCALE	