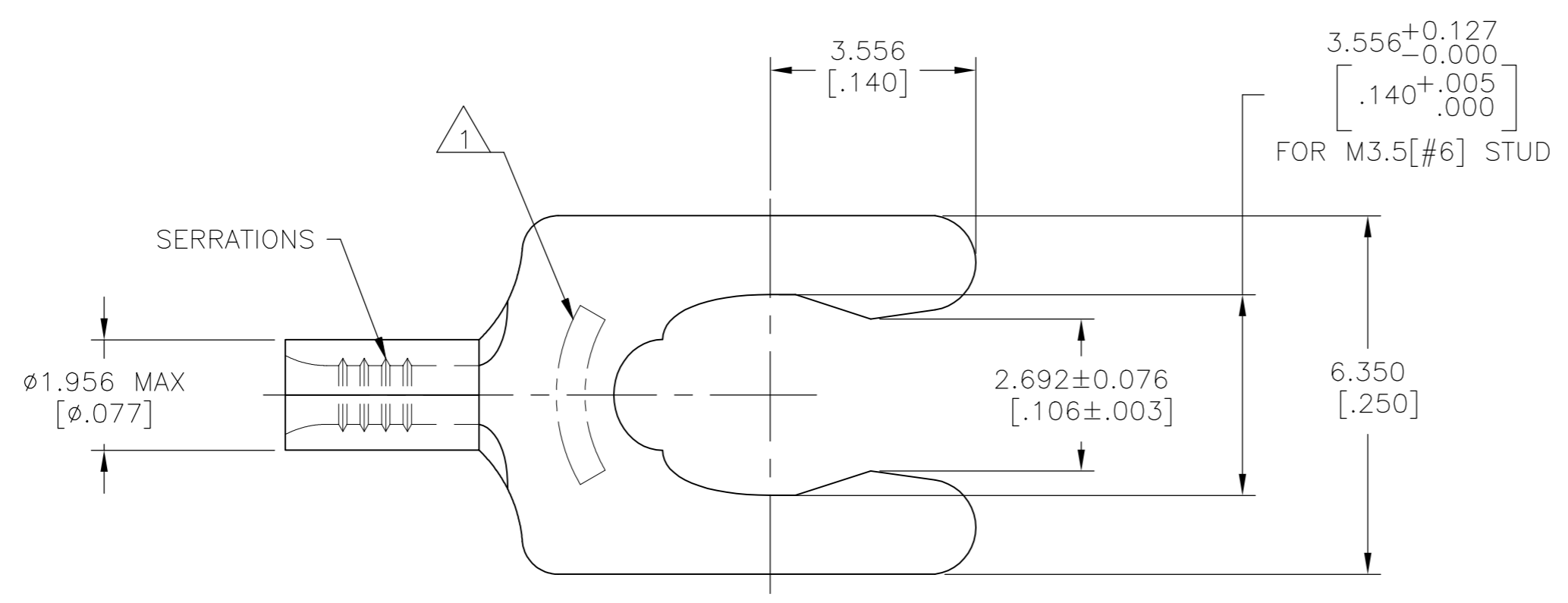


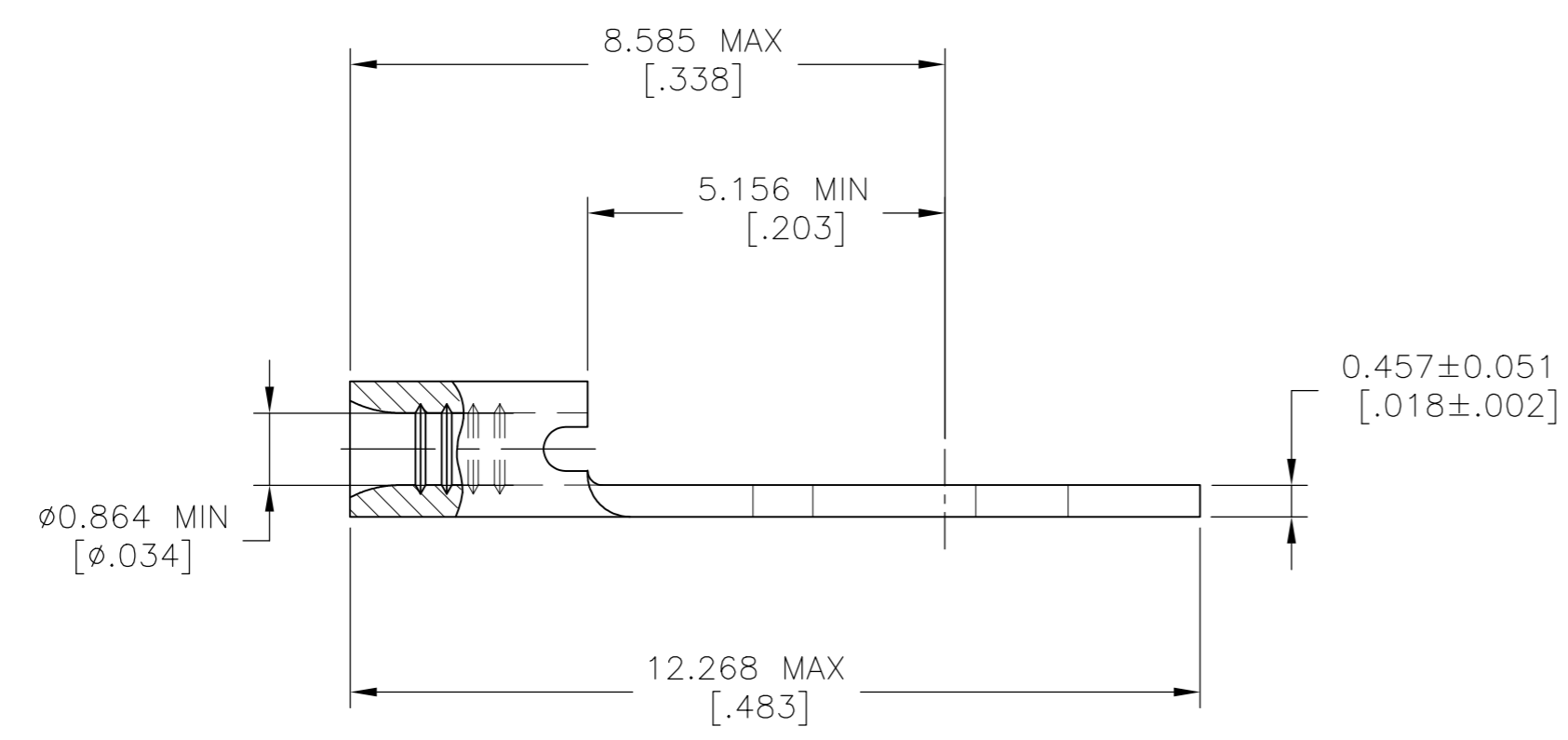
THIS DRAWING IS UNPUBLISHED. RELEASED FOR PUBLICATION
 © COPYRIGHT - TE Connectivity Ltd. ALL RIGHTS RESERVED.

REVISIONS					
P	LTR	DESCRIPTION	DATE	DWN	APVD
	O	DRAWN PER 0G3A-0027-03	23JAN03	-	DAP
	A	REVISED PER ECO-17-008806	23FEB2018	RS	DR



AMP WIRE RANGE	E13288 Listed
26-22 AWG STRANDED	NOT LISTED
LR7189 Certified	MILITARY P/N AND CLASS
NOT CERTIFIED	NOT APPLICABLE

- 1 STAMP 6S AMP APPROX AS SHOWN
6S INDICATES STUD SIZE
- 2 NOTE DELETED



500	LOOSE PIECE	53003-1
QUANTITY	PACKAGE TYPE	PART NO

AMP INCORPORATED CUSTOMER SERVICE SYSTEMS			THIS DRAWING IS A CONTROLLED DOCUMENT.			DWN 23JAN03 JR RUTH		
FOR ADDITIONAL PRODUCT INFORMATION OR COPIES OF DRAWINGS AND TECHNICAL DOCUMENTS			MAX RECOMMENDED OPERATING TEMPERATURE: 170°C [338°F] MAX			CHK 2-10-93 DA PATTERSON		
PRODUCT INFORMATION CENTER 1-800-522-6752			VOLTAGE RATING: NOT APPLICABLE			APVD 2-10-93 JL MECKLEY		
FOR APPLICATION TOOLING ASSISTANCE CENTER			WIRE CROSS SECTIONAL AREA RANGE, 0.1-0.41mm ² [202-810] CIR MILS STRANDED			NAME		
TOOLING INFORMATION 1-800-722-1111			MATERIAL PHOSPHOR BRONZE PER ASTM B-103 ANNEALED			TERMINAL, SHORT SPRING SPADE, BUDGET 26-22 AWG		
FOR ORDER ENTRY 1-800-526-5142			FINISH TIN PLATE 0.00254[.000100] MIN THK PER ASTM B545			SIZE CAGE CODE DRAWING NO RESTRICTED TO		
						A2 00779 C-53003		
						CUSTOMER DRAWING SCALE 10:1 SHEET 1 of 1 REV A		