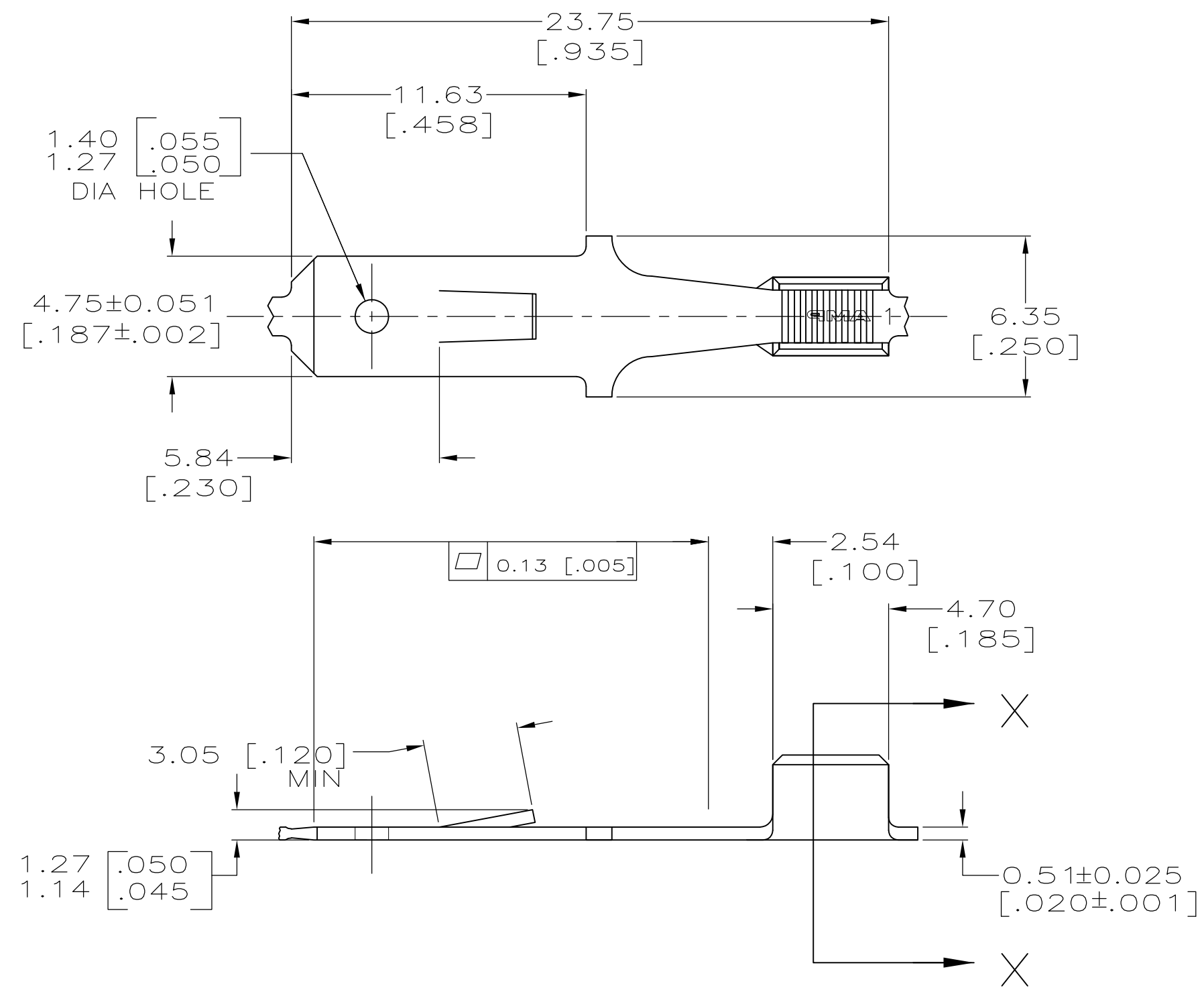
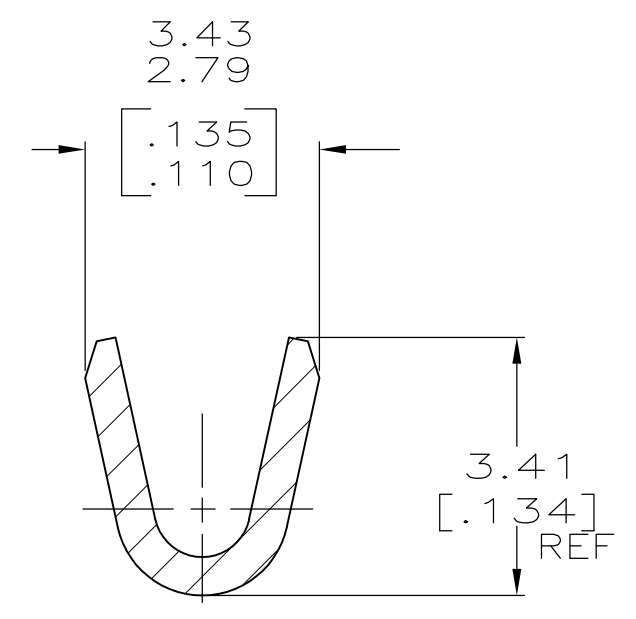


THIS DRAWING IS UNPUBLISHED. RELEASED FOR PUBLICATION  
 © COPYRIGHT - By - ALL RIGHTS RESERVED.

LOC	DIST	REVISIONS			
P	LTR	DESCRIPTION	DATE	DWN	APVD
AF	50	F	REVISED PER ECR-13-005733	27AUG2013	KH PD



- 1 CONTINUOUS STRIP ON REELS.
- △ 2 WIRE SIZE IS [#21-#16] MAGNET WIRE.
- 3 REVERSE REELING OF 62731-1.
- △ 4 OBSOLETE PARTS: OBSOLETE CIS STREAMLINING PER D.RENAUD/D.SINISI



SECTION X-X  
SCALE 10:1

△ 4 OBSOLETE	-62731-2-
	62731-1
	PART NO.

THIS DRAWING IS A CONTROLLED DOCUMENT.		DWN	JR RUTH	12/17/98	TE Connectivity		
DIMENSIONS: mm [INCHES]		CHK	MS FEHER	12/17/98			
TOLERANCES UNLESS OTHERWISE SPECIFIED:		APVD	S UNGER	12/17/98	NAME		
0 PLC	± -	PRODUCT SPEC		TAB, FASTIN-FASTON, AMPLIVAR, 4.75 [.187] SERIES			
1 PLC	± -	APPLICATION SPEC		SIZE			
2 PLC	± 0.25 [.010]	MATERIAL		CAGE CODE		DRAWING NO	
3 PLC	± -	FINISH		A300779		C-62731	
4 PLC	± -	0.002032 [.000080] MIN TIN		WEIGHT		RESTRICTED TO	
ANGLES	± -	CUSTOMER DRAWING		-		-	
		SCALE		5:1		SHEET	
		1 OF 1		REV		F	