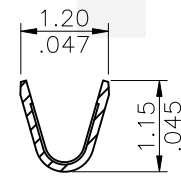
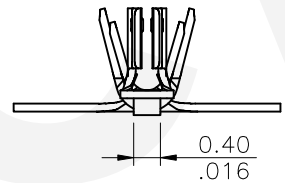


Wire Range	Insulation Diameter	Reel Q'ty
AWG #28~#32	0.4~0.8(mm)	16,000 PCS.

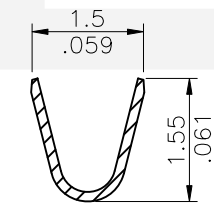
Ordering Code:

CI11 T01 \* P P 0  
 ① ② ③ ④ ⑤ ⑥

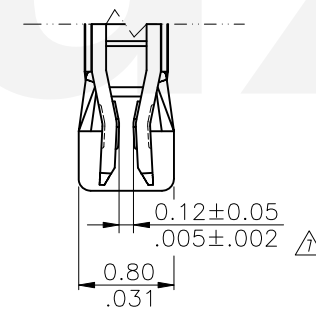
- ① Series No.
- ② Type: T01= AWG #28~ #32
- ③ Plating: 1= 2.03μm(80μ") Min. Tin over 0.76μm(30μ") Nickel  
 2= Gold Flash plated over 1.27μm(50μ") Nickel
- ④ Material: P= Phosphor Bronze
- ⑤ Plating method: P= Post plating
- ⑥ Option: 0= Standard



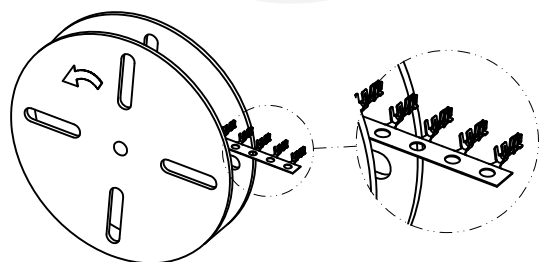
SEC. A-A  
SCALE 10/1



SEC. B-B  
SCALE 10/1



DETAIL C  
SCALE: 15/1



電鍍後捲料方向

RoHS Compliant

SYM	NAME	DATE	REVISIONS	APPROVED BY:	Eisley	1/9-20'	UNIT: mm / inch	TITLE: FOR CI11 SERIES CRIMP TERMINAL	瀚荃股份有限公司 CviLux Corporation
⑧	Sun	1/08-20'	ECRH119067/ECRH19067				UNIT: mm / inch		
⑦	Enya	8/14-13'	ECNT113038	DRAWN BY:	Sun	1/8-20'	TOLERANCE UNLESS OTHERWISE SPECIFIED		
⑥	Hank	2/25/09'	ECN09081	ENGINEER:	Sun	1/8-20'	.X ± 0.30/.012 X' ± 1'	MATERIAL:	
⑤	Sandy	8/22-07'	ECN07330/ECR07047-2	CHECKED BY:	Eisley	1/9-20'	.XX ± 0.20/.008 .X' ±	FINISH:	
				APPROVED BY:	Eisley	1/9-20'	.XXX ± 0.10/.004 .XX' ±		DRAWING NO. <b>CI1105SI</b> PART NO. <b>CI11T01*PPO</b> SCALE 7 / 1 SHEET 1 OF 1

