



3 dBi DualBand Rubber Duck Portable Antenna 698-2700 MHz SMA Connector

Antennas Technical Data Sheet

PE51RD1027

Features

- IP67 Ruggedized Waterproof Design
- 0 to 4 dBi gain
- Rigid SMA Male Connector

Applications

- Infotainment Systems, Routers, WiFi Hotspots, HD Video Transmission, Gateways, Dash Cameras, Public Transportation
- Connected Cars or Self-Driving Cars, Fleet Management, Logistics
- 4G & 5G Networks
- 700, 850, 900, 1800, 1900, 2100, 2600 MHz Bands
- IoT, Cellular, Zigbee, Z-Wave, Bluetooth

Description

The PE51RD1027 4G Rubber Duck Antenna from Pasternack is a high performance omnidirectional “rubber-duck” antenna. This rubber duck is designed for the 698 MHz to 2700 MHz bands and is available to ship same day. It features a RIGID SMA-Plug (male) connector. This straight SMA allows the PE51RD1027 to be mounted directly to terminals and other fixed radios. It is a coaxial sleeve design with an omni-directional pattern. The PE51RD1027 is ideally suited for 4G, LTE, IoT, Zigbee, Z-Wave and Bluetooth bands.

The Pasternack high performance rubber-duck PE51RD1027 is a rubber coated RIGID antenna providing broad coverage and 3 dBi gain. This SMA male rubber duck is suitable for commercial radios in public and private 4G and Cellular networks that are equipped with SMA female connectors. Pasternack’s PE51RD1027 supports 700, 800, 850, 900, 1800, 2100, 2400, and 2600 MHz bands.

This 4G 698 MHz to 2700 MHz rubber duck antenna with a SMA male connector, as well as our wide selection of superior quality RF parts, ships same day. Contact our knowledgeable and friendly technical support and sales staff for your answers on antennas or other Pasternack products.

Configuration

Design	Portable
Band Type	Dual
Radiation Pattern	Omni Directional
Wavelength	1/2
Polarization	Vertical
Connector Type	SMA Male

Electrical Specifications

Description	Minimum	Typical	Maximum	Units
Frequency Range	698		2.7	MHz
Input VSWR		2:1	4.5:1	
Impedance		50		Ohms
Gain	1	3		dBi
Horizontal (Azimuth) Beam Width		Omnidirectional		
Vertical (Elevation) Beam Width		45		Degrees
Input Power			5	Watts

Click the following link (or enter part number in “SEARCH” on website) to obtain additional part information including price, inventory and certifications: [3 dBi DualBand Rubber Duck Portable Antenna 698-2700 MHz SMA Connector PE51RD1027](#)



3 dBi DualBand Rubber Duck Portable Antenna
698-2700 MHz SMA Connector

Antennas Technical Data Sheet

PE51RD1027

Specifications by Band

Description	Band 1	Band 2	Band 3	Band 4	Band 5	Units
Range	698-960	1,710-2,700				MHz
Gain	1	3				dBi
Horizontal Beam Width	360	360				Degrees
Vertical Beam Width	60	45				Degrees
VSWR Max	4.5:1	2:1				

Mechanical Specifications

Radome Material	PU
Width	0.39 in [9.91 mm]
Height	2.1 in [53.34 mm]
Weight	0.19 lbs [86.18 g]

Environmental Specifications

Temperature

Operating Range	-20 to +65 deg C
Storage Range	-30 to +70 deg C

Environment	Waterproof
Humidity	95%
ESD Protection	IP67

Compliance Certifications (see [product page](#) for current document)

Plotted and Other Data

Notes:

Click the following link (or enter part number in "SEARCH" on website) to obtain additional part information including price, inventory and certifications: [3 dBi DualBand Rubber Duck Portable Antenna 698-2700 MHz SMA Connector PE51RD1027](#)



3 dBi DualBand Rubber Duck Portable Antenna
698-2700 MHz SMA Connector

Antennas Technical Data Sheet

PE51RD1027

3 dBi DualBand Rubber Duck Portable Antenna 698-2700 MHz SMA Connector from Pasternack Enterprises has same day shipment for domestic and International orders. Our RF, microwave and millimeter wave products maintain a 99.4% availability and are part of the broadest selection in the industry.

Click the following link (or enter part number in "SEARCH" on website) to obtain additional part information including price, inventory and certifications: [3 dBi DualBand Rubber Duck Portable Antenna 698-2700 MHz SMA Connector PE51RD1027](https://www.pasternack.com/dual-antenna-698-mhz-2.7-ghz-3-dbi-gain-sma-pe51rd1027-p.aspx)

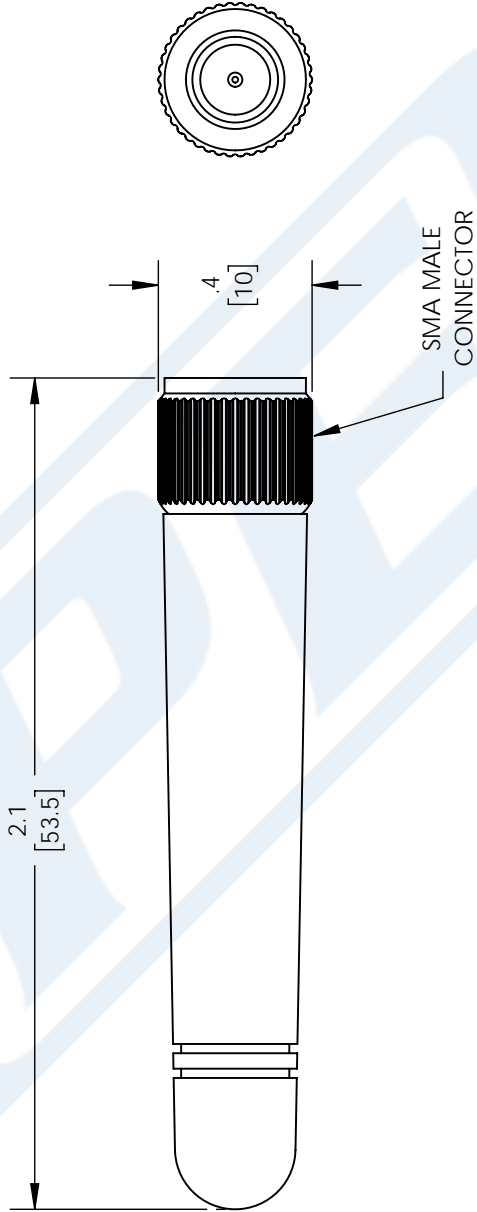
URL: <https://www.pasternack.com/dual-antenna-698-mhz-2.7-ghz-3-dbi-gain-sma-pe51rd1027-p.aspx>

The information contained in this document is accurate to the best of our knowledge and representative of the part described herein. It may be necessary to make modifications to the part and/or the documentation of the part, in order to implement improvements. Pasternack reserves the right to make such changes as required. Unless otherwise stated, all specifications are nominal. Pasternack does not make any representation or warranty regarding the suitability of the part described herein for any particular purpose, and Pasternack does not assume any liability arising out of the use of any part or documentation.

PE51RD1027 CAD Drawing

3 dBi DualBand Rubber Duck Portable Antenna 698-2700 MHz SMA Connector

REVISIONS			
REV.	DESCRIPTION	DATE	APPROVED
A	INITIAL RELEASE	10/08/2020	KHIETPAS



UNLESS OTHERWISE SPECIFIED LEADING DIMENSIONS ARE INCHES DIMENSIONS IN [] ARE MILLIMETERS

TOLERANCES:
 .X = ±.2 [5.08] FRACTIONS ± 1/32
 .XX = ±.02 [.51] ANGLES ± 1°
 .XXX = ±.005 [.13]

CABLE LENGTH (L) TOLERANCES:
 L ≤ 12 [305] = +1 [25] / -0
 12 [305] < L ≤ 60 [1524] = +2 [51] / -0
 60 [1524] < L ≤ 120 [3048] = +4 [102] / -0
 120 [3048] < L ≤ 300 [7620] = +6 [152] / -0
 300 [7620] < L = +5%L / -0

ALL DIMENSIONS SHOWN ARE FOR REFERENCE ONLY.

PE PASTERNAK
 an INFINITI® brand

Pasternack Enterprises, Inc.
 P. O. Box 16759, Irvine, CA 92623.
 Phone: 1.949.261.1920 | 1.866.727.8376
 Fax: 1.949.261.7451
 Website: www.pasternack.com
 E-mail: sales@pasternack.com

SIZE A CAGE CODE 53919 DRAWN BY BPUCHASKI ITEM NO. PE51RD1027

THIRD-ANGLE PROJECTION

THE INFORMATION AND DESIGN IN THIS DOCUMENT IS THE PROPERTY OF PASTERNAK CORPORATION ALL RIGHTS RESERVED.

SHEET 1 OF 1

SCALE N/A

REV A

THESE COMMODITIES, TECHNOLOGY OR SOFTWARE WERE EXPORTED FROM THE UNITED STATES IN ACCORDANCE WITH THE EXPORT ADMINISTRATION REGULATIONS. DIVERSION CONTRARY TO U.S. LAW PROHIBITED.