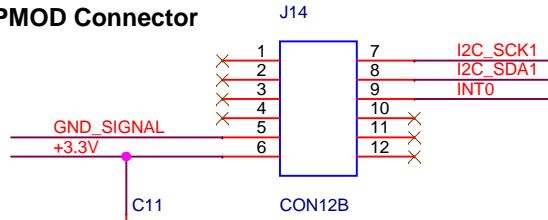


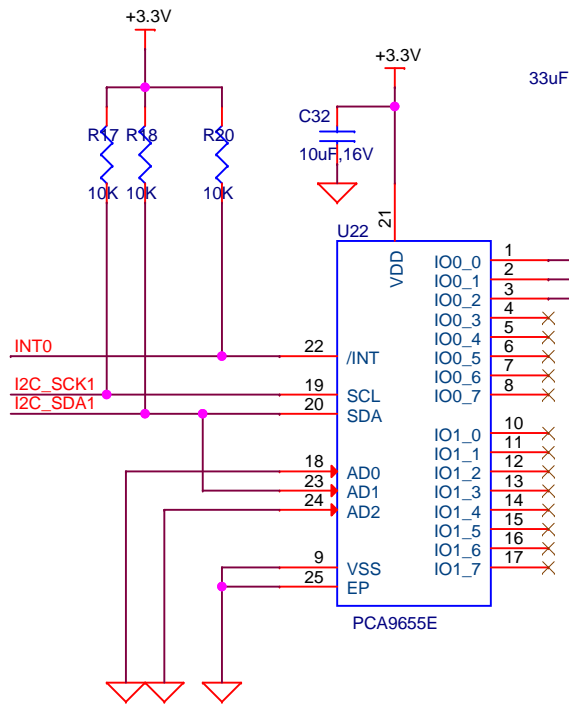
**PMOD Connector**



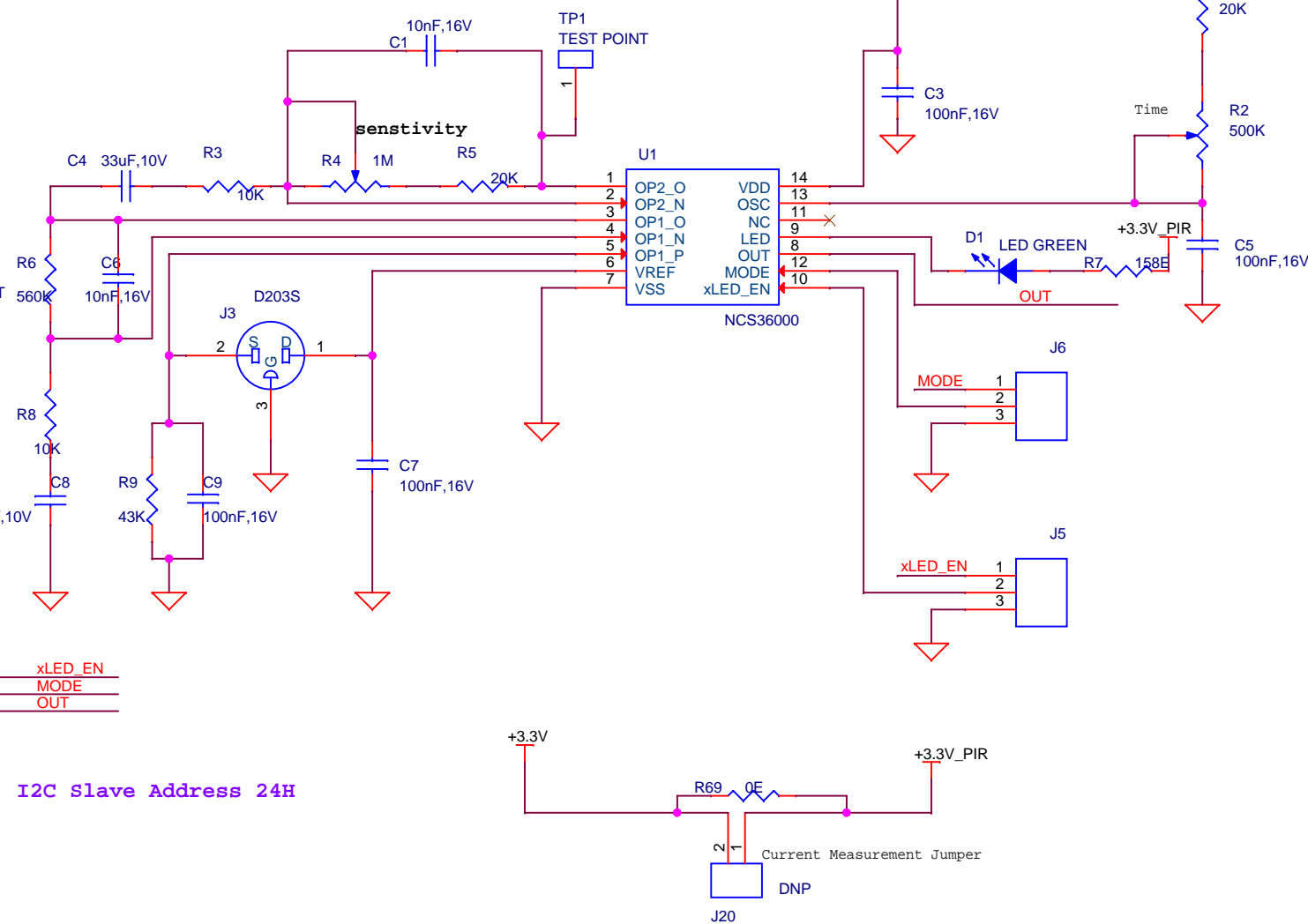
**PIR SENSOR**

Need to add onsemi protection diode

16 bit I2C Expander



I2C slave Address 24H



IDK PIR SENSOR SHIELD		
Title	<IDK>	
Size	Document Number	Rev
A4	<Doc>	<A>
Date:	Friday, November 25, 2016	Sheet 1 of 1