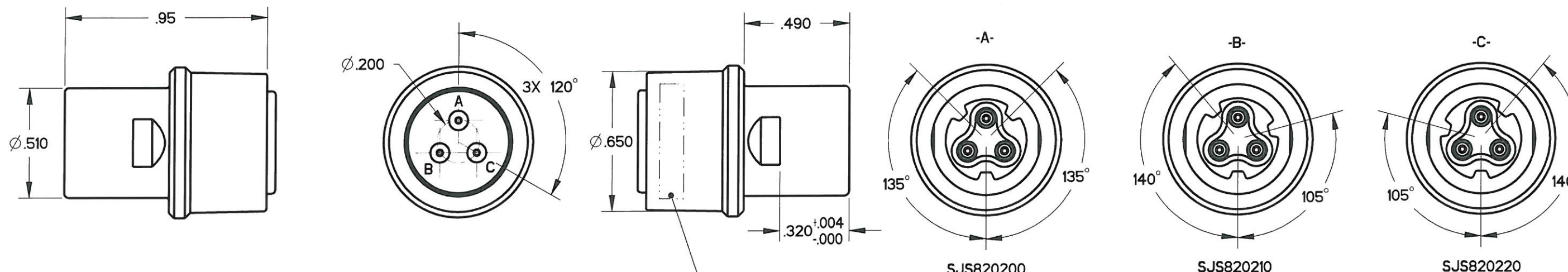


REV	ECN	APP'D
-	5791	J. TON
A	5951	J. TON
B	6109	J. TON
C	6589	<i>JT 10/2/10</i>

NOTES:

- MATERIALS:  
HOUSING: PA 6/6  
CONTACT RETAINER: STAINLESS STEEL  
GROMMET: SILICONE RUBBER PER A-A-59588
- OPERATING RANGE:  
TEMPERATURE: -55 °C TO 95 °C  
INSULATION RESISTANCE: 5000 MEGOHMS MINIMUM  
DIELECTRIC WITHSTANDING VOLTAGE: 1500 VRMS SEA LEVEL  
600 VRMS \* 45,000 FT. ALTITUDE
- CURRENT RATING: 7.5 AMPS
- VIBRATION: PER EIA-364D METHOD 28, TEST CONDITION V.
- ALTITUDE IMMERSION: PER EIA-364D METHOD 3 \* 55,000 FT (FORMERLY MIL-STD-1344 METHOD 1044)
- ACCEPTS (3) M39029/58-363 PIN CONTACT (NOT INCLUDED)
- CONTACT RETENTION - 20 LBS EACH
- LOCKING FEATURE - NO BREAK 35 LBS MIN



KEY CONFIGURATION SEE TABLE 1

PART MARKING AS FOLLOWS:  
 APCD YYWW ← DATE CODE  
 SJS8202XX  
 SEE TABLE 1 FOR FULL PART NUMBERS

TABLE 1 - PART# SCHEME		
APCD PART#	KEY	COLOR
SJS820200	A	RED
SJS820210	B	WHITE
SJS820220	C	BLUE

DIMENSIONS ANSI Y14.5M UNITS: INCHES Pro/E FILE	TOLERANCES .XX ±0.01 .XXX ±0.005 ANGLES ±10°	PROJECTION 	<b>Amphenol Pcd</b> SPECIFICATION DRAWING			TITLE IN-LINE JUNCTION TRIPLE WIRE, SIZE 20 RECEPTACLE		
			ENGR S. STONE 01/27/06	SIZE <b>B</b>	DWG NO. SJS820200	REV <b>C</b>	CODE: 58982	SCALE: 2:1
ORIGINAL 	THIS DOCUMENT CONTAINS PROPRIETARY INFORMATION WHICH IS THE CONFIDENTIAL PROPERTY OF AMPHENOL PCD INC., BEVERLY, MA			CHKD 10/12/10	APPD 10/12/10			

SJS820200

SJS820200