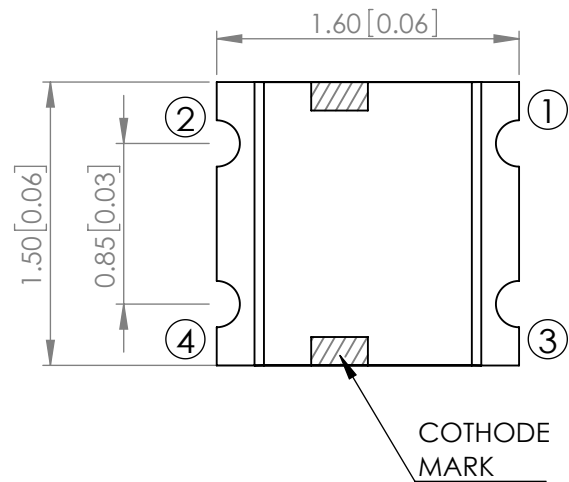
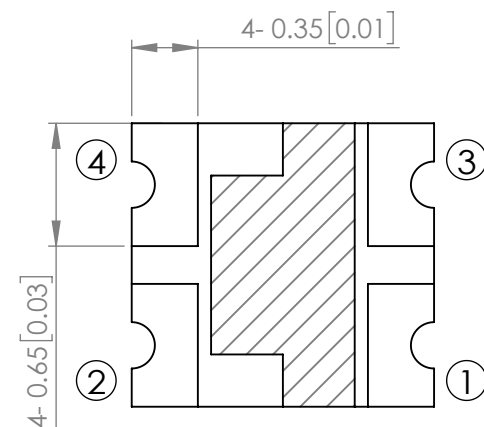
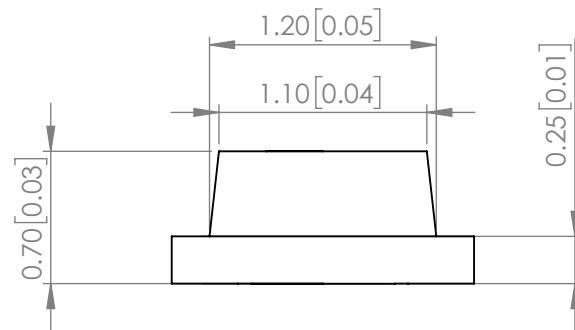
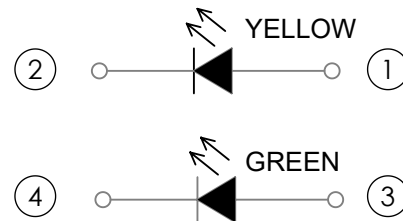


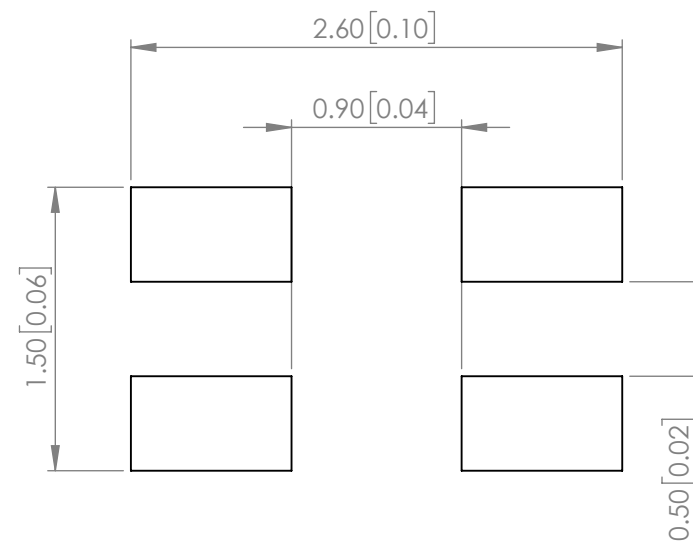
PART NUMBER	SML-LX0606YGC-TR	REV	F
REV	E.C.N. NUMBER AND REVISION COMMENTS	DATE	
A	E.C.N #10967.	03.14.03	
B	E.C.N #11148.	05.29.07	
C	E.C.N #11508.	03.05.09	
D	E.C.N #11598.	11.16.09	
E	E.C.N #11964	07.02.16	
F	ECN-Lumex201800191	12.14.18	



POLARITY



RECOMMENDED SOLDER PAD LAYOUT



ELECTRO-OPTICAL CHARACTERISTIC TA=25°C

PARAMETER	MIN	TYP	MAX	UNITS	TEST COND	
PEAK WAVELENGTH	Y	-	590	-	nm	If=20mA
	G	-	565	-		
FORWARD VOLTAGE	Y	-	2.1	2.5	Vf	If=20mA
	G	-	2.2	2.5		
REVERSE CURRENT	Y	-	-	10	uA	Vr=5V
	G	-	-	10		
LUMINOUS INTENSITY	Y	-	8	-	mcd	If=20mA
	G	-	12	-		
VIEWING ANGLE	-	150	-	2x theta 1/2	-	
EMITTED COLOR	YELLOW / GREEN					
EPOXY LENS FINISH	WATER CLEAR					

ABSOLUTE MAXIMUM RATINGS TA=25°C

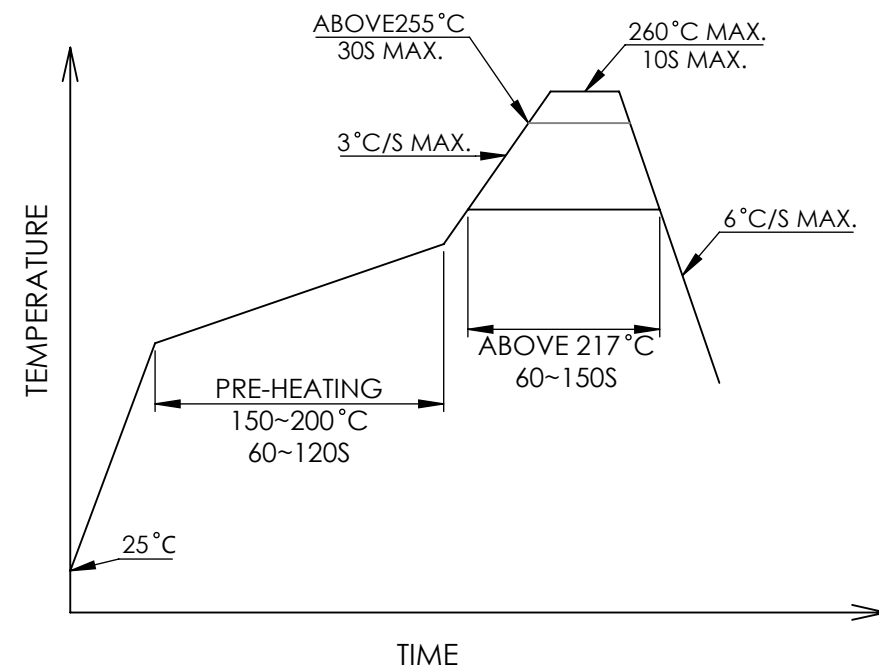
PARAMETER	MAX	UNITS
PEAK FORWARD CURRENT(Y/G)*	140/140	mA
FORWARD CURRENT(Y/G)	30/25	mA
REVERSE VOLTAGE(Y/G)	5/5	V
POWER DISSIPATION(Y/G)	75/62.5	mW
STORAGE TEMPERATURE	-40 TO +85	°C
OPERATING TEMPERATURE	-40 TO +85	°C

*t<10us

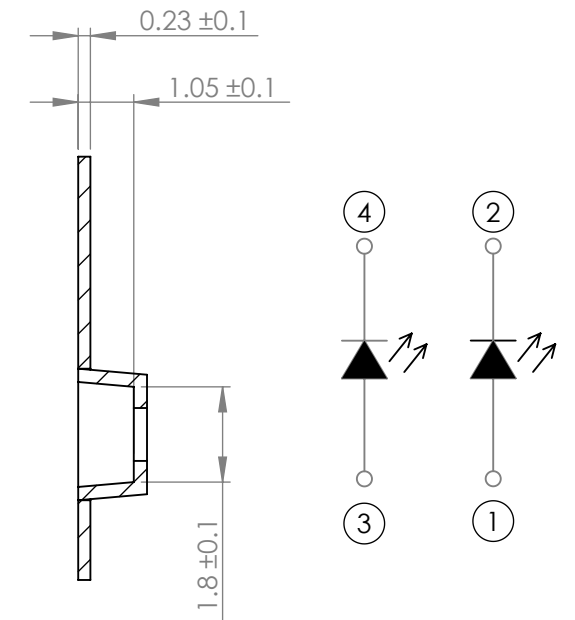
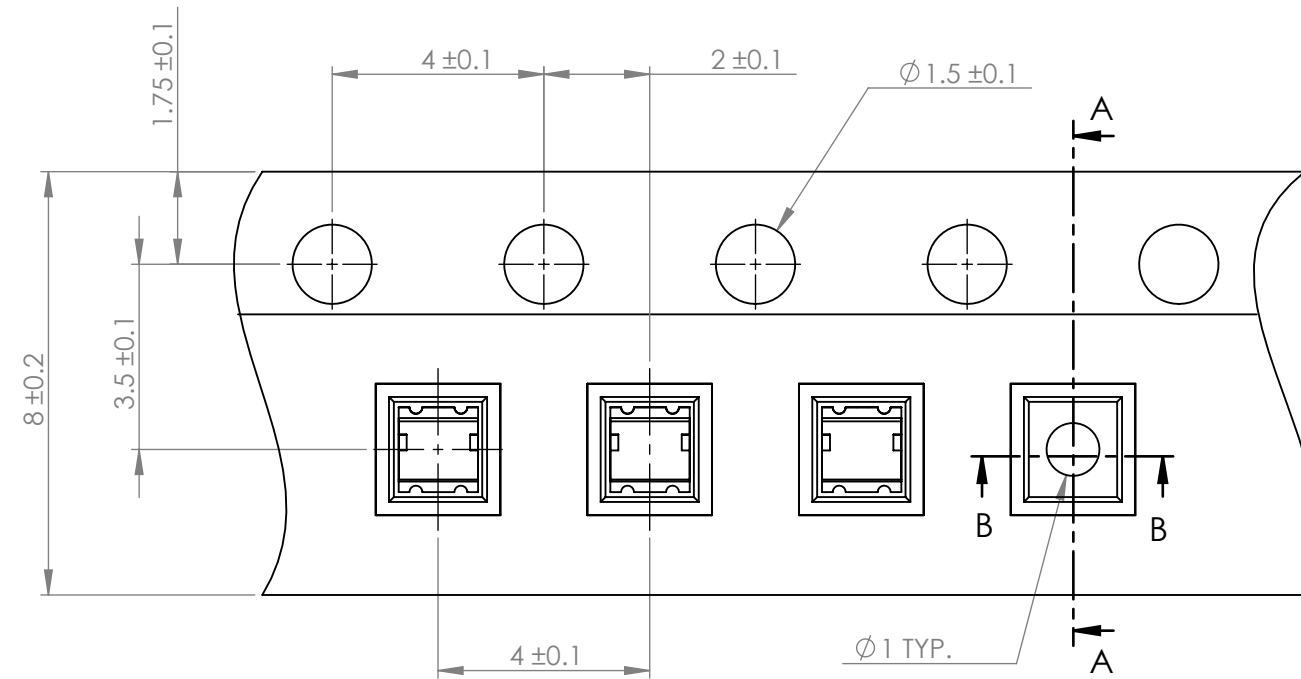
MOISTURE SENSITIVE DEVICE
PER JEDEC LEVEL 3 STANDARDS

*UNLESS OTHERWISE SPECIFIED TOLERANCES PER DECIMAL PRECISION ARE: X=±1 (±0.039), X.X=±0.5 (±0.020), X.XX=±0.25 (±0.010), X.XXX=±0.127 (±0.005). LEAD SIZE=±0.05 (±0.002), LEAD LENGTH=±0.75 (±0.030). MIN= ^{+DECIMAL PRECISION}/_{-0.00} MAX= ^{+0.00}/_{-DECIMAL PRECISION}

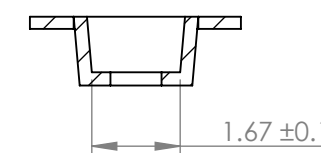
PROFILE



CARRIER TAPE DIMENSION



SECTION A-A



SECTION B-B

NOTE:
1. 2000PCS/REEL

*UNLESS OTHERWISE SPECIFIED TOLERANCES PER DECIMAL PRECISION ARE: X=±1 (±0.039), X.X=±0.5 (±0.020), X.XX=±0.25 (±0.010), X.XXX=±0.127 (±0.005). LEAD SIZE=±0.05 (±0.002), LEAD LENGTH=±0.75 (±0.030). MIN= ^{+DECIMAL PRECISION}/_{-0.00} MAX= ^{+0.00}/_{-DECIMAL PRECISION}

LUMEX
Creating LED and LCD Solutions Together™

425 N. GARY AVE.
CAROL STREAM, IL 60188
PHONE : 800-278-5666
FAX : 630-315-2150
WEB : WWW.LUMEX.COM

1.6(L) x 1.5(W) x 0.7(H)mm ULTRA THIN SURFACE MOUNT LED, 590nm GaAsP/GaP YELLOW/ 565nm GaP GREEN LED, WATER CLEAR LENS, TAPE AND REEL.

****THE SPECIFICATIONS MAY CHANGE AT ANY TIME WITHOUT NOTICE.****

CONFIDENTIAL INFORMATION
THE INFORMATION CONTAINED IN THIS DOCUMENT IS THE PROPERTY OF LUMEX INC. EXCEPT AS SPECIFICALLY AUTHORIZED IN WRITING BY LUMEX INC., THE HOLDER OF THIS DOCUMENT SHALL KEEP ALL INFORMATION CONTAINED HEREIN CONFIDENTIAL AND SHALL PROTECT SAME IN WHOLE OR IN PART FROM DISCLOSURE AND DISSEMINATION TO ALL THIRD PARTIES.

DATE : 2018.12.14	DRAWN BY : C.S.
PAGE : 2 OF 2	CHKD BY : E.C.
SCALE : NTF	APRVD BY : G.Y.
UNIT : mm [INCH]	(Pb)