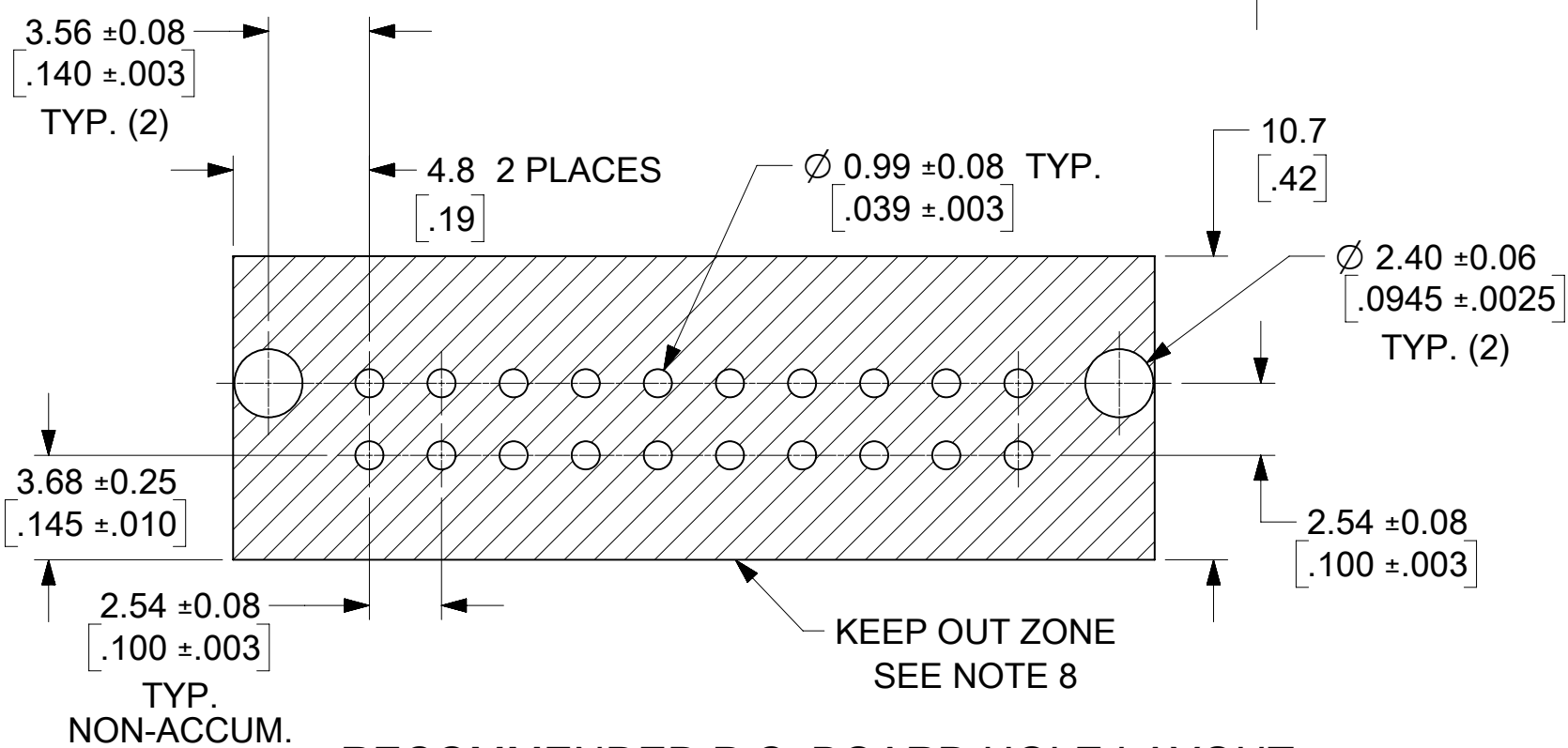
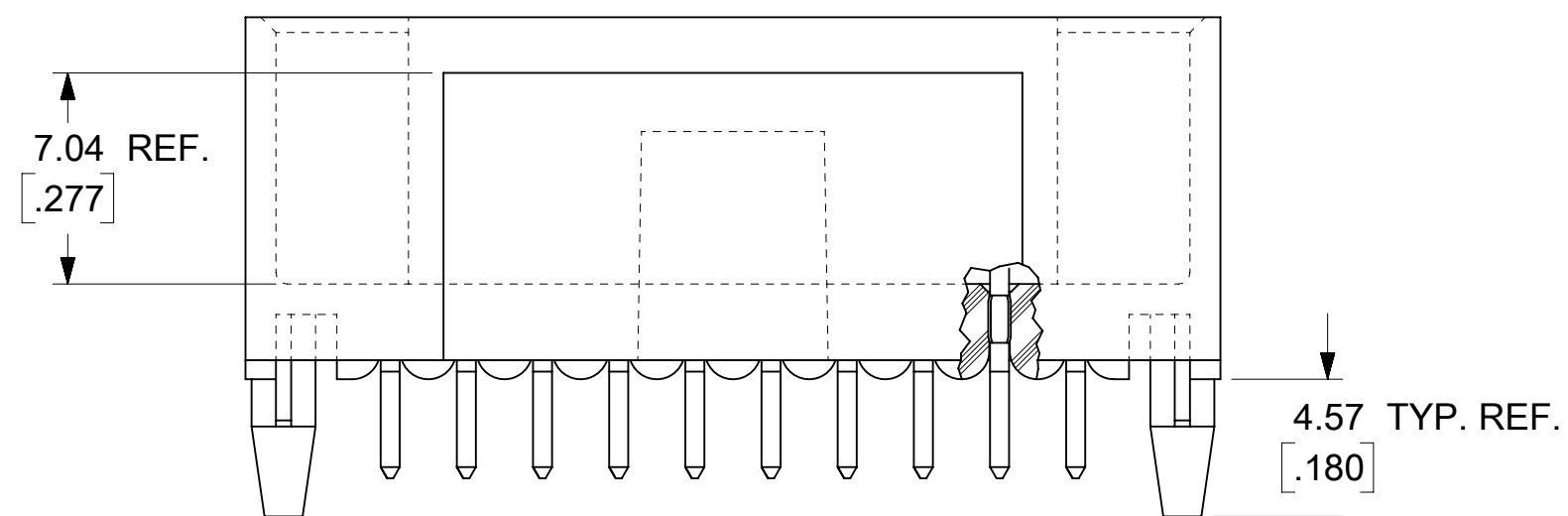
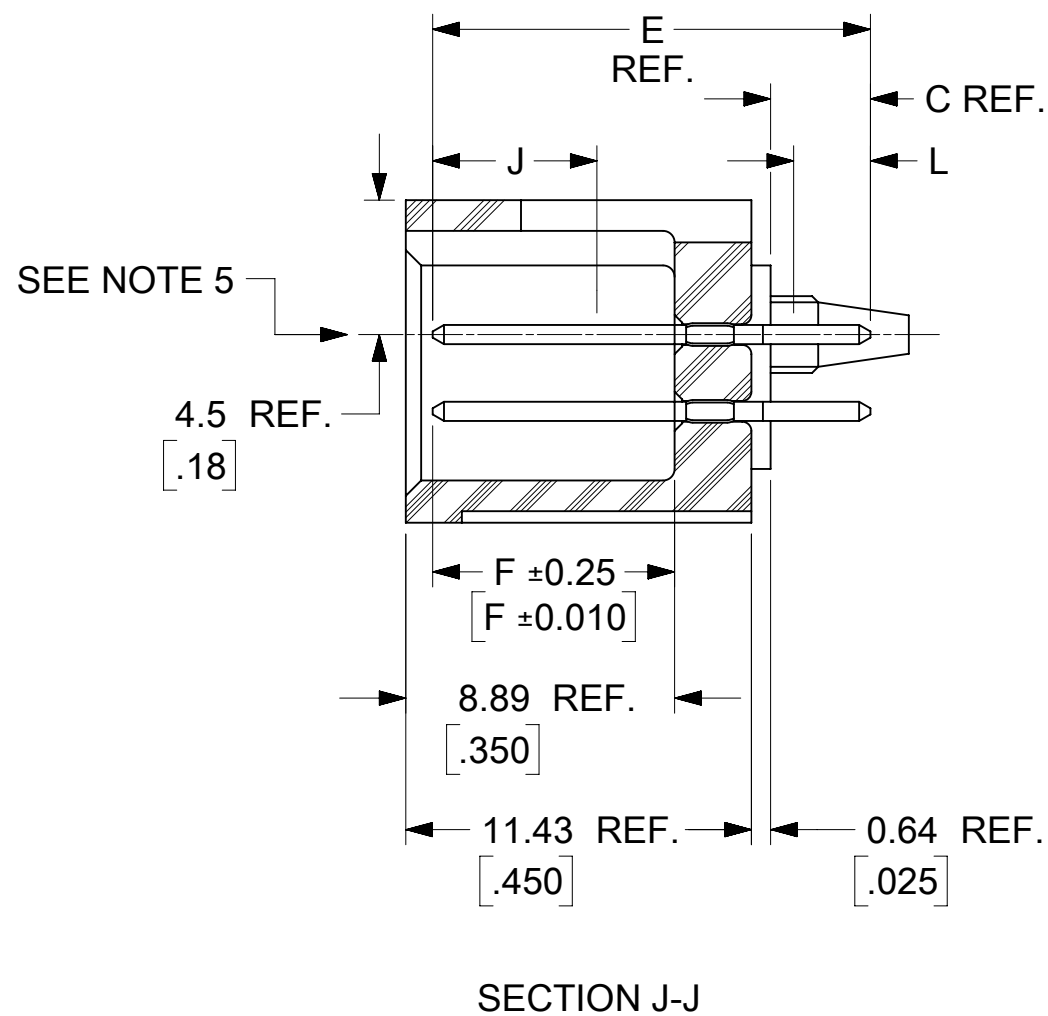
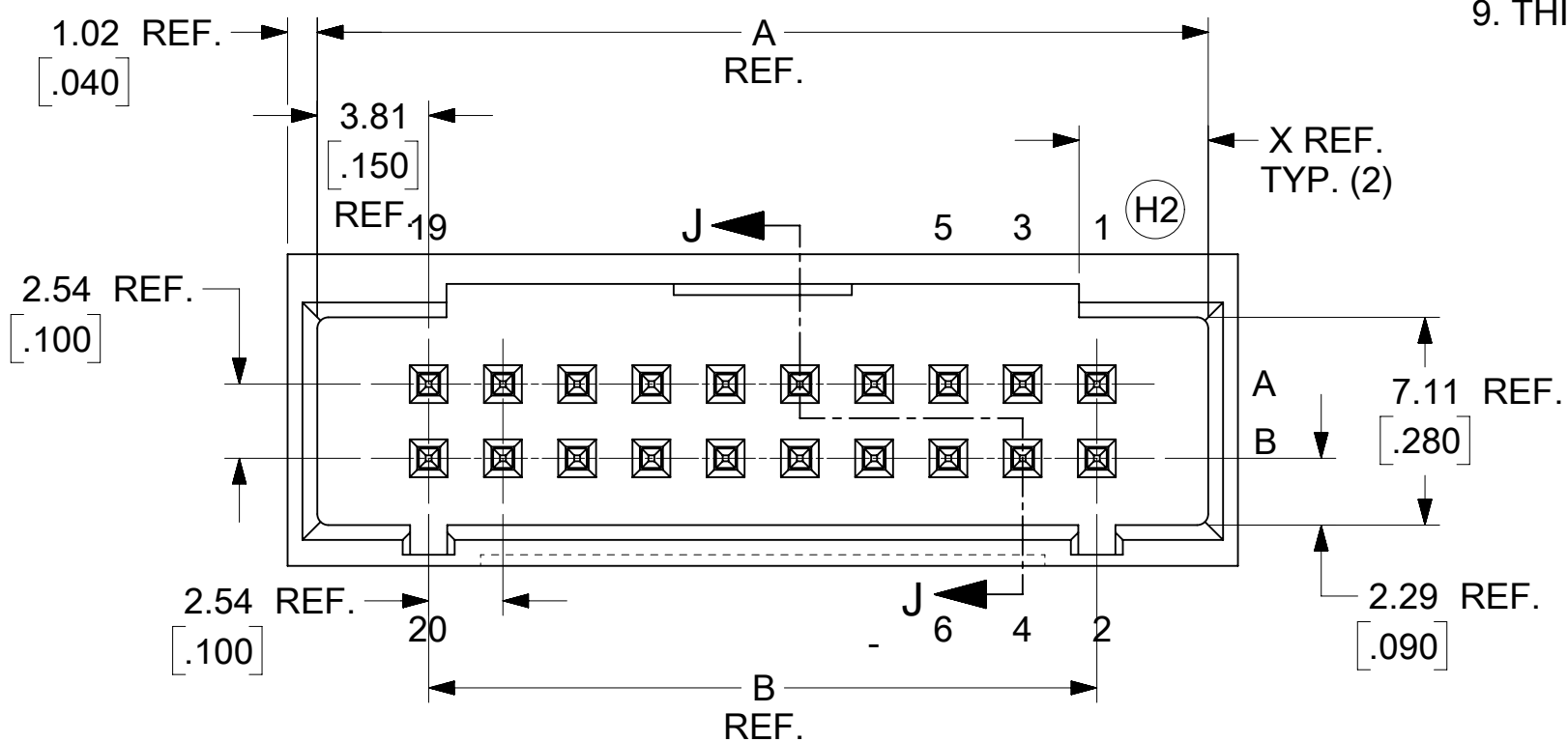
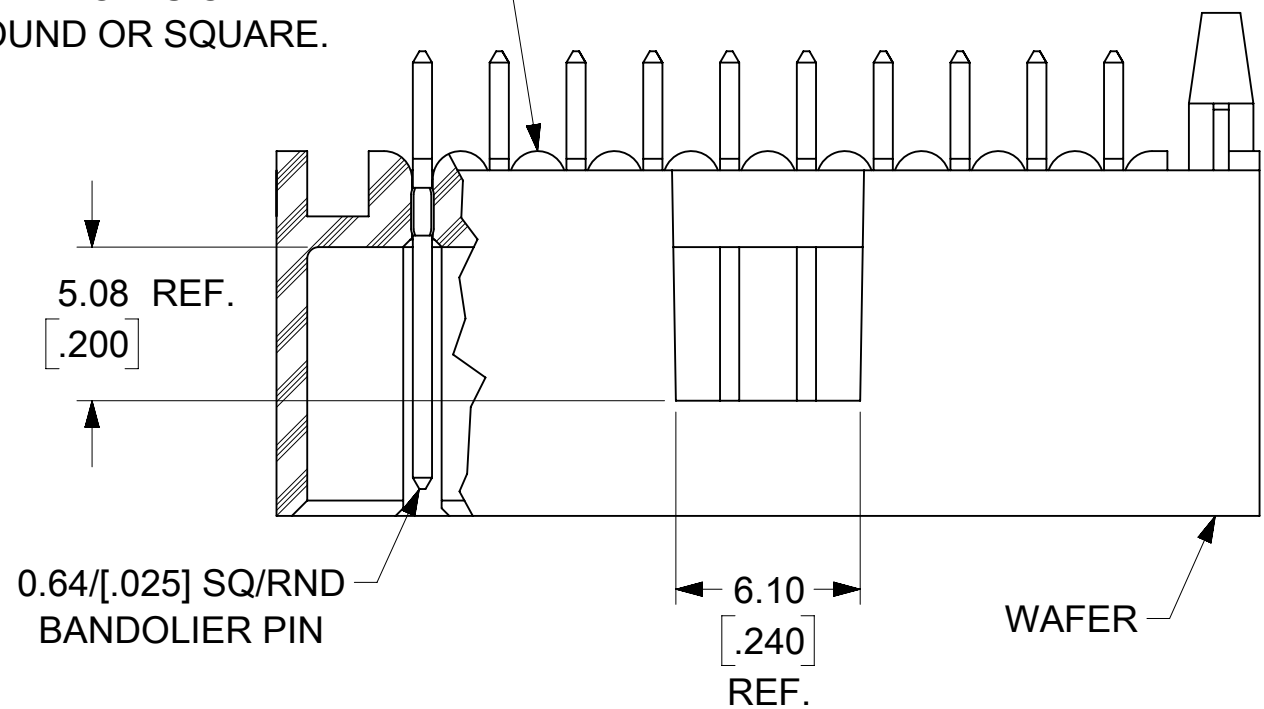


STAND OFFS CAN BE EITHER ROUND OR SQUARE.

NOTES:

- MATERIAL: WAFER - GLASS FILLED LIQUID CRYSTAL POLYMER; UL 94V-0; COLOR: BLACK. PIN: COPPER ALLOY.
- PLATING: TIN
TIN(Sn) ALLOY OVER ENTIRE PIN: THICKNESS = 3.81 MICROMETER/ [150 MICROINCH] MINIMUM;
NICKEL (Ni) UNDERPLATE OVER ENTIRE PIN.
15 GOLD SELECTIVE GOLD (Au) IN THE CONTACT AREA: THICKNESS = 0.38MICROMETER/ [15 MICROINCH] MINIMUM;
SELECTIVE TIN (Sn) ALLOY IN THE PC TAIL AREA: THICKNESS = 1.91 MICROMETER/ [75 MICROINCH] MINIMUM;
NICKEL (Ni) UNDERPLATE OVER ENTIRE PIN.
30 GOLD SELECTIVE GOLD (Au) IN THE CONTACT AREA: THICKNESS = 0.76 MICROMETER/ [30 MICROINCH] MINIMUM;
SELECTIVE TIN (Sn) ALLOY IN THE PC TAIL AREA: THICKNESS = 1.91 MICROMETER/ [75 MICROINCH] MINIMUM;
NICKEL (Ni) UNDERPLATE OVER ENTIRE PIN.
* THE PRIMARY SHIPPING CARTON WILL BE LABELED "COMPLIANT TO RoHS DIRECTIVE 2002/95/EC AND ELV ANNEX II OF DIRECTIVE 2000/53/EC".
CARTONS WITHOUT THIS LABEL MAY CONTAIN PRODUCT WITH LEAD.
- PRODUCT SPECIFICATION: PS-70567.
- PACKAGING: SEE CHARTS
- PIN PUSHOUT FORCE: 4 LS. MIN. IN DIRECTION INDICATED.
- FOR ILLUSTRATION PURPOSES, 20 (DUAL 10) CIRCUIT SIZE IS SHOWN.
- PINS MUST MEET SOLDERABILITY SPEC. SMES-152,
EXCEPT VOIDS ARE PERMISSIBLE AT BANDOLIER PIN FAYING SURFACE. (APPROX. 0.64/[.025] LNG X 0.15/[.006] WD. REF.) - 2 LOCATIONS
- NO FEATURES WHICH RISE ABOVE THE PCB SURFACE ALLOWED IN THIS AREA.
- THIS PART CONFORMS TO CLASS B REQUIREMENTS OF COSMETIC SPEC PS-45499-002.



RECOMMENDED P.C. BOARD HOLE LAYOUT

| CKT. SIZE | DIM. A REF. | | DIM. B REF. | | DIM. X REF. | |
|-----------|-------------|-------|-------------|-------|-------------|------|
| | MM | INCH | MM | INCH | MM | INCH |
| 6 | 12.70 | .500 | 5.08 | .200 | 3.18 | .125 |
| 8 | 15.24 | .600 | 7.62 | .300 | 4.42 | .174 |
| 10 | 17.78 | .700 | 10.16 | .400 | 4.42 | .174 |
| 12 | 20.32 | .800 | 12.70 | .500 | 4.42 | .174 |
| 14 | 22.86 | .900 | 15.24 | .600 | 4.42 | .174 |
| 16 | 25.40 | 1.000 | 17.78 | .700 | 4.42 | .174 |
| 18 | 27.94 | 1.100 | 20.32 | .800 | 4.42 | .174 |
| 20 | 30.48 | 1.200 | 22.86 | .900 | 4.42 | .174 |
| 22 | 33.02 | 1.300 | 25.40 | 1.000 | 4.42 | .174 |
| 24 | 35.56 | 1.400 | 27.94 | 1.100 | 4.42 | .174 |
| 26 | 38.10 | 1.500 | 30.48 | 1.200 | 4.42 | .174 |
| 28 | 40.64 | 1.600 | 33.02 | 1.300 | 4.42 | .174 |
| 30 | 43.18 | 1.700 | 35.56 | 1.400 | 4.42 | .174 |
| 32 | 45.72 | 1.800 | 38.10 | 1.500 | 4.42 | .174 |
| 34 | 48.26 | 1.900 | 40.64 | 1.600 | 4.42 | .174 |
| 36 | 50.80 | 2.000 | 43.18 | 1.700 | 4.42 | .174 |
| 38 | 53.34 | 2.100 | 45.72 | 1.800 | 4.42 | .174 |
| 40 | 55.88 | 2.200 | 48.26 | 1.900 | 4.42 | .174 |
| 42 | 58.42 | 2.300 | 50.80 | 2.000 | 4.42 | .174 |
| 44 | 60.96 | 2.400 | 53.34 | 2.100 | 4.42 | .174 |
| 46 | 63.50 | 2.500 | 55.88 | 2.200 | 4.42 | .174 |
| 48 | 66.04 | 2.600 | 58.42 | 2.300 | 4.42 | .174 |
| 50 | 68.58 | 2.700 | 60.96 | 2.400 | 4.42 | .174 |
| 52 | 71.12 | 2.800 | 63.50 | 2.500 | 4.42 | .174 |
| 54 | 73.66 | 2.900 | 66.04 | 2.600 | 4.42 | .174 |
| 56 | 76.20 | 3.000 | 68.58 | 2.700 | 4.42 | .174 |
| 58 | 78.74 | 3.100 | 71.12 | 2.800 | 4.42 | .174 |
| 60 | 81.28 | 3.200 | 73.66 | 2.900 | 4.42 | .174 |
| 62 | 83.82 | 3.300 | 76.20 | 3.000 | 4.42 | .174 |
| 64 | 86.36 | 3.400 | 78.74 | 3.100 | 4.42 | .174 |
| 66 | 88.90 | 3.500 | 81.28 | 3.200 | 4.42 | .174 |
| 68 | 91.44 | 3.600 | 83.82 | 3.300 | 4.42 | .174 |
| 70 | 93.98 | 3.700 | 86.36 | 3.400 | 4.42 | .174 |
| 72 | 96.52 | 3.800 | 88.90 | 3.500 | 4.42 | .174 |

THIS DRAWING CONTAINS INFORMATION THAT IS PROPRIETARY TO MOLEX ELECTRONIC TECHNOLOGIES, LLC AND SHOULD NOT BE USED WITHOUT WRITTEN PERMISSION

| | | | |
|--|------------------------|---|---|
| DIMENSION UNITS | SCALE | CURRENT REV DESC: CIRCUIT POSITIONS | molex |
| mm/[in] | 4:1 | STATEMENT UPDATED AS PER A-70568-XXXX DRAWING | |
| GENERAL TOLERANCES (UNLESS SPECIFIED) | | EC NO: 676771 | SALES ASSY - DUAL ROW SHROUDED WAFER/HI TEMP .25SQ/RND PINS .100 GRID |
| 4 PLACES | ± | DRWN: RMV02 | 2021/09/02 |
| 3 PLACES | ± | CHK'D: KCHIKKANNA | 2021/09/08 |
| 2 PLACES | ± 0.13 | APPR: ISHWARG | 2021/10/14 |
| 1 PLACE | ± 0.25 | INITIAL REVISION: | |
| 0 PLACES | ± | DRWN: SMR | 1993/11/10 |
| ANGULAR TOL | ± 0.5° | APPR: | |
| DRAFT WHERE APPLICABLE MUST REMAIN WITHIN DIMENSIONS | THIRD ANGLE PROJECTION | DRAWING | SERIES |
| | | C-SIZE | 70568 |
| DOCUMENT STATUS | P1 | RELEASE DATE | 2021/10/14 14:42:29 |
| DOCUMENT NUMBER | | DOC TYPE | DOC PART |
| SDA-70568-XXXX | | PSD | 001 |
| MATERIAL NUMBER | | CUSTOMER | SHEET NUMBER |
| SEE TABLE | | GENERAL MARKET | 1 OF 2 |

| H | ENGINEERING NUMBER A-70568 | RELEASE FOR MANUFACTURE | C REF. | E REF. | F±0.25 [F±.010] | CONNECTOR END PLATING | | P.C. BOARD END PLATING | | | SEE PACK. INFORMA. DRAWING PK-70873 |
|---|-------------------------------|----------------------------|----------------|-----------------|--------------------|-----------------------|------------------------|------------------------|------------------------|-------|--|
| | | | | | | TYPE | J MINIMUM LENGTH | TYPE | L MINIMUM LENGTH | | |
| | -0001/-0034 | R.F.M. | 3.30 [.130] | 14.48 [.570] | 8.00 [.315] | TIN | OVER- ALL | TIN | OVER- ALL | -0018 | |
| | -0035/-0068 | R.F.M. | 3.30 [.130] | 14.48 [.570] | 8.00 [.315] | 15 GOLD | 5.08 [.200] | TIN | 3.56 [.140] | -0018 | |
| | -0069/-0102 | R.F.M. | 3.30 [.130] | 14.48 [.570] | 8.00 [.315] | 30 GOLD | 5.08 [.200] | TIN | 3.56 [.140] | -0018 | |
| G | -0103/-0136 | | | | | | | | | | |
| | -0137/-0170 | | | | | | | | | | |
| | -0171/-0204 | | | | | | | | | | |
| | -0205/-0238 | | | | | | | | | | |

| F | CKTS | EDP NUMBER | ENG. NUMBER | EDP NUMBER | ENG. NUMBER | EDP NUMBER | ENG. NUMBER | EDP NUMBER | ENG. NUMBER | EDP NUMBER | ENG. NUMBER | EDP NUMBER | ENG. NUMBER | EDP NUMBER | ENG. NUMBER | CKTS |
|---|------|------------|--------------|------------|--------------|------------|--------------|------------|--------------|------------|--------------|------------|--------------|------------|--------------|------|
| | 06 | 15-47-7506 | A-70568-0001 | 15-47-7606 | A-70568-0035 | 15-47-7706 | A-70568-0069 | | A-70568-0103 | | A-70568-0137 | | A-70568-0171 | | A-70568-0205 | 06 |
| | 08 | 15-47-7508 | A-70568-0002 | 15-47-7608 | A-70568-0036 | 15-47-7708 | A-70568-0070 | | A-70568-0104 | | A-70568-0138 | | A-70568-0172 | | A-70568-0206 | 08 |
| | 10 | 15-47-7510 | A-70568-0003 | 15-47-7610 | A-70568-0037 | 15-47-7710 | A-70568-0071 | | A-70568-0105 | | A-70568-0139 | | A-70568-0173 | | A-70568-0207 | 10 |
| | 12 | 15-47-7512 | A-70568-0004 | 15-47-7612 | A-70568-0038 | 15-47-7712 | A-70568-0072 | | A-70568-0106 | | A-70568-0140 | | A-70568-0174 | | A-70568-0208 | 12 |
| | 14 | 15-47-7514 | A-70568-0005 | 15-47-7614 | A-70568-0039 | 15-47-7714 | A-70568-0073 | | A-70568-0107 | | A-70568-0141 | | A-70568-0175 | | A-70568-0209 | 14 |
| | 16 | 15-47-7516 | A-70568-0006 | 15-47-7616 | A-70568-0040 | 15-47-7716 | A-70568-0074 | | A-70568-0108 | | A-70568-0142 | | A-70568-0176 | | A-70568-0210 | 16 |
| | 18 | 15-47-7518 | A-70568-0007 | 15-47-7618 | A-70568-0041 | 15-47-7718 | A-70568-0075 | | A-70568-0109 | | A-70568-0143 | | A-70568-0177 | | A-70568-0211 | 18 |
| | 20 | 15-47-7520 | A-70568-0008 | 15-47-7620 | A-70568-0042 | 15-47-7720 | A-70568-0076 | | A-70568-0110 | | A-70568-0144 | | A-70568-0178 | | A-70568-0212 | 20 |
| | 22 | 15-47-7522 | A-70568-0009 | 15-47-7622 | A-70568-0043 | 15-47-7722 | A-70568-0077 | | A-70568-0111 | | A-70568-0145 | | A-70568-0179 | | A-70568-0213 | 22 |
| | 24 | 15-47-7524 | A-70568-0010 | 15-47-7624 | A-70568-0044 | 15-47-7724 | A-70568-0078 | | A-70568-0112 | | A-70568-0146 | | A-70568-0180 | | A-70568-0214 | 24 |
| | 26 | 15-47-7526 | A-70568-0011 | 15-47-7626 | A-70568-0045 | 15-47-7726 | A-70568-0079 | | A-70568-0113 | | A-70568-0147 | | A-70568-0181 | | A-70568-0215 | 26 |
| | 28 | 15-47-7528 | A-70568-0012 | 15-47-7628 | A-70568-0046 | 15-47-7728 | A-70568-0080 | | A-70568-0114 | | A-70568-0148 | | A-70568-0182 | | A-70568-0216 | 28 |
| | 30 | 15-47-7530 | A-70568-0013 | 15-47-7630 | A-70568-0047 | 15-47-7730 | A-70568-0081 | | A-70568-0115 | | A-70568-0149 | | A-70568-0183 | | A-70568-0217 | 30 |
| | 32 | 15-47-7532 | A-70568-0014 | 15-47-7632 | A-70568-0048 | 15-47-7732 | A-70568-0082 | | A-70568-0116 | | A-70568-0150 | | A-70568-0184 | | A-70568-0218 | 32 |
| | 34 | 15-47-7534 | A-70568-0015 | 15-47-7634 | A-70568-0049 | 15-47-7734 | A-70568-0083 | | A-70568-0117 | | A-70568-0151 | | A-70568-0185 | | A-70568-0219 | 34 |
| | 36 | 15-47-7536 | A-70568-0016 | 15-47-7636 | A-70568-0050 | 15-47-7736 | A-70568-0084 | | A-70568-0118 | | A-70568-0152 | | A-70568-0186 | | A-70568-0220 | 36 |
| D | 38 | 15-47-7538 | A-70568-0017 | 15-47-7638 | A-70568-0051 | 15-47-7738 | A-70568-0085 | | A-70568-0119 | | A-70568-0153 | | A-70568-0187 | | A-70568-0221 | 38 |
| | 40 | 15-47-7540 | A-70568-0018 | 15-47-7640 | A-70568-0052 | 15-47-7740 | A-70568-0086 | | A-70568-0120 | | A-70568-0154 | | A-70568-0188 | | A-70568-0222 | 40 |
| | 42 | 15-47-7542 | A-70568-0019 | 15-47-7642 | A-70568-0053 | 15-47-7742 | A-70568-0087 | | A-70568-0121 | | A-70568-0155 | | A-70568-0189 | | A-70568-0223 | 42 |
| | 44 | 15-47-7544 | A-70568-0020 | 15-47-7644 | A-70568-0054 | 15-47-7744 | A-70568-0088 | | A-70568-0122 | | A-70568-0156 | | A-70568-0190 | | A-70568-0224 | 44 |
| | 46 | 15-47-7546 | A-70568-0021 | 15-47-7646 | A-70568-0055 | 15-47-7746 | A-70568-0089 | | A-70568-0123 | | A-70568-0157 | | A-70568-0191 | | A-70568-0225 | 46 |
| | 48 | 15-47-7548 | A-70568-0022 | 15-47-7648 | A-70568-0056 | 15-47-7748 | A-70568-0090 | | A-70568-0124 | | A-70568-0158 | | A-70568-0192 | | A-70568-0226 | 48 |
| | 50 | 15-47-7550 | A-70568-0023 | 15-47-7650 | A-70568-0057 | 15-47-7750 | A-70568-0091 | | A-70568-0125 | | A-70568-0159 | | A-70568-0193 | | A-70568-0227 | 50 |
| | 52 | 15-47-7552 | A-70568-0024 | 15-47-7652 | A-70568-0058 | 15-47-7752 | A-70568-0092 | | A-70568-0126 | | A-70568-0160 | | A-70568-0194 | | A-70568-0228 | 52 |
| | 54 | 15-47-7554 | A-70568-0025 | 15-47-7654 | A-70568-0059 | 15-47-7754 | A-70568-0093 | | A-70568-0127 | | A-70568-0161 | | A-70568-0195 | | A-70568-0229 | 54 |
| C | 56 | 15-47-7556 | A-70568-0026 | 15-47-7656 | A-70568-0060 | 15-47-7756 | A-70568-0094 | | A-70568-0128 | | A-70568-0162 | | A-70568-0196 | | A-70568-0230 | 56 |
| | 58 | 15-47-7558 | A-70568-0027 | 15-47-7658 | A-70568-0061 | 15-47-7758 | A-70568-0095 | | A-70568-0129 | | A-70568-0163 | | A-70568-0197 | | A-70568-0231 | 58 |
| | 60 | 15-47-7560 | A-70568-0028 | 15-47-7660 | A-70568-0062 | 15-47-7760 | A-70568-0096 | | A-70568-0130 | | A-70568-0164 | | A-70568-0198 | | A-70568-0232 | 60 |
| | 62 | 15-47-7562 | A-70568-0029 | 15-47-7662 | A-70568-0063 | 15-47-7762 | A-70568-0097 | | A-70568-0131 | | A-70568-0165 | | A-70568-0199 | | A-70568-0233 | 62 |
| | 64 | 15-47-7564 | A-70568-0030 | 15-47-7664 | A-70568-0064 | 15-47-7764 | A-70568-0098 | | A-70568-0132 | | A-70568-0166 | | A-70568-0200 | | A-70568-0234 | 64 |
| | 66 | 15-47-7566 | A-70568-0031 | 15-47-7666 | A-70568-0065 | 15-47-7766 | A-70568-0099 | | A-70568-0133 | | A-70568-0167 | | A-70568-0201 | | A-70568-0235 | 66 |
| | 68 | 15-47-7568 | A-70568-0032 | 15-47-7668 | A-70568-0066 | 15-47-7768 | A-70568-0100 | | A-70568-0134 | | A-70568-0168 | | A-70568-0202 | | A-70568-0236 | 68 |
| | 70 | 15-47-7570 | A-70568-0033 | 15-47-7670 | A-70568-0067 | 15-47-7770 | A-70568-0101 | | A-70568-0135 | | A-70568-0169 | | A-70568-0203 | | A-70568-0237 | 70 |
| B | 72 | 15-47-7572 | A-70568-0034 | 15-47-7672 | A-70568-0068 | 15-47-7772 | A-70568-0102 | | A-70568-0136 | | A-70568-0170 | | A-70568-0204 | | A-70568-0238 | 72 |

| | | | | | | | | | | | |
|---|--|---------------------|---------|---|--|--|--|--|--|--|--|
| THIS DRAWING CONTAINS INFORMATION THAT IS PROPRIETARY TO MOLEX ELECTRONIC TECHNOLOGIES, LLC AND SHOULD NOT BE USED WITHOUT WRITTEN PERMISSION | | | | | | | | | | | |
| DIMENSION UNITS mm/[in] | | SCALE 1:1 | | CURRENT REV DESC: CIRCUIT POSITIONS STATEMENT UPDATED AS PER A-70568-XXXX DRAWING | | | |  SALES ASSY - DUAL ROW SHROUDED WAFER/HI TEMP .25SQ/RND PINS .100 GRID | | | |
| GENERAL TOLERANCES (UNLESS SPECIFIED) | | | | EC NO: 676771 | | | | | | | |
| | | MM | INCH | DRWN: RMV02 2021/09/02 | | | | PRODUCT CUSTOMER DRAWING | | | |
| 4 PLACES ± | | | | CHK'D: KCHIKKANNA 2021/09/08 | | | | | | | |
| 3 PLACES ± | | | ± 0.005 | APPR: ISHWARG 2021/10/14 | | | | DOCUMENT NUMBER | | | |
| 2 PLACES ± | | 0.13 | ± 0.01 | INITIAL REVISION: | | | | SDA-70568-XXXX | | | |
| 1 PLACE ± | | 0.25 | ± | DRWN: SMR 1993/11/10 | | | | DOC TYPE DOC PART REVISION | | | |
| 0 PLACES ± | | | ± | APPR: | | | | PSD 001 H2 | | | |
| ANGULAR TOL ± | | 0.5 ° | | THIRD ANGLE PROJECTION | | | | MATERIAL NUMBER | | | |
| DRAFT WHERE APPLICABLE MUST REMAIN WITHIN DIMENSIONS | | | | DRAWING | | | | CUSTOMER | | | |
| | | | | C-SIZE | | | | SHEET NUMBER | | | |
| | | | | 70568 | | | | SEE TABLE GENERAL MARKET 2 OF 2 | | | |