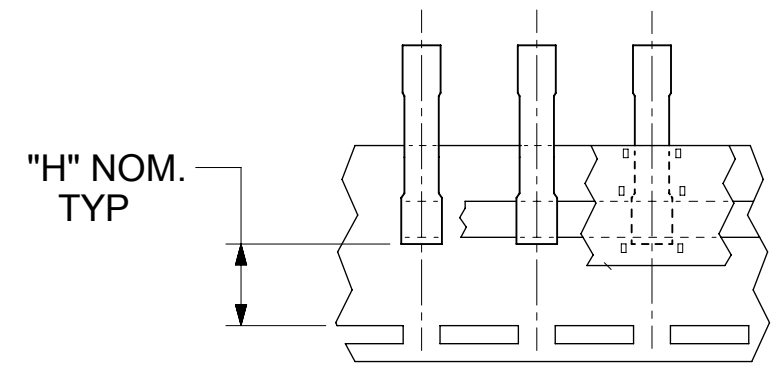
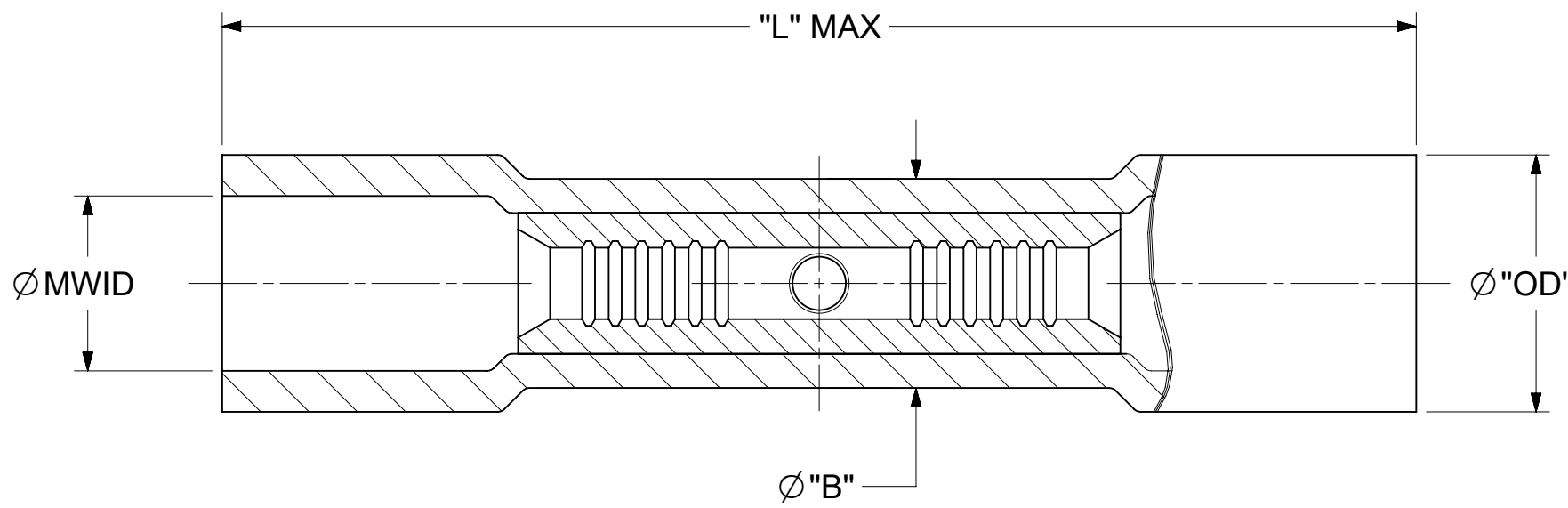
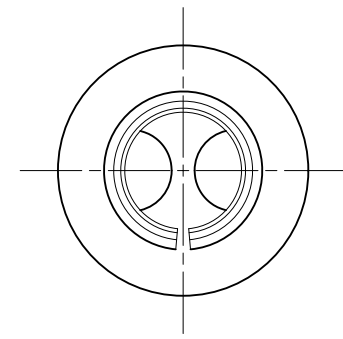


MATERIAL NO.	ENG. NO.	MATERIAL NO. (TAPED)	ENG NO. (TAPED)	COLOR	MWID	OD (MAX)	"L" MAX	"B" (MAX)	ID (MIN)	"H" (NOM)
191540004	A-245X	191540006	A-245XT	RED	.150 (3.81)	.24 (6.1)	.98 (24.9)	.20 (5.1)	.060 (1.52)	.49 (12.4)
191540015	B-231X	191540017	B-231XT	BLUE	.175 (4.45)	.27 (6.9)	1.00 (25.4)	.24 (6.1)	.080 (2.03)	
191540028	C-246X	191540030	C-246XT	YELLOW	.260 (6.60)	.36 (9.2)	1.14 (29.0)	.30 (7.6)	.125 (3.17)	.43 (10.9)



TAPE MOUNTED PARTS



NOTES:

1. MATERIALS: PVC INSULATION OVER TIN-PLATED COPPER SPLICE.
2. COLOR: SEE CHART.
3. MWID = MAXIMUM WIRE INSULATION DIAMETER
4. PARTS ARE RoHS COMPLIANT.

THIS DRAWING CONTAINS INFORMATION THAT IS PROPRIETARY TO MOLEX ELECTRONIC TECHNOLOGIES, LLC AND SHOULD NOT BE USED WITHOUT WRITTEN PERMISSION											
FUNCTIONAL SYMBOLS		DIMENSION UNITS		SCALE		CURRENT REV DESC: "L MAX" DIM UPDATE: .98 WAS .97 & 1.00 WAS .98					
$\nabla_A = 0$		INCH/MM		NTS		<b>molex</b> BUTT SPLICE CONNECTOR, INSULKRIMP PRODUCT CUSTOMER DRAWING					
$\nabla_E = 0$		GENERAL TOLERANCES (UNLESS SPECIFIED)									
$\nabla_P = 0$		4 PLACES $\pm$		$\pm$							
DIVISIONAL SYMBOLS		3 PLACES $\pm$		$\pm 0.005$							
		2 PLACES $\pm$		$\pm 0.13$		EC NO: 713658		2022/07/08		DOCUMENT NUMBER	
		1 PLACE $\pm$		$\pm 0.25$		DRWN: DMYRICK		2022/07/11		DOC TYPE   DOC PART   REVISION	
		0 PLACES $\pm$		$\pm$		CHKD: THEANY		2022/07/11		SD-19154-006	
		ANGULAR TOL $\pm$		$\pm 0.5^\circ$		APPR: THEANY		2022/07/11		PSD   001   A1	
		DRAFT WHERE APPLICABLE MUST REMAIN WITHIN DIMENSIONS		THIRD ANGLE PROJECTION		DRAWING		SERIES		MATERIAL NUMBER	
						B-SIZE		19154		SEE CHART	
								CUSTOMER		GENERAL MARKET	
										SHEET NUMBER	
										1 OF 1	