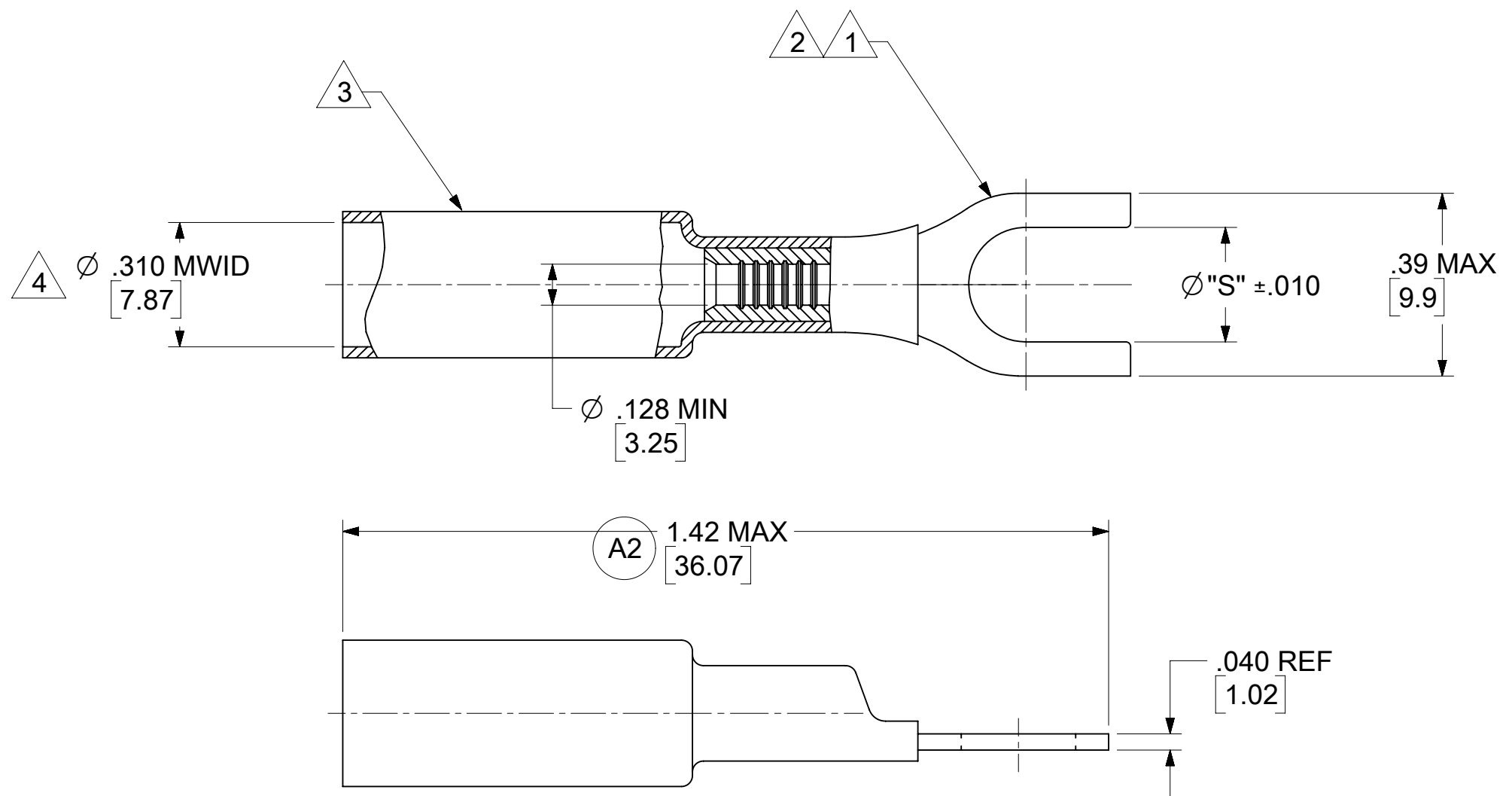


MAT'L NO.	ENG NO.	STUD SIZE	"S" SLOT ±.010 (0.25)
191640069	SC-241-06	#6	.146 (3.71)
191640070	SC-241-08	#8	.173 (4.39)
191640071	SC-241-10	#10	.198 (5.03)



NOTE(S):

- 1 TERMINAL MATERIAL: COPPER ALLOY
- 2 FINISH: ELCTRO TIN PLATE
- 3 INSULATION MATERIAL: HEAT SHRINKABLE TUBING WITH HOTMELT ADHESIVE INNER LINER.
COLOR: YELLOW
- 4 MWID = MAXIMUM WIRE INSULATION DIAMETER.
- 5. PARTS ARE RoHS COMPLIANT.

THIS DRAWING CONTAINS INFORMATION THAT IS PROPRIETARY TO MOLEX ELECTRONIC TECHNOLOGIES, LLC AND SHOULD NOT BE USED WITHOUT WRITTEN PERMISSION																																	
FUNCTIONAL SYMBOLS	DIMENSION UNITS	SCALE	CURRENT REV DESC: OAL DIM: 1.42 WAS 1.39																														
$\nabla_A = 0$	INCH/MM	NTS	<table border="1"> <tr> <td colspan="3">GENERAL TOLERANCES (UNLESS SPECIFIED)</td> </tr> <tr> <td></td> <td>MM</td> <td>INCH</td> </tr> <tr> <td>4 PLACES</td> <td>±</td> <td>±</td> </tr> <tr> <td>3 PLACES</td> <td>±</td> <td>±</td> </tr> <tr> <td>2 PLACES</td> <td>±</td> <td>±</td> </tr> <tr> <td>1 PLACE</td> <td>±</td> <td>±</td> </tr> <tr> <td>0 PLACES</td> <td>±</td> <td>±</td> </tr> <tr> <td colspan="3">ANGULAR TOL ± °</td> </tr> </table>							GENERAL TOLERANCES (UNLESS SPECIFIED)				MM	INCH	4 PLACES	±	±	3 PLACES	±	±	2 PLACES	±	±	1 PLACE	±	±	0 PLACES	±	±	ANGULAR TOL ± °		
GENERAL TOLERANCES (UNLESS SPECIFIED)																																	
	MM	INCH																															
4 PLACES	±	±																															
3 PLACES	±	±																															
2 PLACES	±	±																															
1 PLACE	±	±																															
0 PLACES	±	±																															
ANGULAR TOL ± °																																	
DIVISIONAL SYMBOLS			<table border="1"> <tr> <td>EC NO: 685422</td> <td>2021/11/12</td> </tr> <tr> <td>DRWN: DMYRICK</td> <td>2021/11/17</td> </tr> <tr> <td>CHKD: NKENSINGER</td> <td>2021/11/17</td> </tr> <tr> <td>APPR: NKENSINGER</td> <td>2021/11/17</td> </tr> </table>							EC NO: 685422	2021/11/12	DRWN: DMYRICK	2021/11/17	CHKD: NKENSINGER	2021/11/17	APPR: NKENSINGER	2021/11/17																
EC NO: 685422	2021/11/12																																
DRWN: DMYRICK	2021/11/17																																
CHKD: NKENSINGER	2021/11/17																																
APPR: NKENSINGER	2021/11/17																																
			INITIAL REVISION:				DOCUMENT NUMBER																										
			DRWN: APPR:				SD-19164-048		PSD	001																							
			THIRD ANGLE PROJECTION		DRAWING	SERIES	MATERIAL NUMBER	CUSTOMER	SHEET NUMBER																								
			DRAFT WHERE APPLICABLE MUST REMAIN WITHIN DIMENSIONS		B-SIZE	19164		GENERAL MARKET	1 OF 1																								