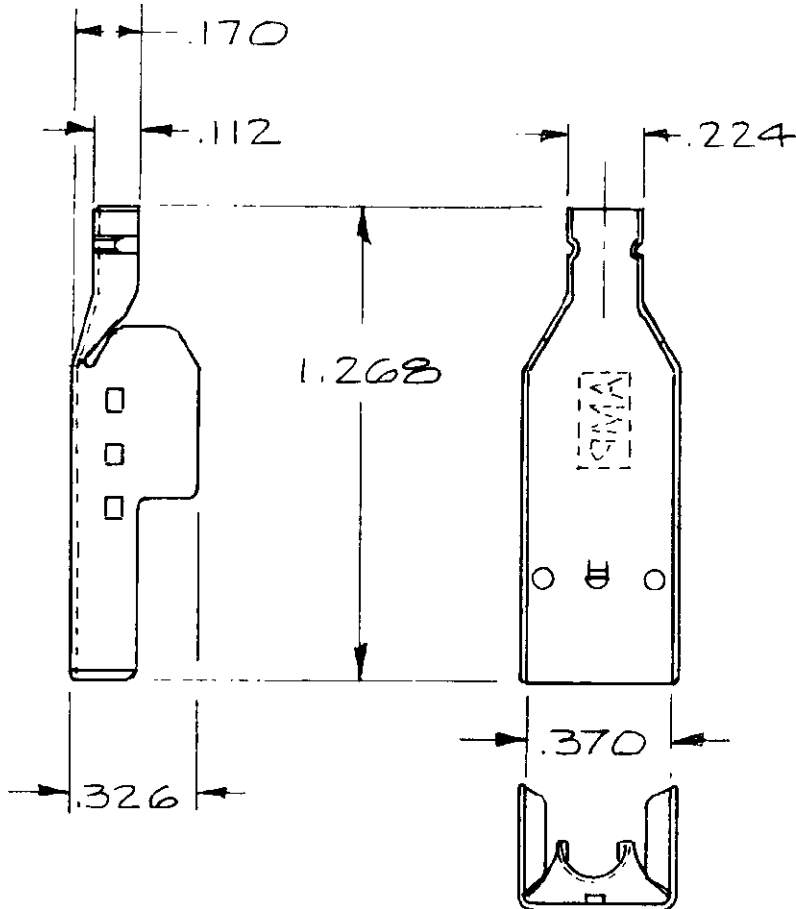



© COPYRIGHT 1982 BY AMP INCORPORATED, HARRISBURG, PA. ALL INTERNATIONAL RIGHTS RESERVED. AMP INCORPORATED PRODUCTS COVERED BY U. S. AND FOREIGN PATENTS AND /OR PATENTS PENDING.

REVISIONS				
LTR	DESCRIPTION	DATE	APPROVED	
<i>0</i>	<i>ALL WAS 5238-11</i>	<i>7-16-82</i>		
<i>A</i>	<i>REV LOC &amp; DIST AD-4171</i>	<i>JPG 11-21-89</i>	<i>BF</i>	
<i>B</i>	<i>REV PER 0G3C-0449-00</i>	<i>30OCT00</i>	<i>JM</i>	

*102988-2 1. AS SHOWN*



		PART NO	
UNLESS OTHERWISE SPECIFIED DIMENSIONS ARE IN INCHES. TOLERANCES ON: DECIMALS ± .010 ANGLES ±	CONTRACT NO	 <b>AMP INCORPORATED</b> Harrisburg, Pa.	
	DRG <i>0 asch 7-1-82</i>		
MATERIAL COPPER ALLOY .020 TH'K	CHK <i>J. Landis 7/20/82</i>	NAME SHELL, OUTER, 180° CABLE EXIT AMP MODU & AMP MODU MT, 6 POSITION SHIELDED CONNECTOR	
FINISH PRE-TINNED .000030 MIN.	APPD <i>J. Landis 7/20/82</i>		
	APPD <i>J. Landis 7/20/82</i>	SIZE <b>A</b>	CODE IDENT NO <b>00779</b>
	DSGN APPD	DRAWING NO <i>102988</i>	
	OTHER APPD	SCALE <i>N.T.S.</i>	SHEET <i>1 OF 1</i>