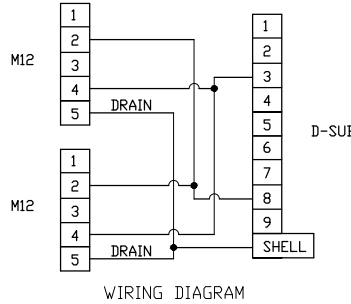
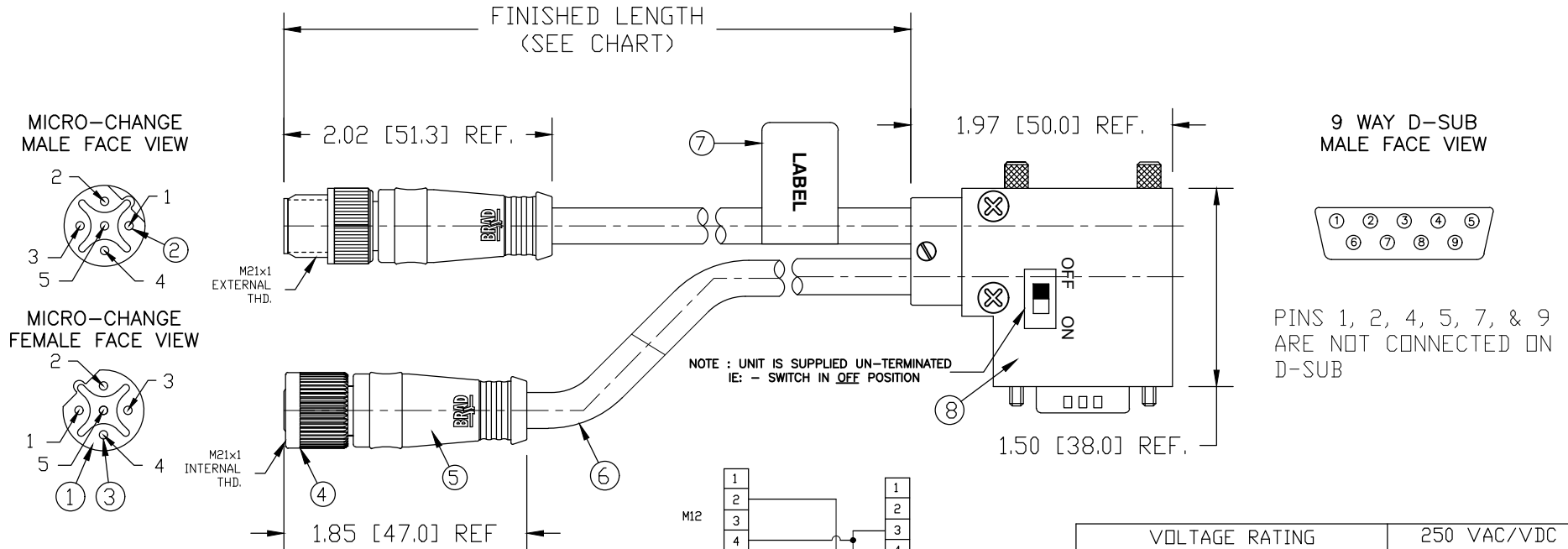


MATERIAL NUMBER	ENGINEERING NUMBER	FINISHED LENGTH
1200980051	BM5G72PP4M010	1.0M +55.6mm -0 [3.28' +2.19" -0]
1200980053	BM5G72PP4M050	5.0M +165.1mm -0 [16.40' +6.50" -0]



VOLTAGE RATING	250 VAC/VDC
AMPERAGE RATING	4 AMPS
PROTECTION FOR M12 CONNECTOR	IP67
PROTECTION FOR D-SUB	IP40
OPERATING TEMPERATURE - M12 HEAD	-20°C TO 80°C
OPERATING TEMPERATURE - D-SUB	0°C TO 60°C

ITEM	COMPONENT	MATERIAL	FINISH
1	M12 INSERT	NYLON	BLACK
2	CONTACT PIN	COPPER ALLOY	GOLD OVER NICKEL
3	CONTACT SOCKET	COPPER ALLOY	GOLD OVER NICKEL
4	COUPLING NUT	BRASS	NICKEL PLATED
5	OVERMOLD	PUR	YELLOW
6	CABLE- 24 AWG, COPPER STRANDING, TWISTED PAIR, SHIELD WITH BRAID	PUR	PURPLE
7	LABEL	MLYAR	BLACK/YELLOW
8	D-SUB	ABS	BLACK

FUNCTIONAL SYMBOLS									
$F_A=0$	$F_C=0$	$F_P=0$	THIS DRAWING CONTAINS INFORMATION THAT IS PROPRIETARY TO MOLEX ELECTRONIC TECHNOLOGIES, LLC AND SHOULD NOT BE USED WITHOUT WRITTEN PERMISSION						
DIMENSION UNITS		SCALE		CURRENT REV DESC: CHANGE WIRE GAUGE FROM 22AWG					
INCH/MM		1:1		GENERAL TOLERANCES (UNLESS SPECIFIED)					
		mm	INCH	EC NO: 639089 DRWN: CCHRSTKA 2020/06/05 CHK'D: MZIELINSKI 2020/06/08 APPR: BWOODMAN 2020/06/11					
4 PLACES	±----	±----	±----						
3 PLACES	±----	±----	±----	INITIAL REVISION: DRWN: LHARTMAN 2009/08/27 APPR: JFMURPHY 2009/08/28					
2 PLACES	±----	±----	±----						
1 PLACE	±----	±----	±----	DOCUMENT NUMBER: SD-120098-018 DOC TYPE: PSD DOC PART: 001 REVISION: B					
0 PLACES	±----	±----	±----						
ANGULAR TOL ± °----				MATERIAL NUMBER: SEE TABLE CUSTOMER: GENERAL MARKET SHEET NUMBER: 1 OF 1					
DRAFT WHERE APPLICABLE MUST REMAIN WITHIN DIMENSIONS		THIRD ANGLE PROJECTION							
		DRAWING: A-SIZE		SERIES: 120098					

DOCUMENT STATUS: P1 RELEASE DATE: 2020/06/11 16:47:47