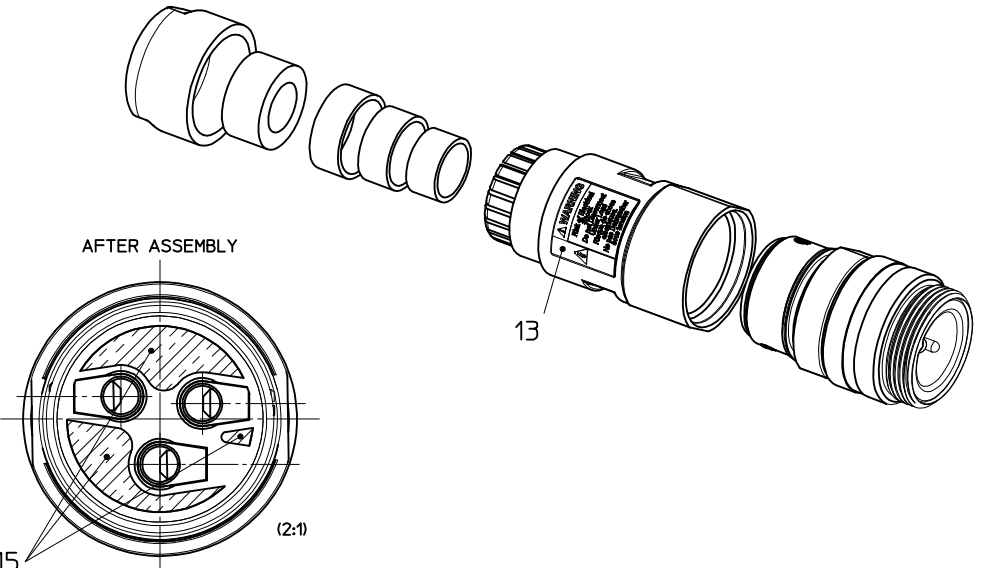
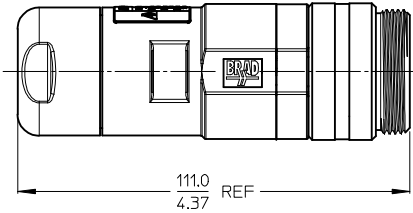
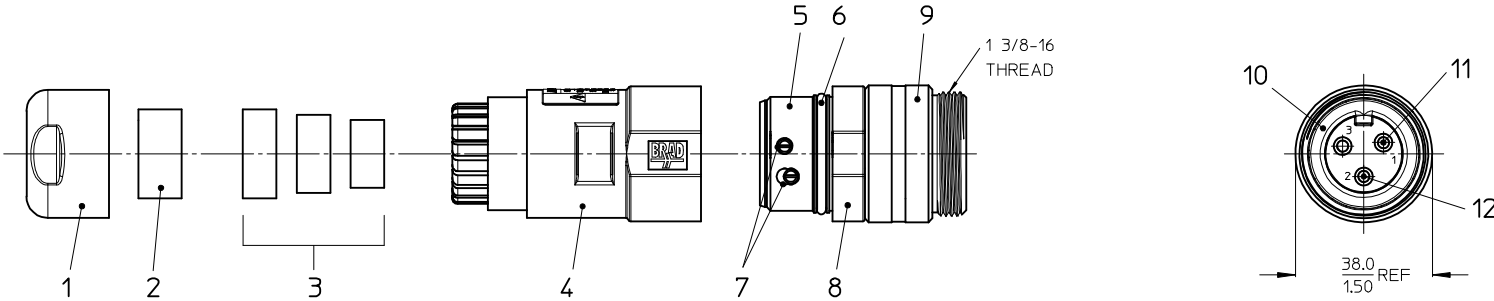


NOTES:

1. MATERIAL: SEE TABLE
2. FINISHES: SEE TABLE
3. PACKAGING: PART IS PACKED IN CLEAR POLY BAG WITH BARCODE LABEL ATTACHED
4. MATES WITH: BRAD FEMALE RECEPTACLE
5. WIRE RANGE: 8 AWG - 14 AWG (10mm² - 2.5mm²)
6. CABLE OD RANGE: .48 - .81 (12.2mm - 20.6mm)
7. ELECTRICAL SPECIFICATIONS:
 - VOLTAGE RATING: 600V AC
 - CURRENT RATING:
 - 8 AWG - 32 AMPS
 - 10 AWG - 32 AMPS **(B)**
 - 12 AWG - 20 AMPS
 - 14 AWG - 15 AMPS
8. ENVIRONMENTAL PROTECTION: IP67, IP69K



14+15
ULTIMATE HIGH POTTING MATERIAL
ABOUT 2mm UNTIL UNDER THE EDGE



ITEM	COMPONENT	MATERIAL	FINISH
1	NUT M32	PA66	BK
2	GASKET MO 14.8x12.25	CR	GY
3	GASKETS MO (SMALL,MEDIUM,LARGE)	CR	BK
4	HOUSING FA M32	PA66	BK
5	INSERT ADAPTER	PA66	BK
6	GASKET OR 29x2.5	NBR	BK
7	SCREW M4x10	V2A	-
8	COUPLING RING	PA66	BK
9	NUT, INTERNAL THREAD	AL	AN (NATUR)
10	INSERT AC	PVC	-
11	CONTACT MA	CU ALLOY	AU PLATED
12	CONTACT MA LEAD, PIN	CU ALLOY	AU PLATED
13	WARNING LABEL	PLASTIC FILM	-
14	POTTING MATERIAL	WEVO RESIN PU 552 FL NATUR 50	-
15	MPIS RESIN HARDNER	-	-

MATERIAL NO.	ENGINEERING NO.
1300700022 (FINISHED PART)	CA3006-39
1203360005 (PRE-ASSEMBLED)	1930 00090 08004

CURRENT WAS 30 AMPS EC NO: IPC2017-0717 DRWNR:STONE 2017/01/26 CHKD:K COX 2017/01/30 APPR:WOODMAN 2017/02/04	QUALITY SYMBOLS ▽=0 ▽=0	GENERAL TOLERANCES (UNLESS SPECIFIED) <table border="1"> <thead> <tr> <th></th> <th>mm</th> <th>INCH</th> </tr> </thead> <tbody> <tr> <td>4 PLACES</td> <td>± .005</td> <td>± .0005</td> </tr> <tr> <td>3 PLACES</td> <td>± .005</td> <td>± .0005</td> </tr> <tr> <td>2 PLACES</td> <td>± .005</td> <td>± .001</td> </tr> <tr> <td>1 PLACE</td> <td>± 0.3</td> <td>± .012</td> </tr> <tr> <td>0 PLACE</td> <td>± .005</td> <td>± .0005</td> </tr> </tbody> </table>		mm	INCH	4 PLACES	± .005	± .0005	3 PLACES	± .005	± .0005	2 PLACES	± .005	± .001	1 PLACE	± 0.3	± .012	0 PLACE	± .005	± .0005	DIMENSION STYLE MM/IN	SCALE 1:1	DESIGN UNITS METRIC	THIRD ANGLE PROJECTION
		mm	INCH																					
	4 PLACES	± .005	± .0005																					
	3 PLACES	± .005	± .0005																					
2 PLACES	± .005	± .001																						
1 PLACE	± 0.3	± .012																						
0 PLACE	± .005	± .0005																						
DRAWN BY RSCHIEBER	DATE 2012/10/17	CHECKED BY APOHL	DATE 2012/10/24	TITLE FA 3P AC MA STR UNSH																				
APPROVED BY CBURGER	DATE 2013/06/03	MATERIAL NO. SEE CHART			DOCUMENT NO. SD-120336-003	SHEET NO. 1 OF 1																		
DRAFT WHERE APPLICABLE MUST REMAIN WITHIN DIMENSIONS																								