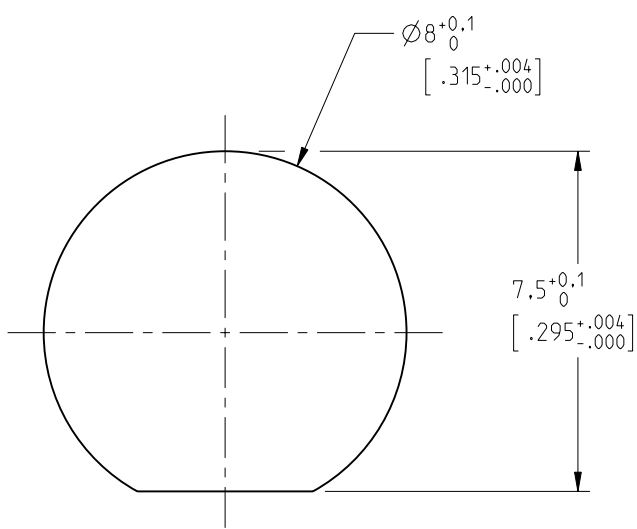
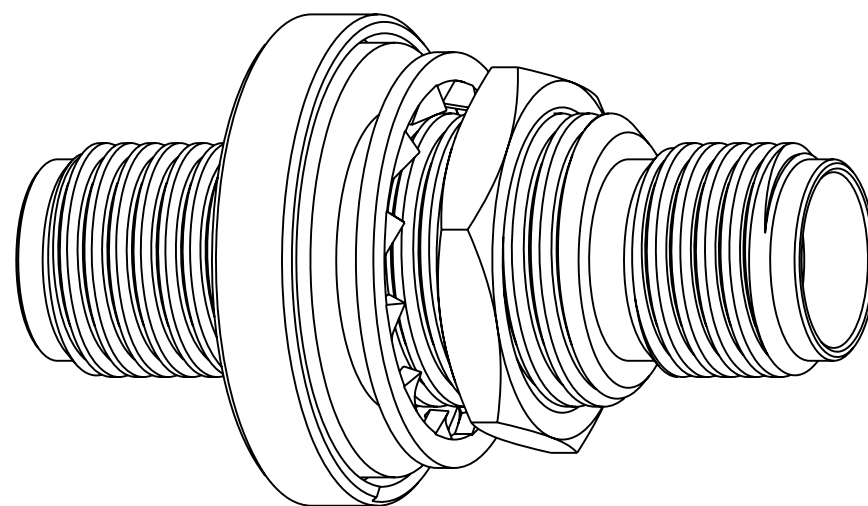


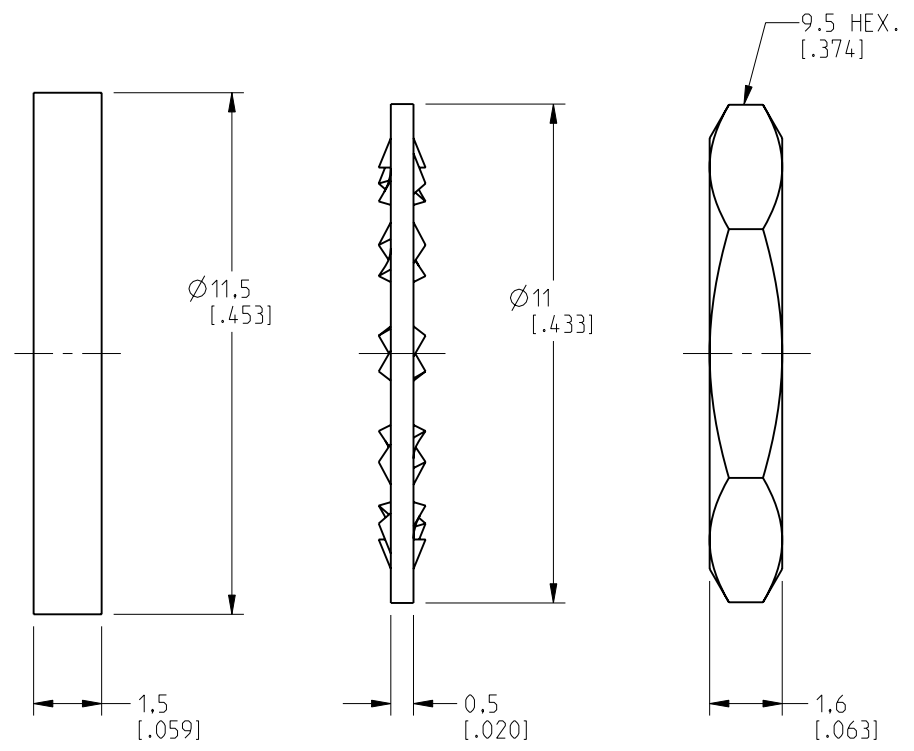
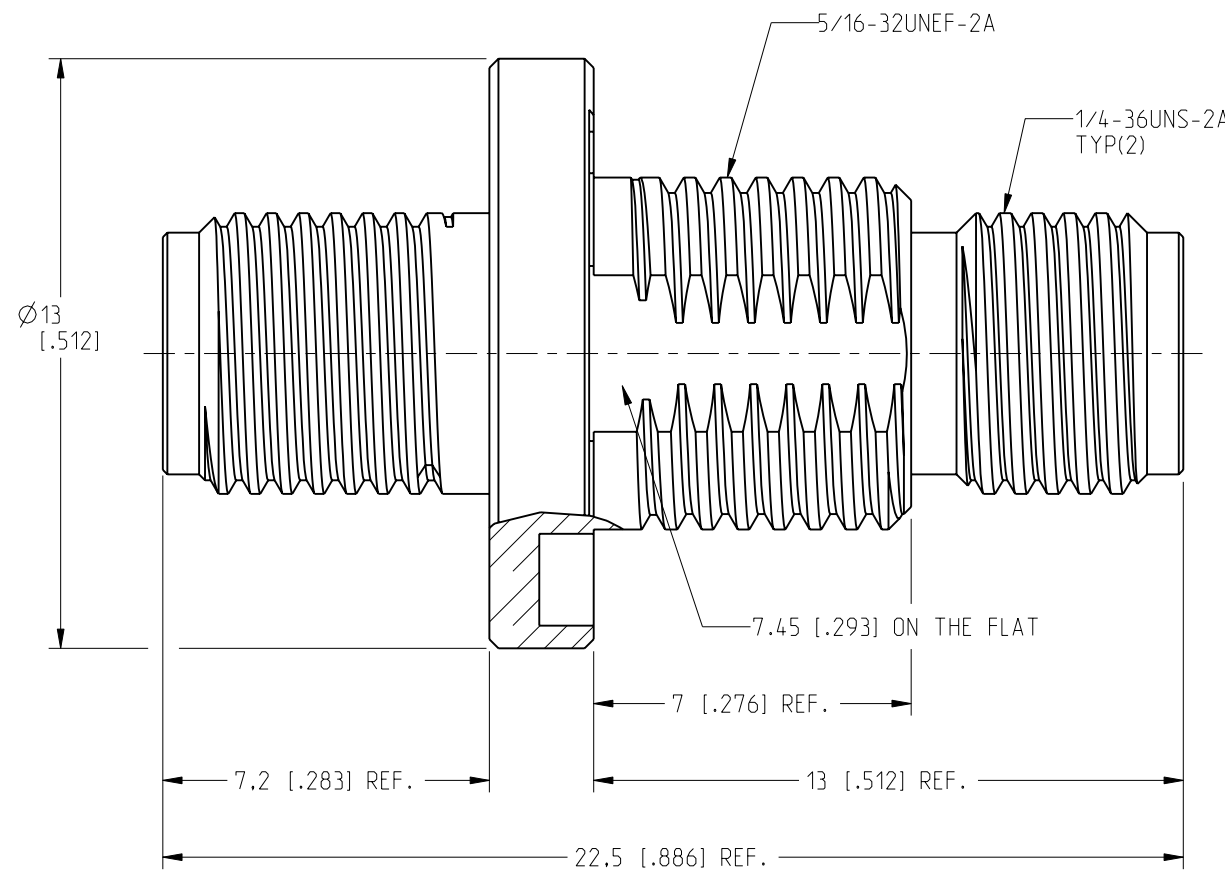
NOTES:

1. MATERIALS AND FINISHES:
 - HEX NUT - BRASS, TIN-NICKEL ALLOY PLATING
 - LOCK WASHER - BRASS, TIN-NICKEL ALLOY PLATING
 - BODY - BRASS, TIN-NICKEL ALLOY PLATING
 - CONTACT - BERYLLIUM COPPER, GOLD PLATING
 - GASKET - SILICONE RUBBER, RED
 - INSULATOR - PTFE, NATURAL
2. ELECTRICAL:
 - A. IMPEDANCE: 50 OHM
 - B. FREQUENCY RANGE: 0-18 GHz
 - C. VSWR (RETURN LOSS): 1.30 (-17.7 dB) MAX.
 - D. DIELECTRIC WITHSTANDING VOLTAGE: 1000 VRMS, MIN.
3. MECHANICAL:
 - A. DURABILITY: 500 CYCLES MIN.
 - B. TEMPERATURE RANGE: -65°C TO +165°C
 - C. SALT SPRAY PER MIL-STD-202, METHOD 101, WITH FOLLOWING PARAMETERS:
 - 1) TEST CONDITION B
 - 2) 5% SALT SOLUTION
 - 3) CYCLE REPEATED TO 720 HOURS
4. PACKAGING:
 - A. QUANTITY: SINGLE PACK
 - B. MARKING: PACKAGING TO BE MARKED "AMPHENOL RF, 132170-12-EE & DATE CODE"
5. MAX. PANEL THICKNESS = 4.3 [.169]

REVISIONS				
REV	DESCRIPTION	DATE	ECN	BY
A	RELEASE TO MFG.	09-JUN-22	16276	SH



RECOMMENDED MOUNTING HOLE



CUSTOMER OUTLINE DRAWING
ALL OTHER SHEETS ARE FOR INTERNAL USE ONLY

NOTICE: These drawings, specifications, or other data (1) are, and remain the property of Amphenol corp. (2) must be returned upon request; and (3) are confidential and not to be disclosed to any person other than those to whom they are given by Amphenol Corp. The furnishing of these drawings, specifications, or other data by Amphenol Corp., or to any other person to anyone for any purpose is not to be regarded by implication or otherwise in any manner licensing, granting rights to permitting such holder or any other person to manufacture, use or sell any product, process or design, patented or otherwise, that may in any way be related to or disclosed by said drawings, specifications, or other data.			UNLESS OTHERWISE SPECIFIED DIMENSIONS ARE METRIC (INCHES) AND TOLERANCES ARE: <0.5mm = ±0.05mm [$<0.020 = \pm 0.002$] >0.5 - 6mm = ±0.1mm [$>0.020 - 0.236 = \pm 0.004$] >6.00 - 30mm = ±0.2mm [$>0.236 - 1.181 = \pm 0.008$] >30.00 - 120mm = ±0.3mm [$>1.181 - 4.725 = \pm 0.012$] ANGLES = ±1°			MATERIAL SEE NOTES			TITLE IP-68 SMA JACK TO SMA JACK BULKHEAD ADAPTOR EXTREME EXPOSURE			Amphenol RF														
THIRD ANGLE PROJ.			REFERENCE 132170-12, DE7863			ENGR.1 C.VIGORITO			ENGR.2 M.ZHANG			DATE 06-May-22			SHEET NO. 2 OF 2			SCALE: 6.0:1.0			DRAWING NO. 132170-12-EE ITEM NO. 132170-12-EE PART NO. 132170-12-EE			REV A		