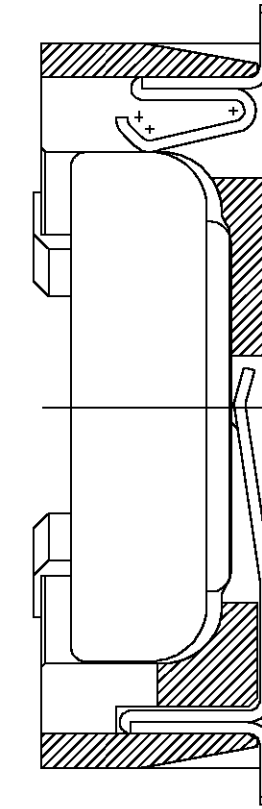
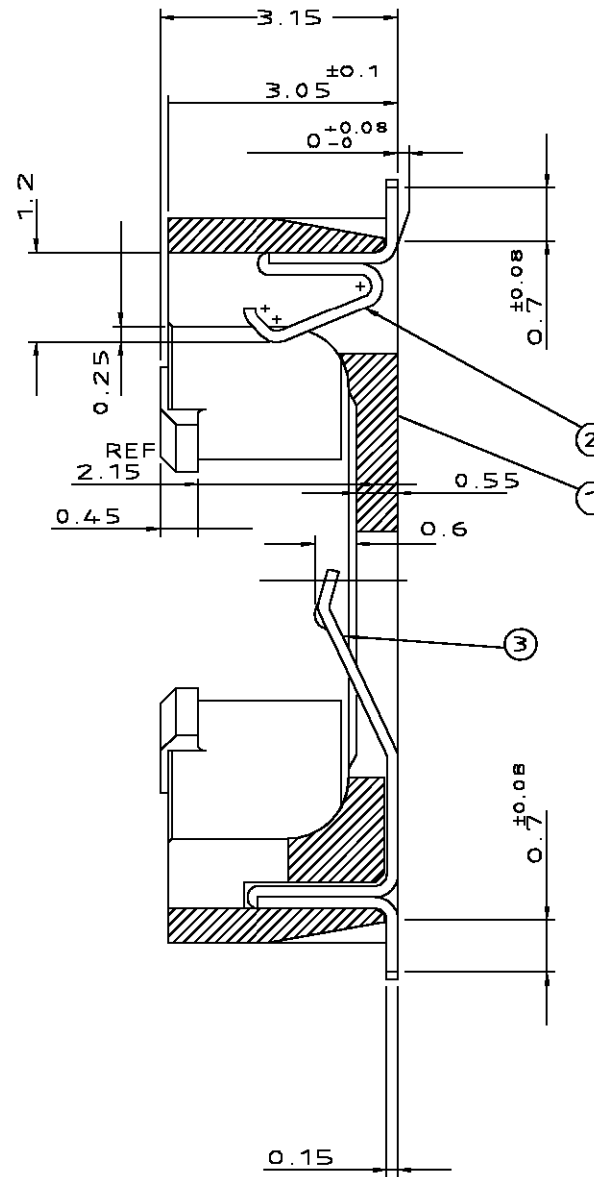
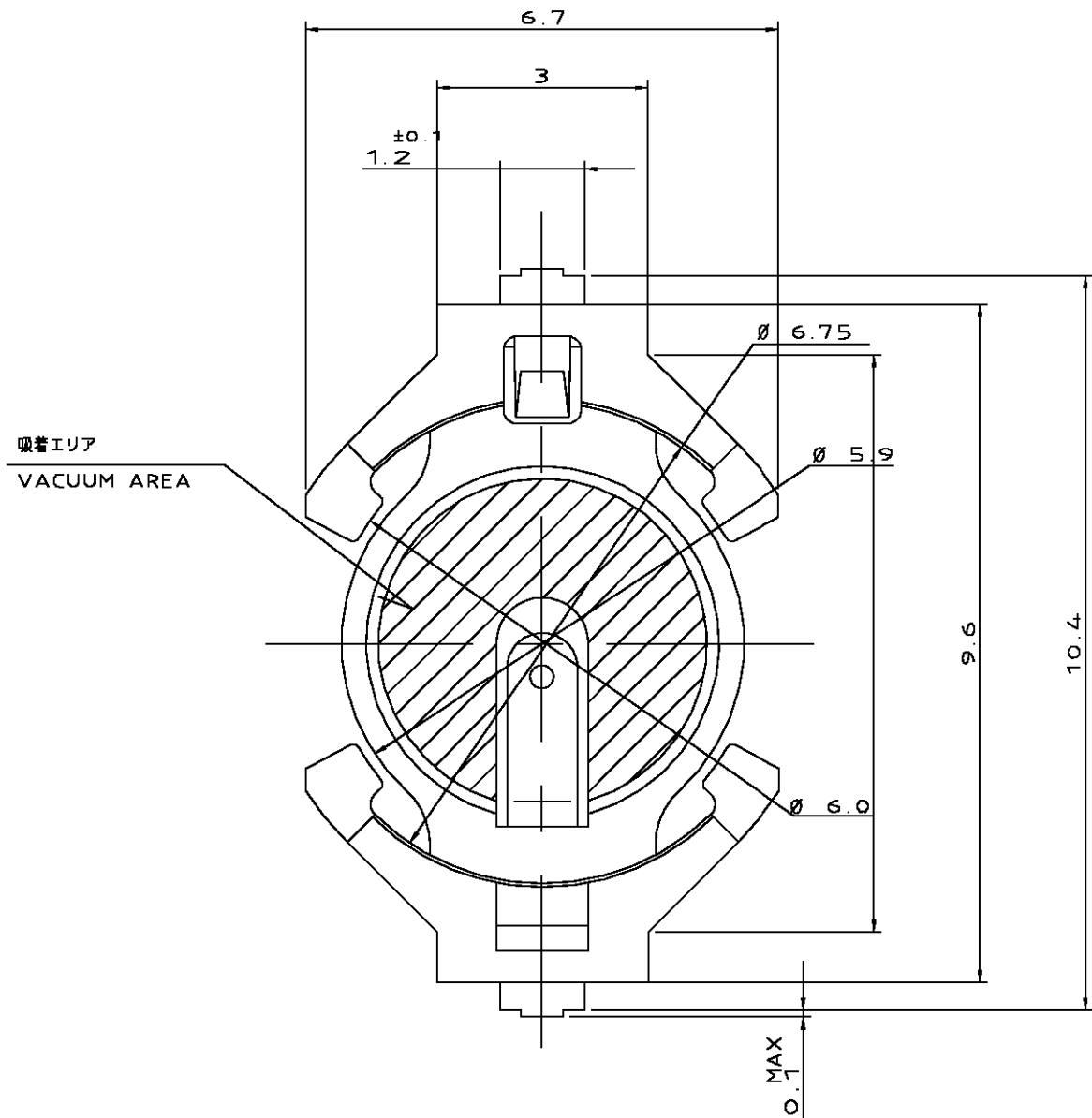


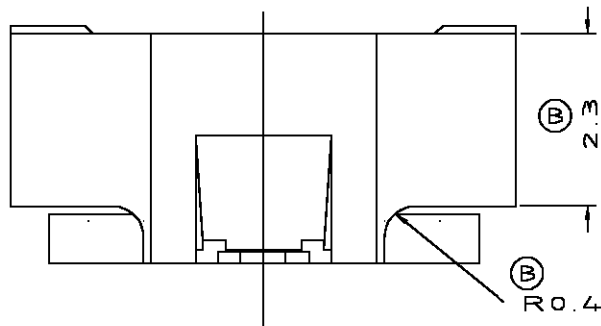
THIS DRAWING IS UNPUBLISHED. RELEASED FOR PUBLICATION  
 © COPYRIGHT BY TYCO ELECTRONICS CORPORATION. ALL RIGHTS RESERVED.

LOC	DIST	REVISIONS					
		P	LTR	DESCRIPTION	DATE	DWN	APVD
J	—	O		RELEASED (FJ00-0257-00)	25APR00	T.K	K.I
		A		REVISED (FJ00-1428-00)	18OCT00	C.O	K.I
		B		REVISED (FJ00-2037-00)	05OCT01	C.O	K.I



- 1; 本図  
 - 1; AS SHOWN

電池接着図  
 HOLDING BATTERY DWG.



MATERIAL	NAME	ITEM
STAINLESS STEEL	- CONTACT	③
STAINLESS STEEL	+ CONTACT	②
THERMOPLASTIC (GREEN)	HOUSING	①

THIS DRAWING IS A CONTROLLED DOCUMENT.		DWN T.KIMURA 14APR00	Tyco Electronics AMP K.K. Kawasaki, Japan	
DIMENSIONS: 単位: 転 MM		CHK K.IKEGAMI 25APR00		
TOLERANCES UNLESS OTHERWISE SPECIFIED: 一般公差		APVD K.IKEGAMI 25APR00	NAME 名称 BATTERY HOLDER FOR ML621	
0 PLC ± 0.15 1 PLC ± 0.25 2 PLC ± 0.3 3 PLC ± - 4 PLC ± - ANGLES ± 3°		PRODUCT SPEC 製品規格 108-5697	SIZE A3	
MATERIAL 材料		APPLICATION SPEC 取付適用規格 114-5248	CAGE CODE 00779	DRAWING NO 番号 C-1376164
FINISH 仕上		WEIGHT 0.094	RESTRICTED TO -	
CUSTOMER DRAWING		SCALE 尺度 10:1		SHEET 1 OF 2
				REV B

4

3

2

1

THIS DRAWING IS UNPUBLISHED. RELEASED FOR PUBLICATION  
 © COPYRIGHT BY TYCO ELECTRONICS CORPORATION. ALL RIGHTS RESERVED.

LOC	DIST	REVISIONS					
J	-	P	LTR	DESCRIPTION	DATE	DWN	APVD
				SEE 1 OF 2			

テープ引き出し方向  
DIRECTION OFF TOP OF REEL

エンボステープ包装図  
EMBOSS TAPING (SCALE:1-1)

材料 PET  
MATERIAL PET

材料 両面段ボール  
MATERIAL SINGLE CORRUGATED FIBER BOARD (JIS-B-FLUTE)

WEEDING THE COVER TAPE AROUND THE OUTER PERIPHERY IN A TURN.  
継ぎ目: 165°~180°  
PEELING ANGLE

20穴  
20 HOLES MIN

WITH PRODUCT CHARGE WITHOUT CHARGE

包装数量: 2000EA/リール  
QUANTITY PER PACKING: 2000EA/REEL

リール側面に表示ラベル貼付  
LABEL ON THE SIDE OF THE REEL

FRANGE CORE DIA  
φ100±1

REEL DIA.  
φ380±1

REEL WIDTH  
25.5±1  
31.5±2

APPROX. 300mm

WITHOUT CHARGE

推奨基板パターン形状  
RECOMMENDED PATTERN DIMENSION

THIS DRAWING IS A CONTROLLED DOCUMENT.		DWN T.KIMURA 14APROO	Tyco Electronics AMP K.K. Kawasaki, Japan
DIMENSIONS: 単位: 概 MM		CHK K.IKEGAMI 25APROO	
		APVD K.IKEGAMI 25APROO	
TOLERANCES UNLESS OTHERWISE SPECIFIED: 一般公差		PRODUCT SPEC 製品規格	NAME 名称 BATTERY HOLDER FOR ML621
0 PLC ± 0.15 1 PLC ± 0.25 2 PLC ± 0.3 3 PLC ± - 4 PLC ± - ANGLES ± 3°		APPLICATION SPEC 取付適用規格	SIZE A3
MATERIAL 材料	FINISH 仕上	WEIGHT	CAGE CODE 00779
CUSTOMER DRAWING			DRAWING NO 番号 C-1376164
			RESTRICTED TO -
			SCALE 尺度 -
			SHEET 2 OF 2
			REV B

AMP 1470-19 REV 31MAR2000  
18OCT00 11:13am FJ035800