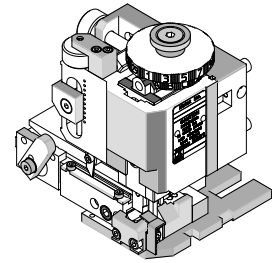


**Order Number
203702-4400**



Application Tooling Specification

FEATURES

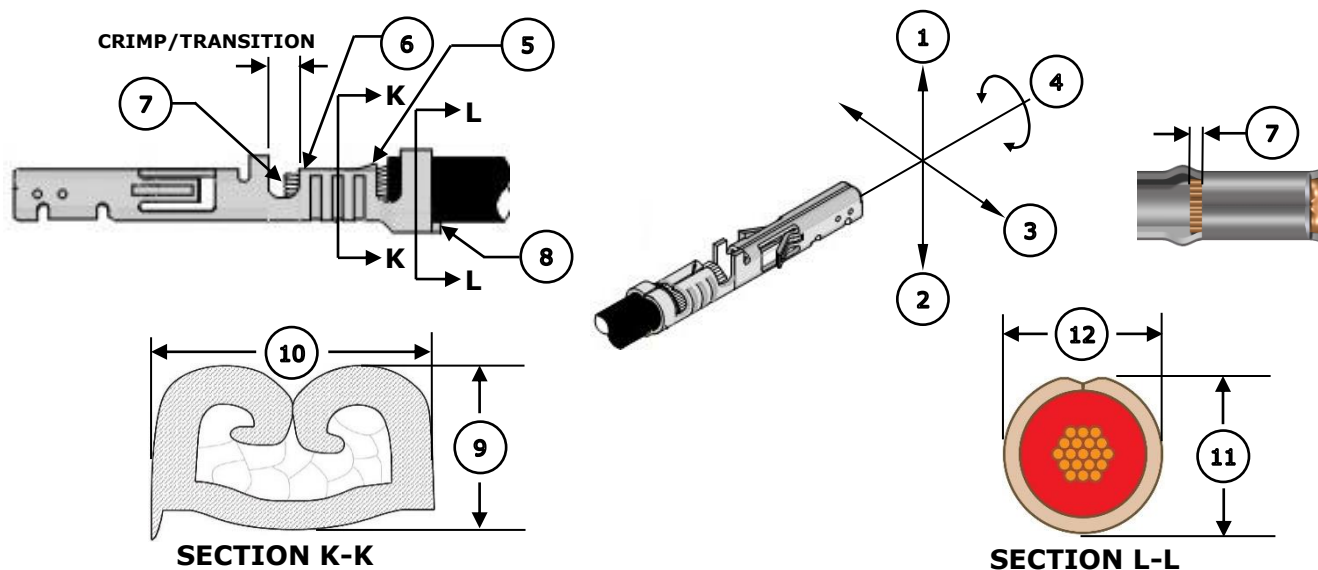
- Quick punch removal with the push of a button for fast and easy tooling change
- Applicator designed to industry-standard mounting and 135.80mm (5.346") shut height
- Quick setup time; plus, the crimp height, track and feed adjustments can be set without removing the applicator from the press
- Fine adjustment allows users to achieve target with little effort by adjusting in increments of 0.015mm (.0006") for conductor crimp height and 0.063mm (.0025") for insulation height
- Independent adjustment rings allow users to quickly adjust the conductor or insulation crimp height without affecting each other
- This tool is IPC/WHMA-A-620 Class 2 Compliant, as indicated below
- Directly adapts to most automatic wire processing machines
- For 16-18 AWG terminals, use FineAdjust applicator 203702-4300

SCOPE

Products: Ultra-Fit Tang-less Plug Crimp Terminals, 20-22 AWG (UL1061) wire.

Terminal Series No.	Terminal Order No.	Wire Size		Insulation Diameter				Strip Length	
				IPC/WHMA-A-620 (1)		Terminal (2)			
		AWG	Wire Type	mm	In.	mm	In.	mm	In.
216946	216946-5111 216946-5112 216946-5113	20-22	UL1061	1.25-1.55	.049-.061	1.30-1.50	.051-.059	3.5-4.0	.14-.16
<p>(1) To achieve optimum IPC/WHMA-A-620 class 2 insulation crimps, use this insulation OD range. (2) Overall insulation OD specification for terminal.</p>									

DEFINITION OF TERMS



Note: Image above is a generic terminal representation. The actual terminals of the scope may look different.

CRIMP SPECIFICATION

Feature	Requirement					
1. Bend Up	3° Max					
2. Bend Down	3° Max					
3. Twist	3° Max					
4. Roll	5° Max					
5. Bell Mouth Rear	0.30-0.80mm (.012-.031")					
6. Bell Mouth Front	Not Applicable					
7. Conductor Brush	0.00-1.00mm (.000-.039")					
8. Cut-Off Tab	0.20mm (.008") Max					
Conductor Crimp	Terminal Order No.	Wire Size	9. Crimp Height		10. Crimp Width (Ref)	
	216946-5111 216946-5112 216946-5113	20 AWG	0.82-0.92mm	.032-.036 In.	1.60-1.70mm	.063-.067 In.
		22 AWG	0.73-0.83mm	.029-.033 In.	1.60-1.70mm	.063-.067 In.
Insulation Crimp	Terminal Order No.	Wire Size	11. Crimp Height (Ref)		12. Crimp Width (Ref)	
	216946-5111 216946-5112 216946-5113	20 AWG	1.73mm	.068 In.	1.78mm	.070 In.
		22 AWG	1.53mm	.060 In.	1.78mm	.070 In.
Pull Force	Terminal Order No.	Wire Size	Minimum Pull Force		To be measured with no influence from the insulation crimp.	
	216946-5111 216946-5112 216946-5113	20 AWG	57.9 N	13 lb.		
		22 AWG	35.6 N	8 lb.		

Tool Qualification Notes

1. Pull force should be measured with no influence from the insulation crimp.
2. The above specifications are guidelines to an optimum crimp.
3. Terminal oiler (63801-7240) required to improve tooling life and minimize the crimp sticking in the punches. See 63800-4900 FineAdjust manual.

PARTS LIST

FineAdjust Applicator 203702-4400				
Item	Order No.	Engineering No.	Description	Quantity
Perishable Tooling				
	203702-4470	203702-4470	Tool Kit (All "Y" Items)	REF
1	200216-1607	200216-1607	Conductor Punch	1 Y
2	63445-1673	63445-1673	Conductor Anvil	1 Y
3	63454-1802	63454-1802	Insulation Punch	1 Y
4	63456-0132	63456-0132	Insulation Anvil	1 Y
5	63443-0002	63443-0002	Cut-Off Plunger	1 Y
6	63443-0012	63443-0012	Front Plunger Retainer	1 Y
Other Components				
7	11-17-0022	1739-21	Compression Spring	1
8	11-18-4083	60707-8	Feed Guide	1
9	11-24-1067	4996-4	Cut-Off Plunger Spring	1
10	63443-0009	63443-0009	Front Scrap Chute	1
11	63443-0024	63443-0024	Key	1
12	63443-0090	63443-0090	Wire Stop	1
13	63443-0093	63443-0093	Shank	1
14	200213-7502	200213-7502	Anvil Mount	1
15	63443-2802	63443-2802	Front Plunger Striker	1
16	63443-2911	63443-2911	Wire Hold Down Plunger	1
17	63443-7101	63443-7101	Terminal Hold Down	1
18	63443-6113	63443-6113	Rear Cover	1
19	63600-0021	63600-0021	Compression Spring	1
Frame				
20	63800-4901	63800-4901	Top	1
21	63801-3281	63801-3281	Base	1
22	63801-4650	63801-4650	Track	1
Hardware				
23	—	—	M3 by 6 Long SHCS	2*
24	—	—	M3 by 6 Long FHCS	1*
25	—	—	M3 by 8 Long SHCS	1*
26	—	—	M4 by 6 Long SHCS	2*
27	—	—	M4 by 12 Long BHCS	2*
28	—	—	M4 by 50 Long SHCS	2*
29	—	—	M5 by 12 Long SHCS	1*
30	—	—	M5 by 10 Long Flat Point SSS	1*
31	—	—	M5 Hex Jam Nut	1*
* Available from an industrial supply company.				

ASSEMBLY DRAWING

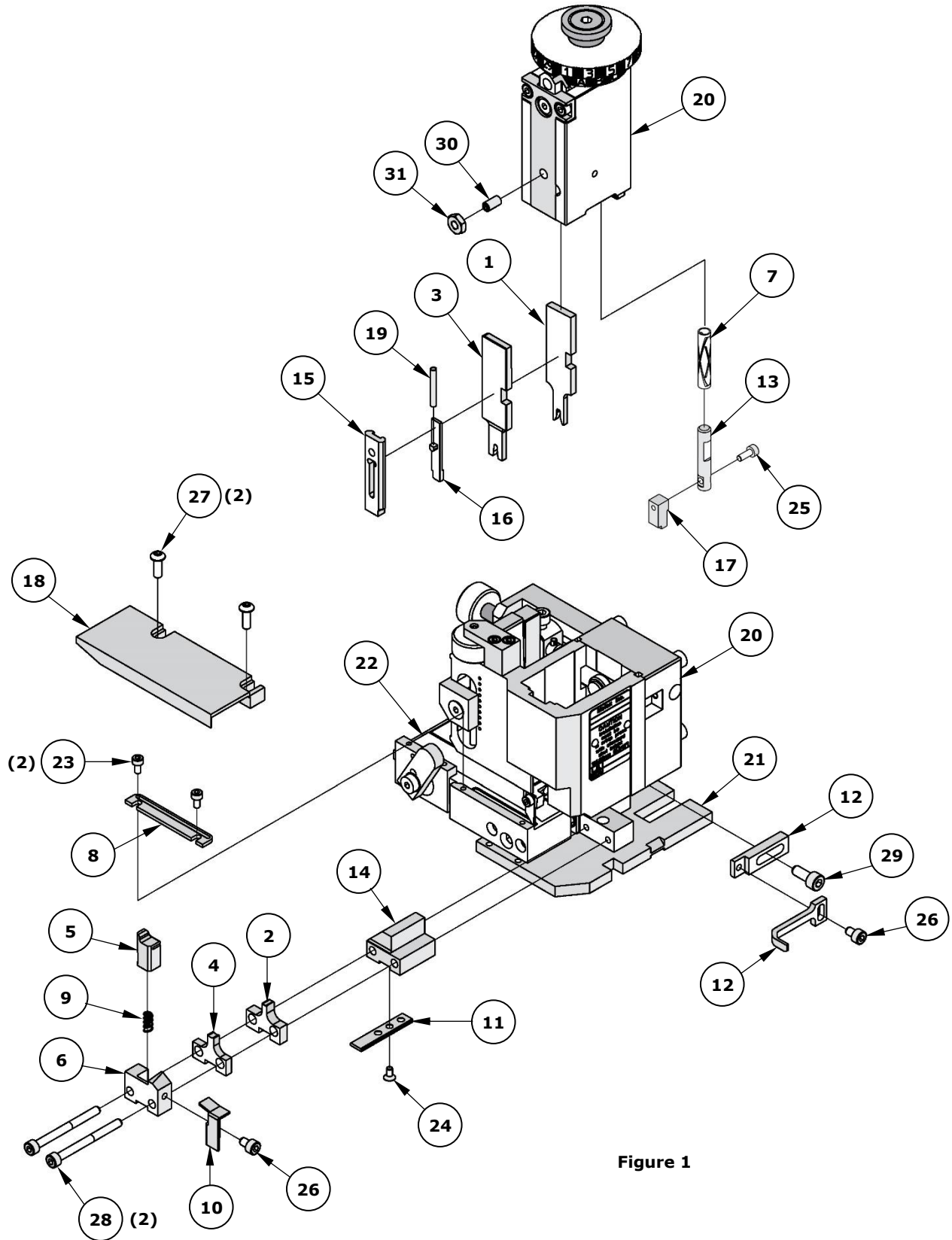


Figure 1

NOTES

1. Molex recommends that an extra perishable tooling kit be maintained at your facility.
2. Verify tooling alignment by manually cycling the press and applicator before crimping under power. Check that all screws are tight.
3. Slugs, terminals, dirt and oil should be kept clear of the work area.
4. Wear safety glasses at all times.
5. For recommended maintenance, refer to the FineAdjust manual.

CAUTION: This applicator should only be used in a press with a shut height of 135.8mm (5.346"). Tooling damage could result at a lower setting.

CAUTION: To prevent injury, never operate this applicator without the guards supplied with the press or wire-processing machine in place. Reference the press or wire processing manufacturer's instruction manual.

CAUTION: Molex crimp specifications are valid only when used with Molex terminals, applicators and tooling.

Application Tooling Support

Phone: (402) 458-TOOL (8665)

E-Mail: toolingsupport@molex.com

Website: www.molex.com/applicationtooling

Molex is a registered trademark of Molex, LLC in the United States of America and may be registered in other countries; all other trademarks listed herein belong to their respective owners.