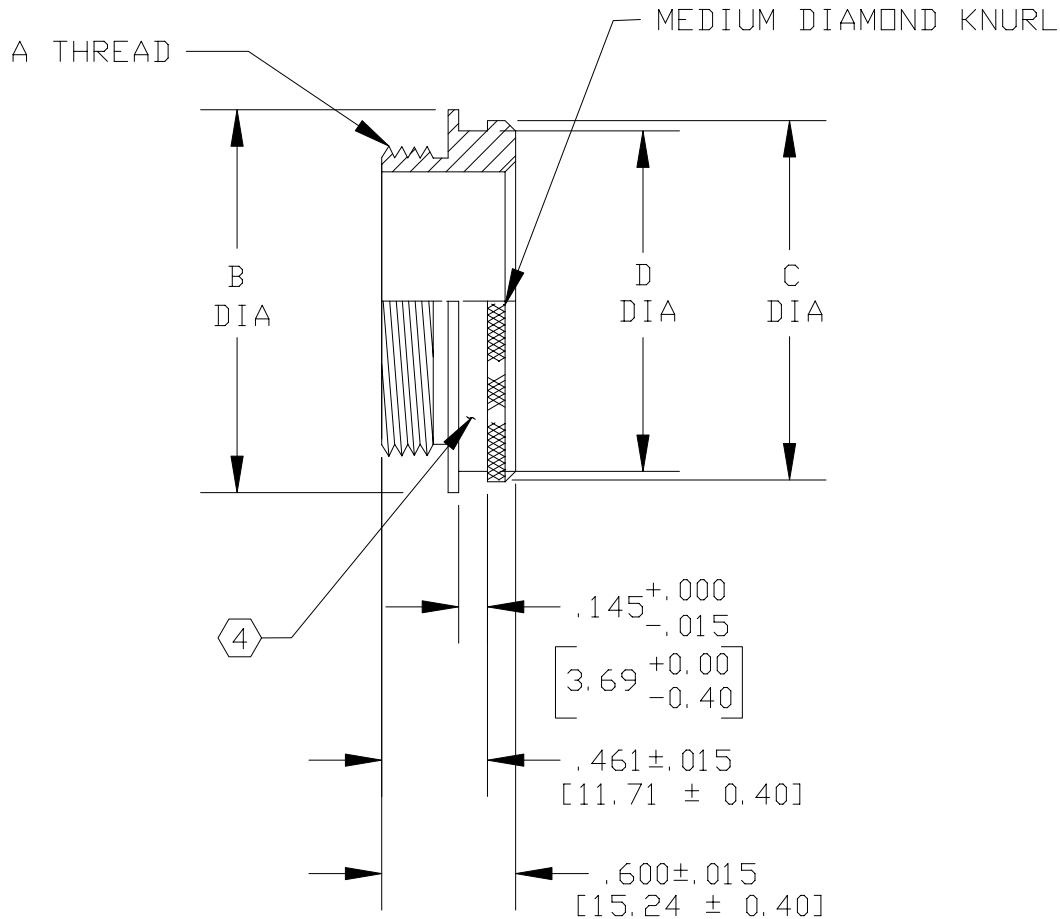


REVISIONS			
LTR	DESCRIPTION	DATE	APPROVED
C	REVISED PER ECN AD93032		



NOTES:

1. THIS PRODUCT IS DESIGNED TO TERMINATE A HEAT SHRINKABLE LIPPED BOOT TO A CONNECTOR.
2. FOR MATERIAL AND FINISH AVAILABILITY REFER TO CH00-0250-004.
3. ADAPTER TO BE PERMANENTLY MARKED WITH CODE IDENT. NO. AND PART NO. (E.G.: 06090-203M512-19B).
- ④ KNURL INSIDE BOOT GROOVE MAY BE SUPPLIED AT MANUFACTURER'S OPTION.
- ⑤ ADAPTER MATES TO DEUTSCH COMMERCIAL CONNECTORS. (DM, DS, DD, DSM, STK, RTK, ETC).

If this document is printed it becomes uncontrolled.  
Check for the latest revision.

SPECIFICATION CONTROL DRAWING

UNLESS OTHERWISE SPECIFIED DIMENSIONS ARE IN INCHES. METRIC DIMENSIONS ARE IN BRACKETS.  DECIMALS .XXX ± — [ mm] .XX ± — [ mm] .X ± — [ mm]  ANGLES .X ± —	DRAWN G. ROSITANO DATE 07-22-93		Tyco Electronics Corporation 300 Constitution Drive Menlo Park, CA. 94025 U.S.A.			
	CHECKED DATE				TITLE ADAPTER, SOLID CODE 71	
	APPROVED DATE	CAD NAME \ACAD12\203M5XX	SIZE A	CODE IDENT. NO. 06090	DWG. NO. 203M5XX	REV C
	THIRD ANGLE PROJECTION 	DO NOT SCALE THIS DWG		SHEET 1 OF 2		

BASE PART NUMBER	SHELL SIZE		A R. H. THREAD CLASS 2A	B	C	D
	DM. ETC	STK RTK		+ .015 - .031 [+0.38] [-0.79] DIA	+ .015 - .000 [+0.38] [-0.00] DIA	+ .000 - .010 [+0.00] [-0.25] DIA
203M503	3	10	.500-28 UNEF	.750 [19.05]	.674 [17.11]	.586 [14.89]
203M507	7		.625-24 UNEF	.875 [22.23]	.799 [20.29]	.711 [18.06]
203M508		8	.375-32 UNEF	.625 [15.88]	.549 [13.94]	.461 [11.71]
203M512	12	14	.750-20 UNEF	1.000 [25.40]	.924 [23.46]	.836 [21.24]
203M519	19	16	.875-20 UNEF	1.125 [28.58]	1.049 [26.64]	.961 [24.41]
203M527	27	18	1.000-20 UNEF	1.250 [31.75]	1.224 [31.08]	1.086 [27.59]
203M537	37		1.188-18 UNEF	1.500 [38.10]	1.412 [35.86]	1.274 [32.36]
203M561	61		1.500-18 UNEF	1.750 [44.45]	1.662 [42.21]	1.524 [38.71]

If this document is printed it becomes uncontrolled.  
Check for the latest revision.

SIZE	CODE IDENT. NO.	DWG. NO.	REV
A	06090	203M5XX	C
DO NOT SCALE THIS DWG		CAD NAME \ACAD12\203M5X-2	SHEET 2 OF 2