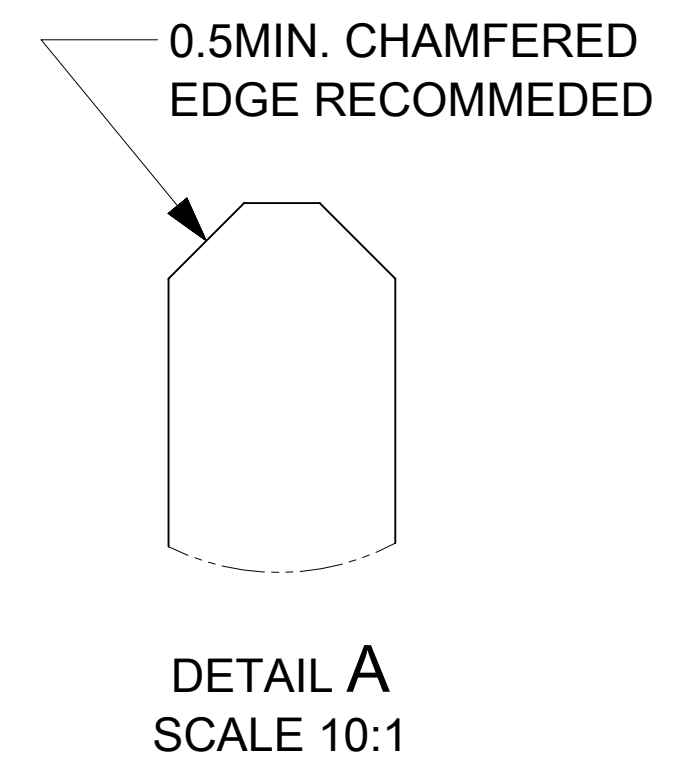
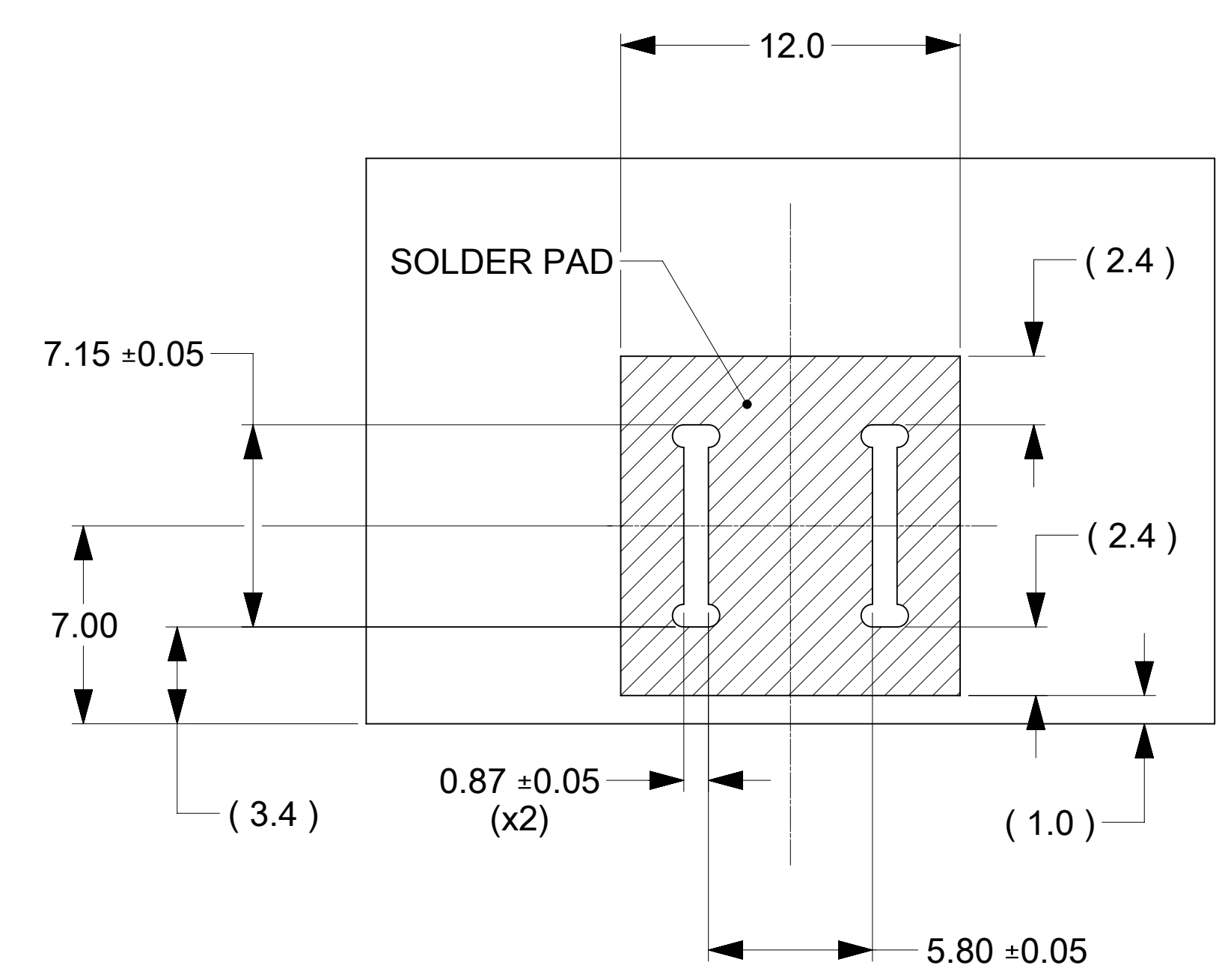
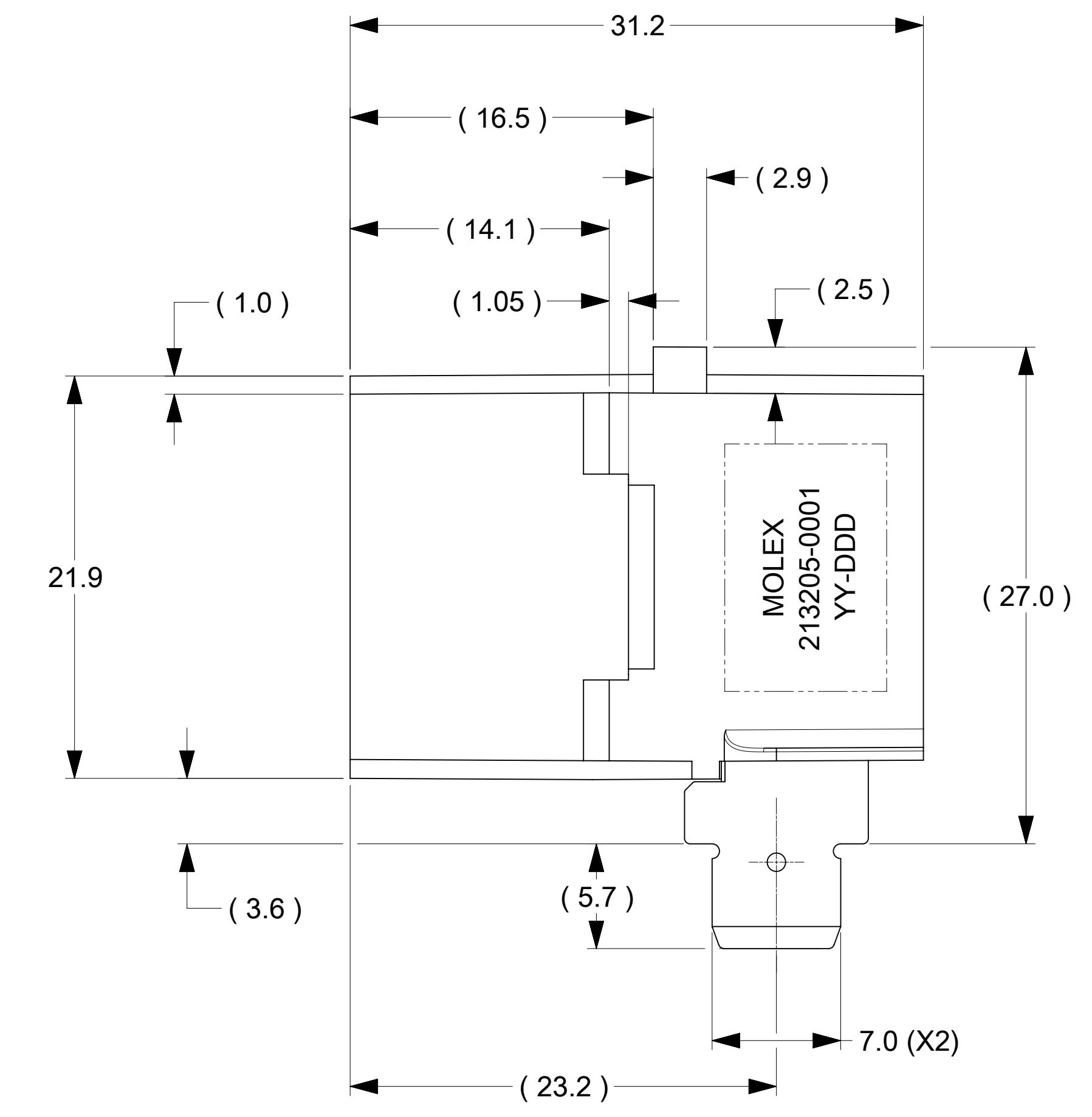
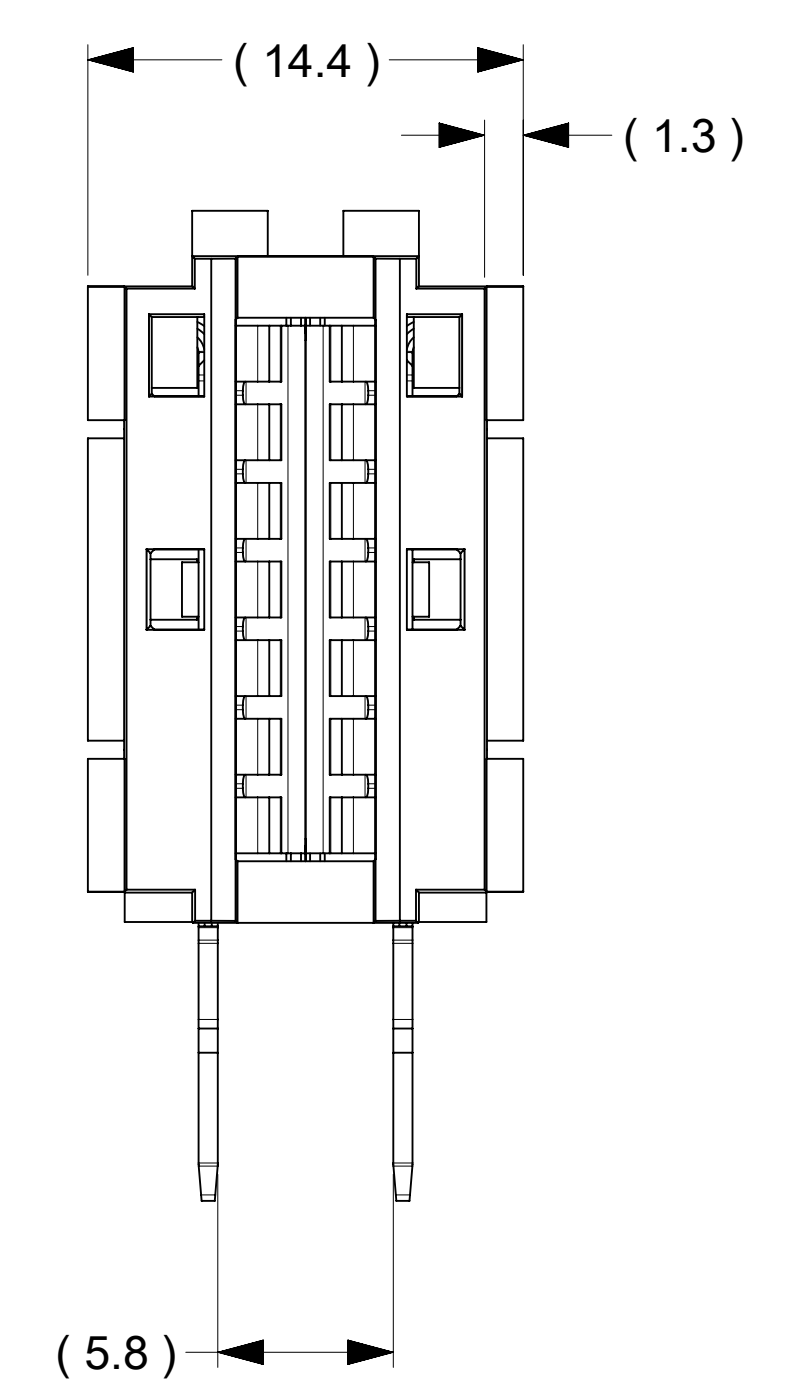


PCB, BUSBAR
IN THESE VIEWS ARE SHOWN FOR REFERENCE ONLY



- NOTES:
- MATERIALS:
 - HOUSING BODY: POLYMER. UL94V-0; BLACK.
 - TERMINALS: COPPER ALLOY.
 - RIVET/CLIP: COPPER ALLOY.
 - PLATING:
 - CONTACT AREAS: 3.18 MIN MICRON SILVER, OVER 1.27 MIN. MICRON NICKEL.
 - TAB AREAS: 3.18 MIN. MICRON TIN, OVER 1.27 MIN. MICRON NICKEL.
 - REST: 1.27 MIN. MICRON NICKEL OVERALL.
 - LUBRICATION: LUBED IN CONTACT AREA.
 - REFERENCE DOCUMENT: 2131910001-PS, 2131910001-AS
 - MODULE ASSEMBLY IS RoHS COMPLIANT.
 - FINAL ASSEMBLY TO BE PACKAGED AND LABELED PER PACKAGING DRAWING NUMBER 2132050001-PK.
 - MATED BUSBAR SHOULD BE PLATED WITH SILVER OVER NICKEL.

RECOMMENDED PCB LAYOUT
(THICKNESS 4.8mm MAX.)



SYMBOLS						THIS DRAWING CONTAINS INFORMATION THAT IS PROPRIETARY TO MOLEX ELECTRONIC TECHNOLOGIES, LLC AND SHOULD NOT BE USED WITHOUT WRITTEN PERMISSION					
DIMENSION UNITS		SCALE		CURRENT REV DESC:							
mm		5:1		EC NO: 696673		2022/02/21		molex			
GENERAL TOLERANCES (UNLESS SPECIFIED)				DRWN: TOMLU		2022/02/21					
ANGULAR TOL		± °		CHK'D: BPISZCZOR		2022/02/21		POWER PLANE BBC 7C RIGHT ANGLE-TH			
4 PLACES		±		APPR: BPISZCZOR		2022/02/21		PRODUCT CUSTOMER DRAWING			
3 PLACES		±		INITIAL REVISION:				DOCUMENT NUMBER			
2 PLACES		± 0.15		DRWN: TOMLU		2020/02/08		2132050001-SD			
1 PLACE		± 0.25		APPR: BPISZCZOR		2021/03/23		PSD 000 A1			
0 PLACES		±		DRAFT WHERE APPLICABLE MUST REMAIN WITHIN DIMENSIONS		THIRD ANGLE PROJECTION		MATERIAL NUMBER			
D-DRAWING		D-SIZE		SERIES		213205		CUSTOMER			
								2132050001			
								SHEET NUMBER			
								1 OF 1			