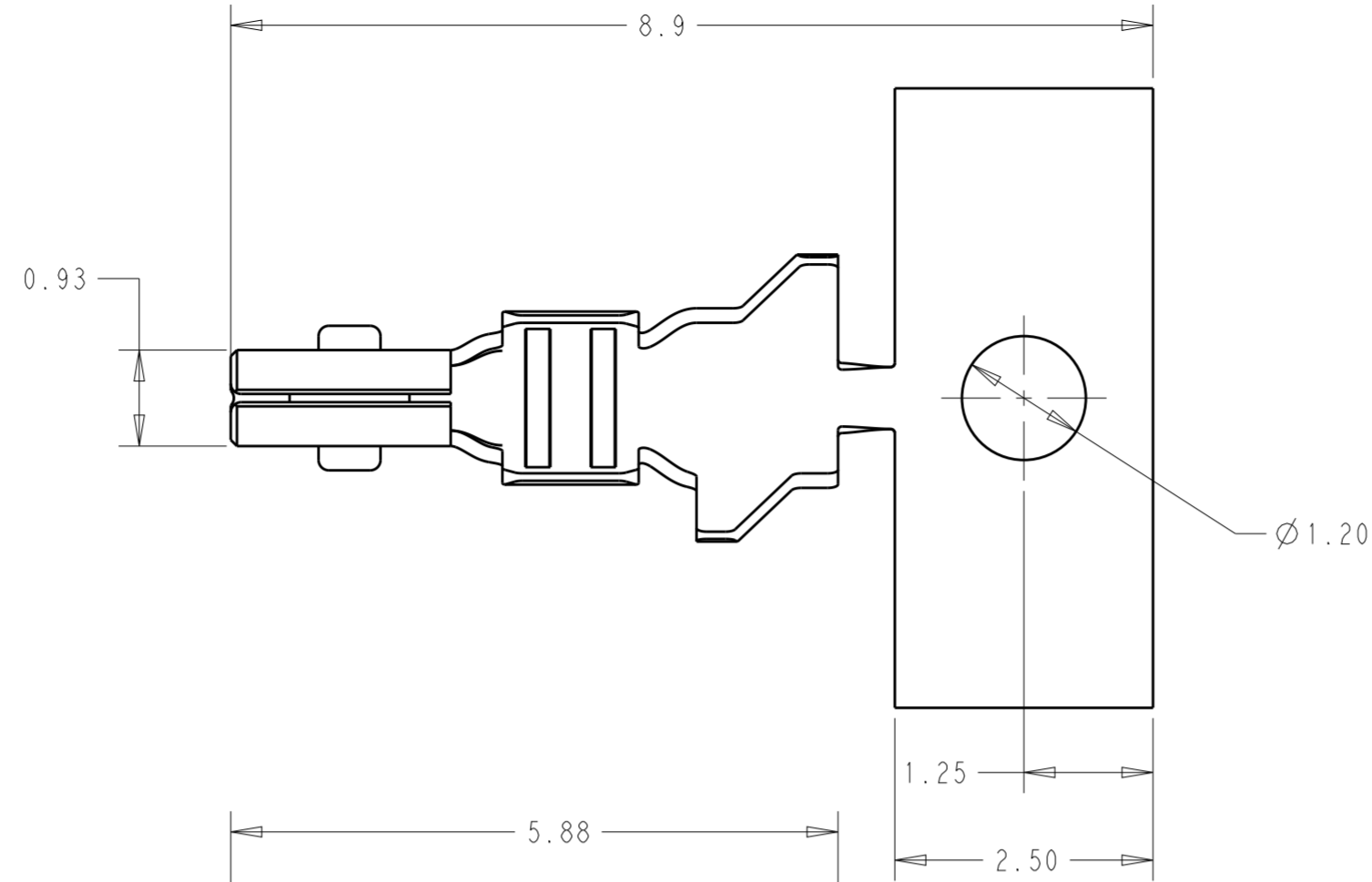
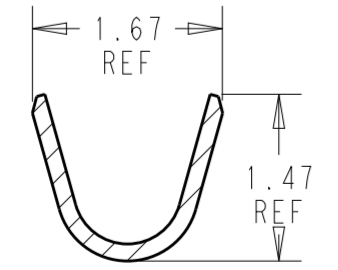
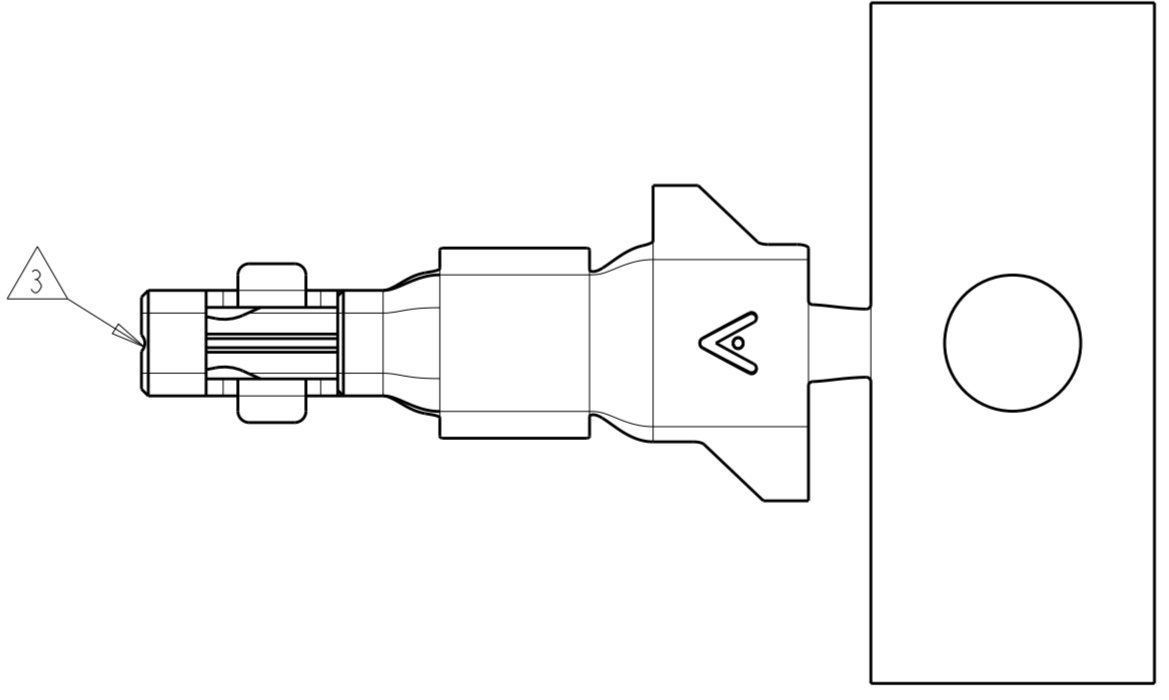
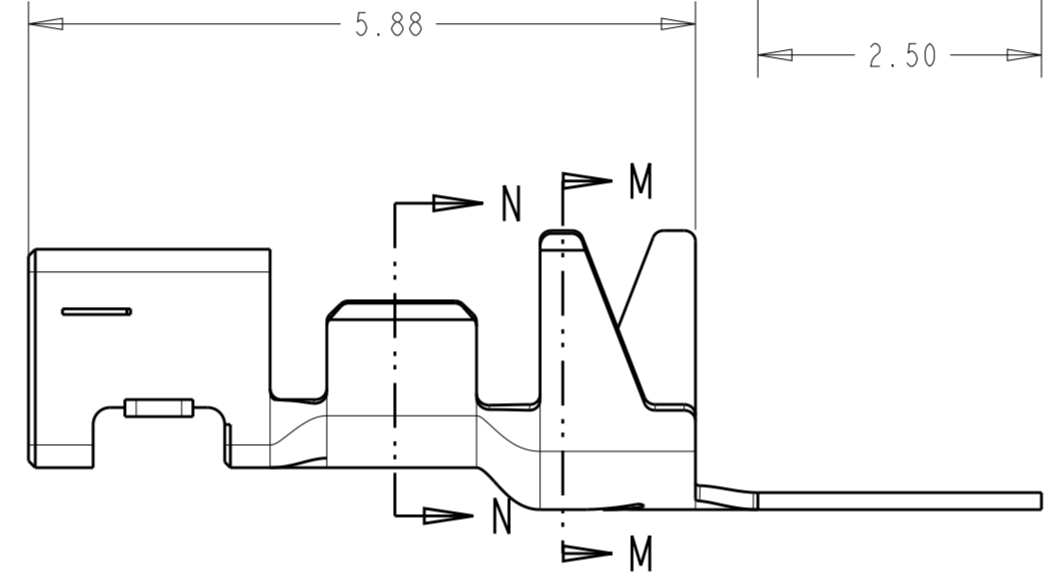
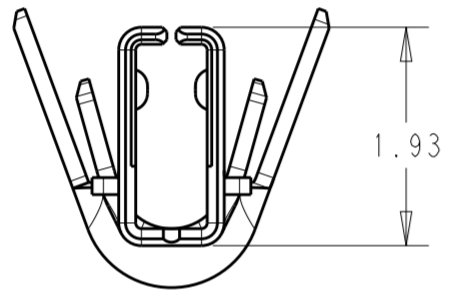


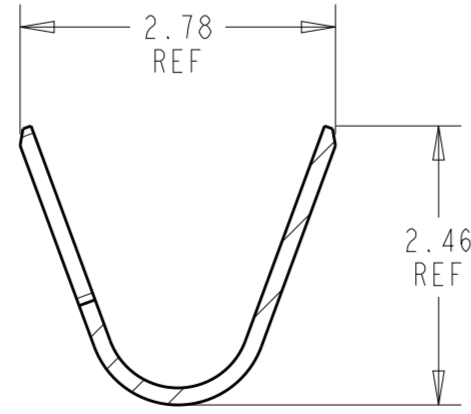
P	LTR	DESCRIPTION	DATE	DWN	APVD
B		REVISED PER ECR-20-100389	01SEP2020	BDA	SW



- 1. WIRE RANGE: 28-22 AWG COPPER STRANDED.
- 2. INSULATION RANGE: \varnothing 1.18-1.56
- 3. RADIUS FEATURE MAY EXIST ON CORNER INDICATED.
- 4. THIS PRODUCT HAS NOT COMPLETED QUALIFICATION TESTING



SECTION N-N



SECTION M-M

THIS DRAWING IS A CONTROLLED DOCUMENT.		DWN B. WEAVER 21 JUN 2019
DIMENSIONS: mm		CHK C. YI 21 JUN 2019
TOLERANCES UNLESS OTHERWISE SPECIFIED:		APVD T. BENCHOFF 21 JUN 2019
0 PLC	±	PRODUCT SPEC
1 PLC	±0.3	APPLICATION SPEC
2 PLC	±0.20	WEIGHT
3 PLC	±	
4 PLC	±	
ANGLES	±	
FINISH		
MATERIAL	SEE TABLE	
	PRE-PLATED TIN	
CUSTOMER DRAWING		

PHOS. BRONZE	2350223-1
MATERIAL	PART NUMBER
STE TE Connectivity	
NAME RECEPTACLE CONTACT, SGI 2.0	
SIZE	CAGE CODE
A2	00779
DRAWING NO	RESTRICTED TO
C-2350223	-
SCALE 15:1	SHEET 1 OF 1
REV B	