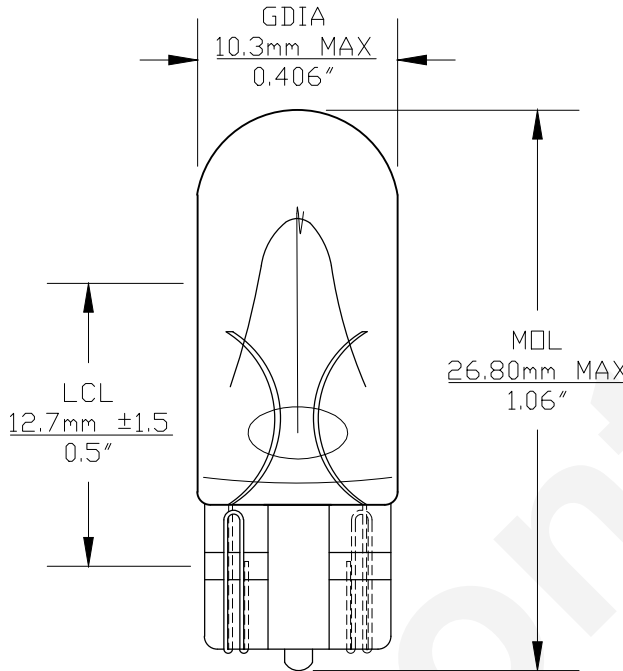
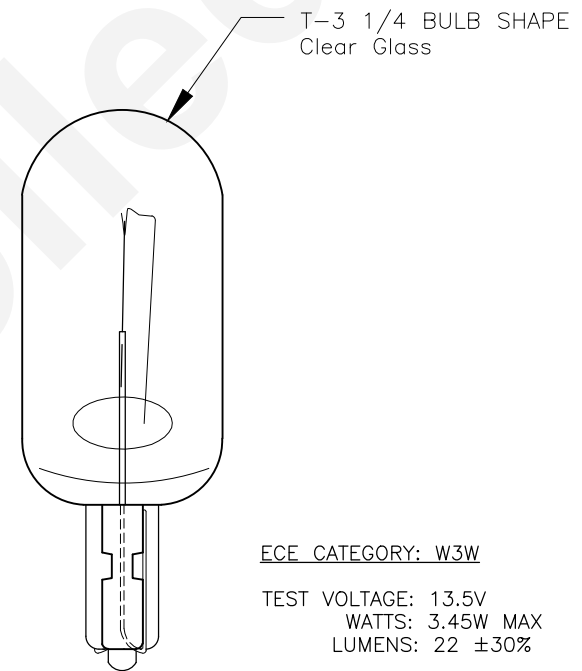




PART NO.	BASE TYPE	DESIGN VOLTS	DESIGN AMPS	MSCD	FILAMENT TYPE	AVERAGE LIFE HOURS	REVISIONS			
							REV #	DESCRIPTION	DATE	APPROVED
2821LL	Glass Wedge T-3 1/4 (W2.1X9.5d)	12.0V	0.25±10%	1.76 ±20%	C-2V	2000	1	ISSUED	07/01/2009	D.C.



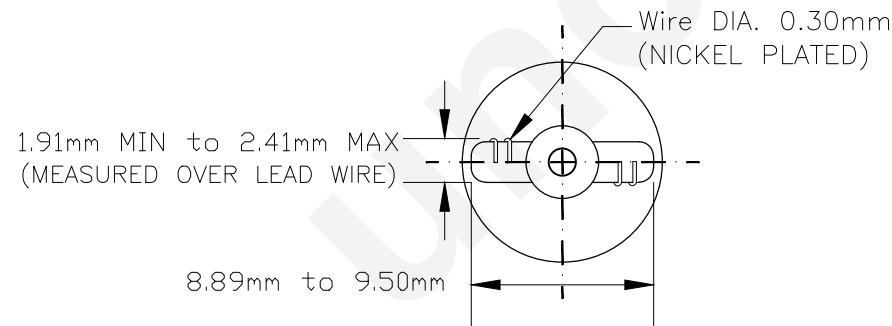
0° VIEW



90° VIEW

ECE CATEGORY: W3W

TEST VOLTAGE: 13.5V
WATTS: 3.45W MAX
LUMENS: 22 ±30%



BASE BOTTOM VIEW



UNLESS OTHERWISE SPECIFIED: DIMENSIONS ARE IN INCHES TOLERANCES		CEC INDUSTRIES LTD			
DECIMALS .XX ± .05		599 BOND STREET		LINCOLNSHIRE, IL 60069	
ANGULAR .XXX ± .010		TITLE LIGHT BULB NO. 2821LL			
FRACTIONAL ±1/64		SIZE A	FSCM NO.	DWG NO. 2821LL	REV 1
DRAWN D. C.	DATE 07/01/2009	SCALE	PLOT SCALE	SHEET 1 OF 1	
CHECKED		FILE 2821LL.pdf		DRAWING NOT TO SCALE	