

**Ratings**

Voltage: 300V  
 Temperature: -40~105 °C  
 Flammability: VW-1

**Conductor**

Conductor count: 3  
 Gauge: 28 AWG 0.1 mm<sup>2</sup>  
 Material: tinned copper strands  
 Strand size:  $\varnothing 0.08 \times 19$   
 Resistance at 20 °C: 239  $\Omega$  /km max

**Insulator**

Material: FEP  
 Color: red, black, white  
 Diameter:  $\varnothing 0.72 \pm 0.10$   
 Nominal thickness: 0.13 mm  
 Resistance at 20 °C: 10 M $\Omega$  /km min

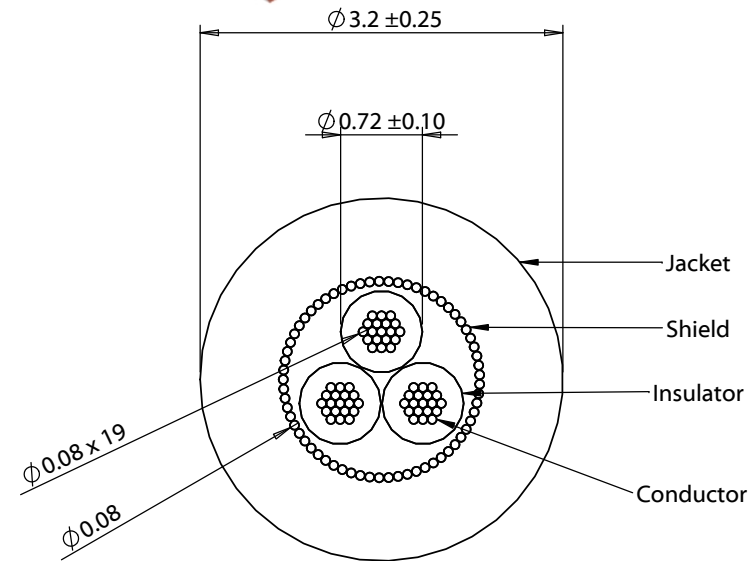
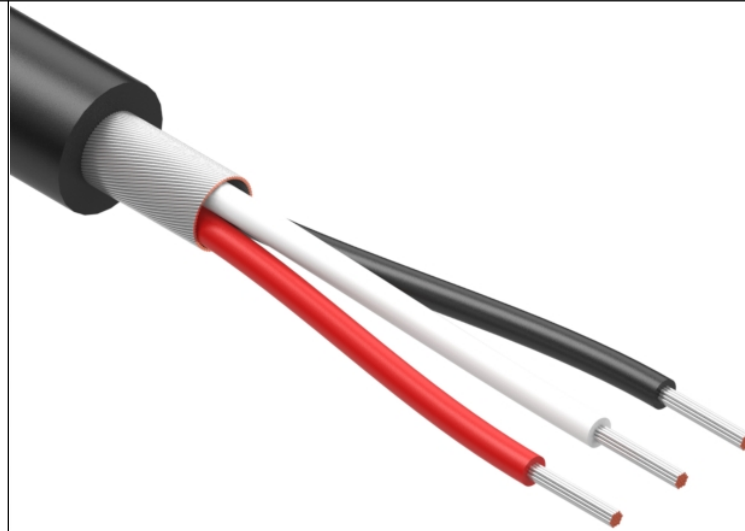
**Shield**

Material: tinned copper strands  
 Strand size:  $\varnothing 0.08$  mm, 85% min coverage

**Outer jacket**

Material: TPE, 78A  
 Color: black, matte  
 Diameter:  $\varnothing 3.2 \pm 0.25$   
 Nominal thickness: 0.6 mm

**Wire marking:** E339579 UL AWM STYLE 21296 28 AWG 105°C  
 300V VW-1 --- cUL AWM I A 105°C 300V FT1 TENSILITY DGT



Revision:	Date:	Description:	Prepared:	Notes: RoHS compliant Phthalate free Function test: no open, no short circuit, no intermittent	<h1>TENSILITY</h1> <p>tel 1.541.323.3228 800 877.670.7118          fax 1.541.323.4202 web tensility.com</p>	
A	10/05/2021	Initial release	Verified:			
			Dimensions are in millimeters. Tolerances: X: $\pm 0.5$ mm X.X: $\pm 0.3$ mm X.XX: $\pm 0.05$ mm	Description:	Size: Part number:	
				Wire, 3C TS, 28 AWG, UL 21296, 300V, 105C, 3.2 mm, shielded, VW-1, TPE	A 30-02423	
				Scale: 15:1		Sheet 1 of 1

5

4

3

2

1