

PLEASE CHECK WWW.MOLEX.COM FOR LATEST PART INFORMATION

Part Number: [0395434310](#)
Status: **Active**
Overview: Eurostyle Terminal Blocks
Description: 5.00mm Pitch Eurostyle 45° Wire Entry Fixed Mount PCB Terminal Block, 10 Circuits

Documents:

3D Model	Drawing (PDF)
3D Model (PDF)	RoHS Certificate of Compliance (PDF)

Agency Certification

UL E48521

General

Product Family	Terminal Blocks
Series	39543
Application	N/A
Component Type	One Piece
Overview	Eurostyle Terminal Blocks
Product Name	ESE, Eurostyle Fixed Mount
Type	Euro Block
UPC	822350543736

Physical

Circuits (Loaded)	10
Entry Angle	45° Angle
Lock to Mating Part	None
Number of Rows	1
Orientation	45° Angle
PC Tail Length	4.40mm
PCB Thickness - Recommended	3.40mm
Panel Mount	No
Pitch - Mating Interface	5.00mm
Pitch - Termination Interface	5.00mm
Polarized to Mating Part	N/A
Stackable	No
Temperature Range - Operating	-40° to +105°C
Wire Size AWG	14, 16, 18, 20, 22
Wire Size mm ²	0.33-2.08

Electrical

Current - Maximum per Contact	10.0A
Voltage - Maximum	300V

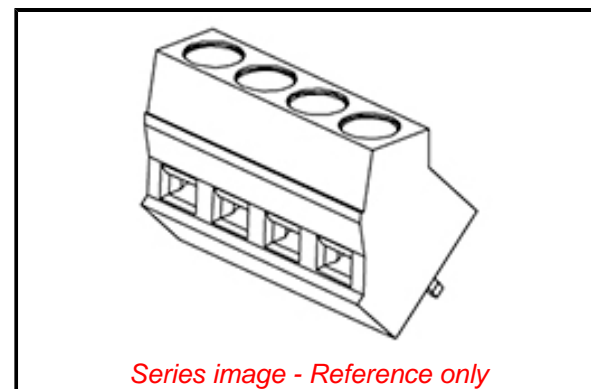
Solder Process Data

Duration at Max. Process Temperature (seconds)	005
Lead-free Process Capability	WAVE
Max. Cycles at Max. Process Temperature	135
Process Temperature max. C	260

Material Info

Reference - Drawing Numbers

Sales Drawing SD-39543-002-001



EU ELV

Not Relevant

EU RoHS

Not Reviewed

REACH SVHC

Not Reviewed

Halogen-Free

Status

Not Reviewed

For more information, please visit [Contact US](#)

China ROHS

Not Reviewed

ELV

Not Relevant

RoHS Phthalates

Not Reviewed

China RoHS

Search Parts in this Series

[39543 Series](#)