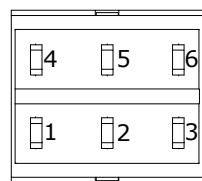
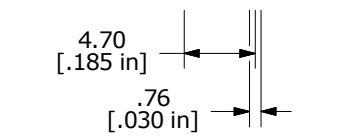
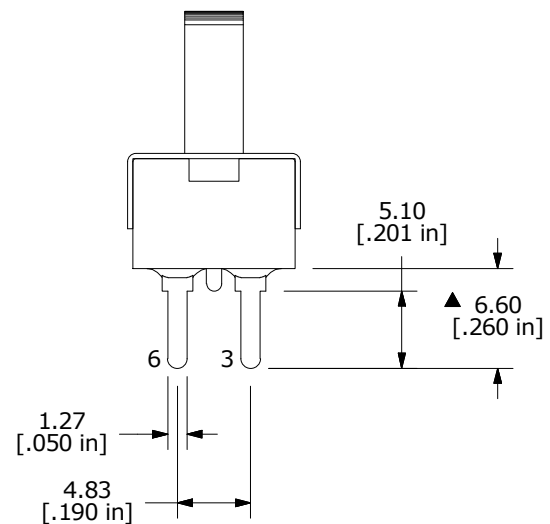
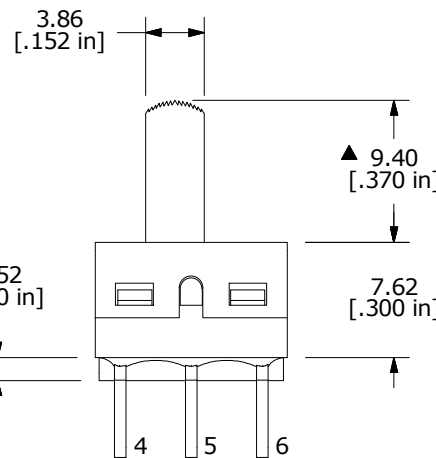
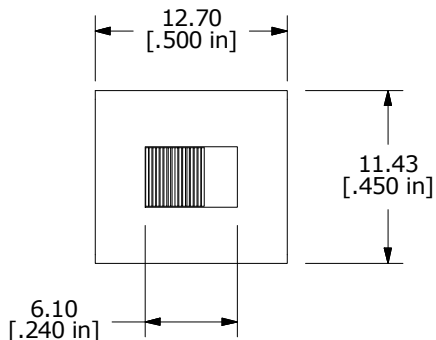
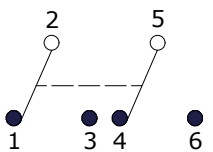


PC MOUNTING



▲ SWITCH FUNCTION		
POS. 1	POS. 2	POS. 3
ON	NONE	ON
2-1, 5-4	N/A	2-3, 5-6



CIRCUIT: DPDT

NOTE:

1. ALL DIMENSIONS IN MM [INCH]
2. GENERAL TOLERANCE: X.X = ±0.4  
X.XX = ±0.25
3. TERMINAL NUMBERS FOR REF ONLY
4. PLATING MATERIAL: SLVER
5. CONTACT RATING: 5A@120VAC or 28VDC  
2A@250VAC
6. TRAVEL: 2.16mm
7. ELECTRIC LIFE: 30,000 ACTUATIONS AT FULL LOAD.
8. CONTACT RESISTANCE: 10 milli-OHMS TYP.
9. INSULATION RESISTANCE: 1,000 MEGA-OHM MIN.
10. DIELECTRIC STRENGTH: 1,000 V RMS @SEA LEVEL
11. OPERATING TEMP.: -30°C to 85°C
12. ▲ DENOTES CRITICAL PARAMETER.
13. 2011/65/EU (ROHS) COMPLIANT

D	22946	correct drawing Title	7/31/17	MW
C	19570	DRAWING UPDATE / CLEAN-UP	1/7/11	BGL
B	17844	redrawn 9.40 was 9.60; 6.60 was 6.35	11/6/07	rc
REV	PCR NO	DESCRIPTION	DATE	BY



TITLE 500SDP1S3M2QEA				
SCALE	DATE	DR	DWG	REV
2:1	11/6/2007	rc	T521018	D

THE INFORMATION CONTAINED IN THIS DOCUMENT IS PROPRIETARY TO E-SWITCH AND IS NOT TO BE COPIED OR TRANSFERRED