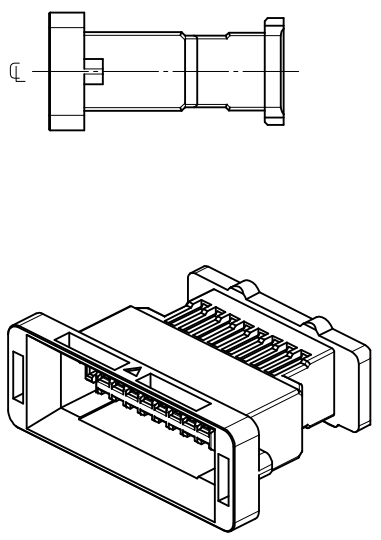
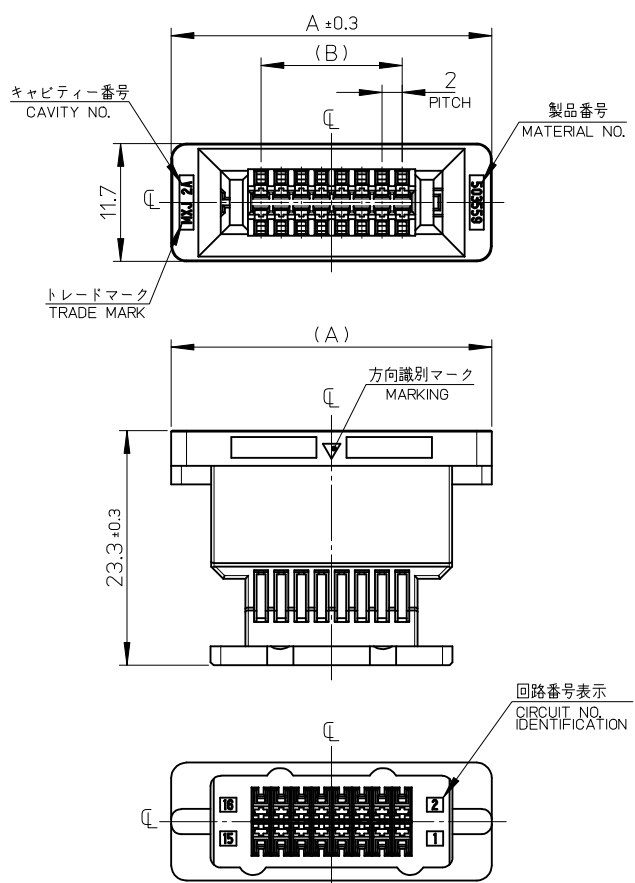
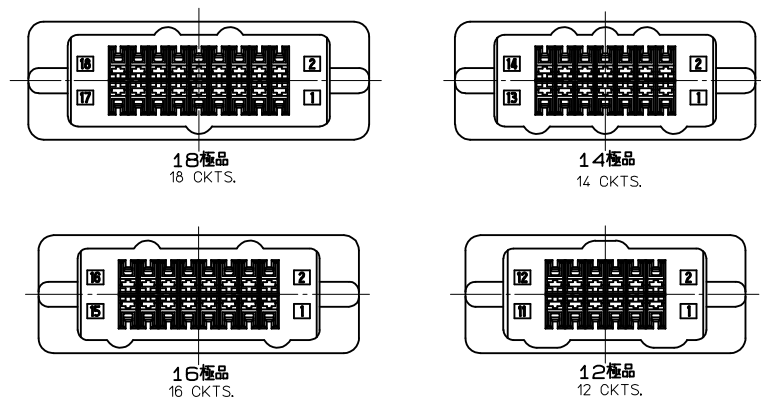


10 9 8 7 6 5 4 3 2 1



嵌合キー形状違い



注記:  
NOTES

- 材質：ポリブチレンテレフタレート (PBT)、ガラス充填、UL94V-0、黒色  
MATERIAL: POLYBUTYLENE TEREPHTHALATE (PBT), GLASS FILLED, UL94V-0, BLACK
- 嵌合相手：503557-\*\*00  
MATING CONNECTOR: 503557-\*\*00
- 適合圧着端子：503561-\*\*\*\*  
APPLICABLE CRIMP TERMINAL: 503561-\*\*\*\*
- 適合プラグアダプター：503560-\*\*00  
APPLICABLE PLUG ADAPTOR: 503560-\*\*00
- 製品仕様及び取り扱いについては、製品仕様書PS-503557-001及び、コネクタ取扱説明書AS-503557-001を参照願います。  
PLEASE REFER TO PRODUCTS SPECIFICATION PS-503557-001 AND USER'S MANUAL AS-503557-001.
- ELV及びRoHS適合品。  
ELV AND RoHS COMPLIANT.

16	33.8	503559-1800	503559-**00	18
14	31.8	503559-1600		16
12	29.8	503559-1400		14
10	27.8	503559-1200		12
B	A	PLASTIC BAG オーダー番号 ORDER No.	MODEL NO.	極数 CIRCUITS

REVISED EC NO.: J2016-0130 DRWN: YAJI MA01 2015/07/27 CHKD: KASAKAWA 2015/08/05 APPR: NUKITA 2015/08/25	GENERAL TOLERANCES (UNLESS SPECIFIED)		DIMENSION STYLE		SCALE		DESIGN UNITS		THIRD ANGLE PROJECTION	
	0.25 UNDER ±0.03		MM ONLY		2:1		METRIC		◎	
	0.25 OVER 0.5 UNDER ±0.05		DRAWN BY DATE		TITLE		MODEL NO.		SHEET NO.	
	0.5 OVER 1.0 UNDER ±0.1		KKOBAYASHI 2010/04/22		2.0 FLOATING CONN. PLUG HS'G		SD-503559-001		1 OF 1	
	1.0 OVER 10 UNDER ±0.2		CHECKED BY DATE		molex SEE CHART		DOCUMENT NO.		THIS DRAWING CONTAINS INFORMATION THAT IS PROPRIETARY TO MOLEX INCORPORATED AND SHOULD NOT BE USED WITHOUT WRITTEN PERMISSION	
	10 OVER 30 UNDER ±0.25		SSAT003 2010/05/24							
30 OVER ±0.3		APPROVED BY DATE		SIZE		MATERIAL NO.				
ANGULAR ±1 °		NUKITA 2010/05/24		A3						
DRAFT WHERE APPLICABLE MUST REMAIN WITHIN DIMENSIONS										

9 8 7 6 5 4 3 2 1