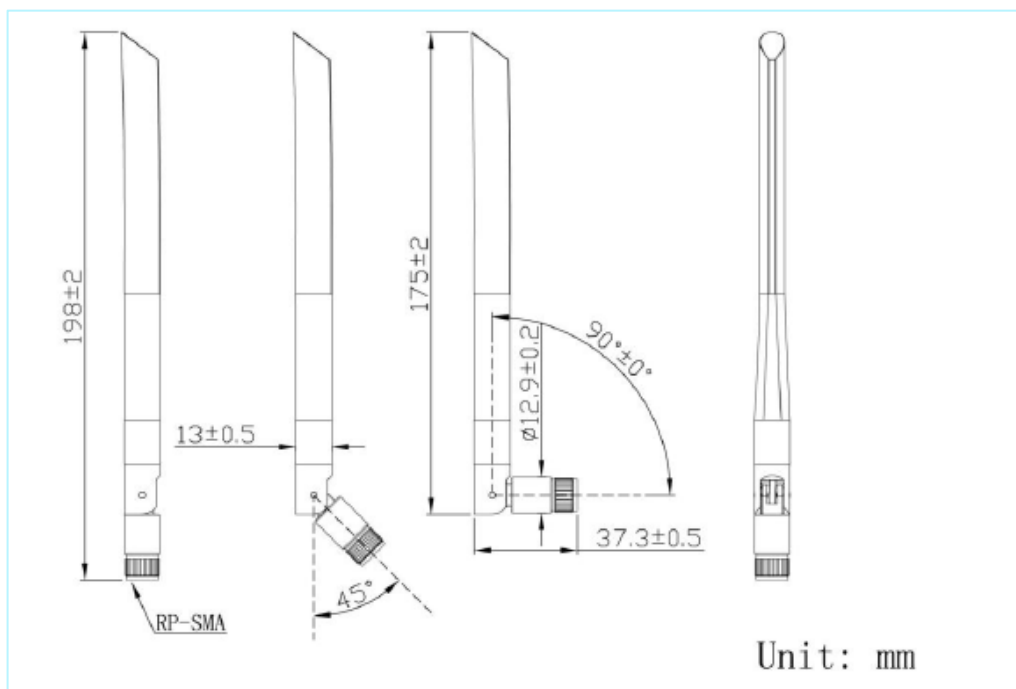


5G Antenna

AN_Master_003



Mechanical dimension



5G Antenna

Specifications

| Item | Specifications | |
|---------------|--------------------------|--|
| Antenna | Center Frequency | 698~3800MHz |
| | Polarization | Linear |
| | Gain | 3dBi typ. |
| | V.S.W.R | <3.0 |
| | Impedance | 50Ω |
| | Connector | SMA Male |
| Environmental | Operating Temperature | -40°C~+85°C |
| | Vibration | 10 to 55Hz with 1.5mm amplitude 2hours |
| | Environmentally Friendly | ROHS Compliant |

5G Antenna

Return Loss & V.S.W.R

