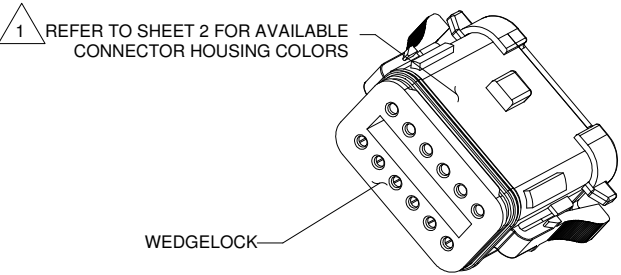
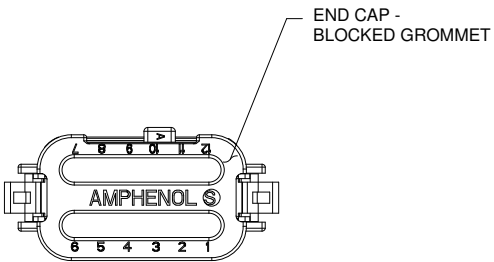
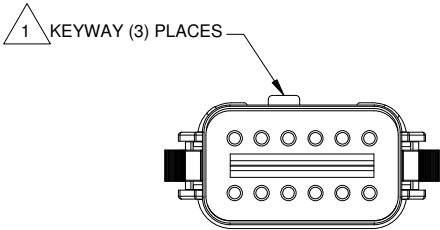
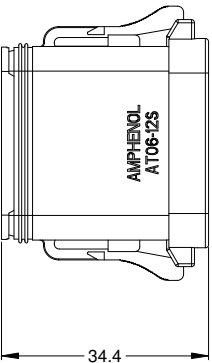
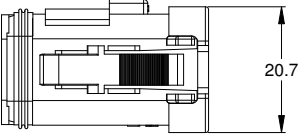
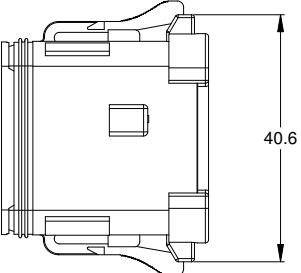


| REVISIONS | | | | | |
|-----------|--------|-------------------------------------|-----------|-------|------|
| REV | ECO | DESCRIPTION | DATE | BY | APPR |
| A3 | - | RELEASE NEW DWG FORMAT | 03/JAN/14 | ORION | |
| A4 | C0548S | ADD WEDGELOCK AND UPDATE DIMENSIONS | 27/JUN/16 | JONY | |



NOTES: UNLESS OTHERWISE SPECIFIED

1 SEE SHEET 2 FOR KEY ARRANGEMENTS AND COLORS.

- 2. MATERIAL:
HOUSING: THERMOPLASTIC
SEAL: SILICONE RUBBER
WEDGELOCK: THERMOPLASTIC
- 3. MODIFICATIONS: BLOCKED GROMMET

- 4. SPECIFICATIONS:
4.1 CURRENT RATING: 13 AMPS
4.2 OPERATING TEMPERATURE: -55°C TO +125°C
4.3 DIELECTRIC WITHSTANDING VOLTAGE: LESS THAN 2 MILLIAMPS CURRENT LEAKAGE @ 1500 VOLTS AC.
4.4 INSULATION RESISTANCE: 1000 MEGOHMS MIN @ 25°C.
4.5 MOISTURE RESISTANCE: IP67 (MATED CONDITION)
4.6 MATING CYCLE DURABILITY: 100 CYCLES
4.7 RoHS COMPLIANT

5. MATING PART: AT04-12PX* RECEPTACLE
(X = A,B,C,D KEYS; * = MODIFICATIONS AND COLORS)

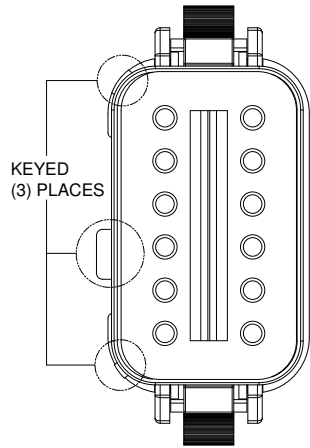
6. ALL DIMENSIONS ARE FOR REFERENCE USE ONLY.

| SEE SHEET 2 | | DESCRIPTION | | ITEM |
|--|-------------|--|------|----------------|
| QUANTITY | PART NUMBER | | | |
| MATERIALS LIST | | | | |
| UNLESS OTHERWISE SPECIFIED 1) All dimensions are in metric(mm). 2) Tolerances are as follows: 1 PL DEC ±0.30 1 Fractions ±1/64 2 PL DEC ±0.15 Angles ±1° 3 PL DEC ±0.08 | | SIGNATURES DATE DRAWN: ORION LI 03/JAN/14 CHECKED: ENGINEER: APPROVAL: | | |
| MATERIAL SPECIFICATIONS: | | CUSTOMER: | | |
| PROCESS SPECIFICATIONS: | | THIS DRAWING IS SUPPLIED FOR INFORMATION ONLY. DESIGN FEATURES, SPECIFICATIONS AND PERFORMANCE DATA SHOWN HEREON ARE THE PROPERTY OF THE AMPHENOL CORPORATION. NO RIGHTS OF REPRODUCTION ARE IMPLIED. ALL DIMENSIONS ARE SUBJECT TO NORMAL MANUFACTURING VARIATIONS. | | |
| NEXT ASSY: | | SIZE | TYPE | DWG NO. |
| | | B | C- | AT06-12SX-SS01 |
| | | SCALE: | NONE | REVISION |
| | | | | A4 |
| | | | | SHEET 1 OF 2 |

TITLE: PLUG, 12 SOCKET, AT SERIES, KEYPED, BLOCKED GROMMET
DWG NO.: AT06-12SX-SS01
REV: A4
SH: 1
OF: 2

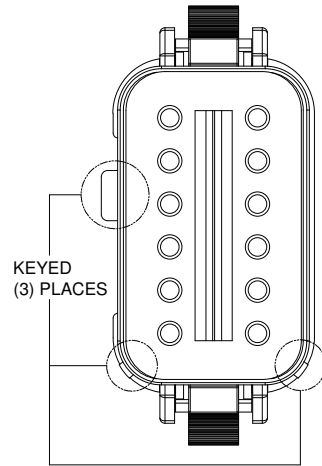
| REVISIONS | | | | | |
|-----------|-----|-------------|------|----|------|
| REV | ECO | DESCRIPTION | DATE | BY | APPR |

P/N AT06-12SA-SS01
KEY-A CONFIGURATION
STANDARD COLOR: GREY



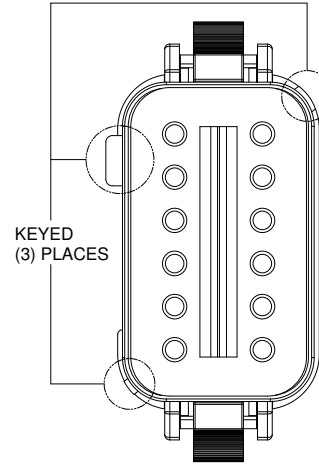
| KEY-A CONFIGURATION | |
|---------------------|-----------------------|
| COLOR | PART NUMBER |
| * GREY | AT06-12SA-SS01 |
| BLACK | AT06-12SA-SSBLK |
| GREEN | AT06-12SA-SSGRN |
| BROWN | AT06-12SA-SSBRN |

P/N AT06-12SB-SS01
KEY-B CONFIGURATION
STANDARD COLOR: BLACK



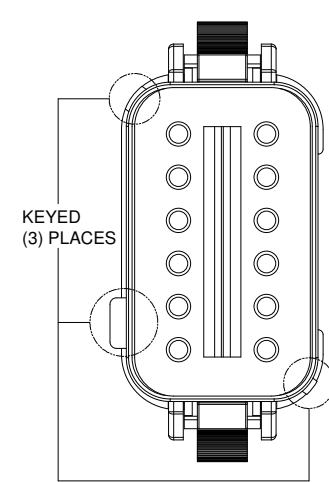
| KEY-B CONFIGURATION | |
|---------------------|-----------------------|
| COLOR | PART NUMBER |
| GREY | AT06-12SB-SSGRY |
| * BLACK | AT06-12SB-SS01 |
| GREEN | AT06-12SB-SSGRN |
| BROWN | AT06-12SB-SSBRN |

P/N AT06-12SC-SS01
KEY-C CONFIGURATION
STANDARD COLOR: GREEN



| KEY-C CONFIGURATION | |
|---------------------|-----------------------|
| COLOR | PART NUMBER |
| GREY | AT06-12SC-SSGRY |
| BLACK | AT06-12SC-SSBLK |
| * GREEN | AT06-12SC-SS01 |
| BROWN | AT06-12SC-SSBRN |

P/N AT06-12SD-SS01
KEY-D CONFIGURATION
STANDARD COLOR: BROWN



| KEY-D CONFIGURATION | |
|---------------------|-----------------------|
| COLOR | PART NUMBER |
| GREY | AT06-12SD-SSGRY |
| BLACK | AT06-12SD-SSBLK |
| GREEN | AT06-12SD-SSGRN |
| * BROWN | AT06-12SD-SS01 |

NOTE:

AN ASTERISKS (*) PLACED BEFORE THE COLOR DENOTES THE STANDARD MOLDED COLOR OF THE CONNECTORS SHOWN ABOVE. STRAIN RELIEF END CAPS ARE AVAILABLE IN BLACK ONLY.

OTHER COLORS SHOWN ARE AVAILABLE VIA SPECIAL ORDER.

TITLE: PLUG, 12 SOCKET, AT SERIES, KEYPED, BLOCKED GROMMET DWG NO: AT06-12SX-SS01 REV: A4 SH: 2 OF: 2

| QUANTITY | PART NUMBER | DESCRIPTION | ITEM |
|---|-------------|--|---|
| MATERIALS LIST | | | |
| UNLESS OTHERWISE SPECIFIED: 1) All dimensions are in metric (mm). 2) Tolerances are as follows: 1 PL DEC ±0.30 Fractions ±1/64 2 PL DEC ±0.15 Angles ±1° 3 PL DEC ±0.083) Note reference = | | SIGNATURES DRAWN: ORIONLI CHECKED: ENGINEER: APPROVAL: | DATE 03/JAN/14 |
| MATERIAL SPECIFICATIONS: | | Amphenol Sine Systems - www.amphenol-sine.com 44724 Morley Drive Clinton Township, MI 48036 | |
| PROCESS SPECIFICATIONS: | | PLUG, 12 SOCKET, AT SERIES, KEYED, BLOCKED GROMMET | |
| NEXT ASSY: | | THIS DRAWING IS SUPPLIED FOR INFORMATION ONLY. DESIGN FEATURES, SPECIFICATIONS AND PERFORMANCE DATA SHOWN HEREON ARE THE PROPERTY OF THE AMPHENOL CORPORATION. NO RIGHTS OF REPRODUCTION ARE IMPLIED. ALL DIMENSIONS ARE SUBJECT TO NORMAL MANUFACTURING VARIATIONS. | SIZE: B C- DWG NO: AT06-12SX-SS01 REVISION: A4 SCALE: NONE SHEET 2 OF 2 |