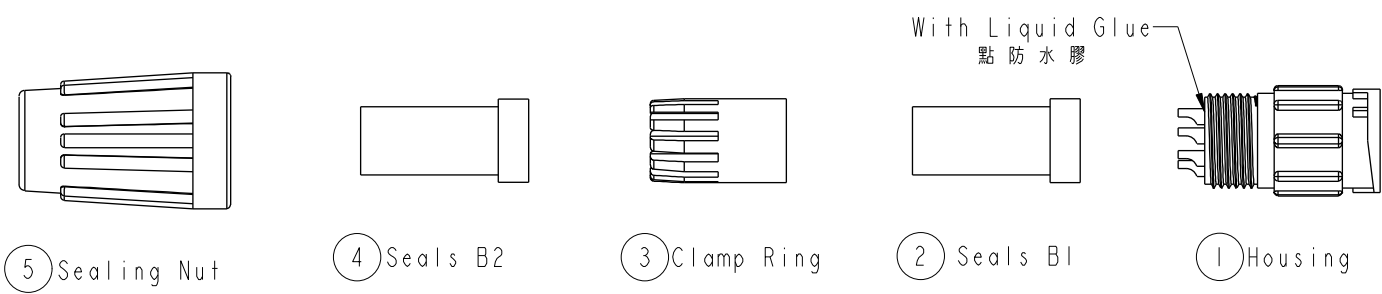


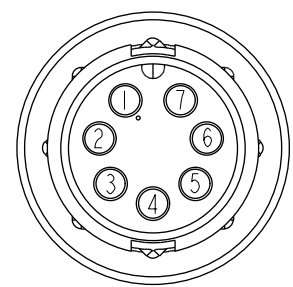
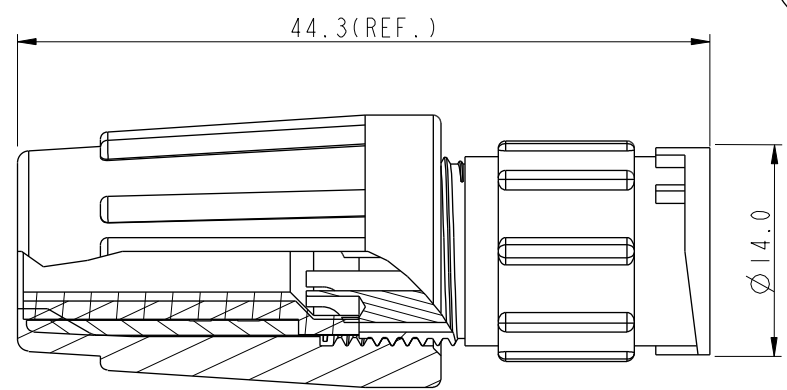
THIS DOCUMENT IS SUBJECT TO CHANGE WITHOUT NOTICE. IT IS CONFIDENTIAL AND A PROPERTY OF AMPHENOL LTW. DISCLOSURE TO THIRD PARTY HAS TO BE AUTHORIZED BY AMPHENOL LTW.

REV.	ECN NO.	DATE	SIGN	DESCRIPTION



ALTW
DCC. DEPT.
CONFIDENTIAL
2012-04-05
ISSUED

ALTW
CONFIDENTIAL
2012-03-27
R&D DEPT.



Pin Assignments
Front View 前視圖

- Note:
- * Seals B1 for Cable OD: $\varnothing 4.5\text{mm} \sim \varnothing 6.5\text{mm}$
(防水墊圈B1線徑: $\varnothing 4.5\text{mm} \sim \varnothing 6.5\text{mm}$)
 - * Seals B2 for Cable OD: $\varnothing 3.5\text{mm} \sim \varnothing 5.3\text{mm}$
(防水墊圈B2線徑: $\varnothing 3.5\text{mm} \sim \varnothing 5.3\text{mm}$)
 - * One Set Unassembled in One PE Bag
(每一組未組裝, 放置於一個PE袋, 並封口)
 - * CC Important Dimension.
 - * Waterproof Rate : IP66
 - * Housing: Black, Nylon+GF
 - * Pin: Copper Alloy, Gold Plated
 - * Seals: Black, EPDM
 - * Clamping Ring: Black, Nylon
 - * Sealing Nut: Black, Nylon
 - * PE Bag: 90mm*85mm
 - * Liquid Glue: Clear

UNIT: mm TOLERANCE .X ±0.25 .XX ±0.1 .XXX ±0.05 ANGLES ±1°	TITLE Standard, Assy Lock 7Pin M Conn M Pin			<h1>Amphenol LTW</h1> 安費諾亮泰企業股份有限公司		ITEM NO	BD-07BMMA-LL6001	DRAWN BY	SamChang	DATE	2012-03-27			
	SCALE	1:1	SIZE			A4	SHEET	1	OF	1	DWG NO	BD-07BMMA-LL6001	CHECKED BY	Jeffrey
	REV.	A	WC-REV.	A.2	CC : Inspection item		CUSTOMER	ALTW	APPROVED BY	Lion	DATE	2012-04-05		
	FMM10702-01-02A1													