

CGA5L1X8L1E106K160AC

TDK Item Description : CGA5L1X8L1E106KT****



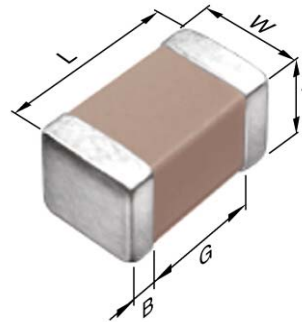
Equivalent C3216X8L1E106K for Automotive

Application & Main Feature

Automotive Grade (High Temperature Application)

Series

CGA5(C3216) [EIA 1206]



Dimensions

L	3.20mm +0.3,-0.1mm
W	1.60mm +0.3,-0.1mm
T	1.60mm +0.3,-0.1mm
B	0.20mm Min.
G	1.00mm Min.

Temperature Characteristic

X8L (-55 to 150 degC +15,-40%)

Rated Voltage

1E (25Vdc)

Capacitance

10uF

Capacitance Tolerance

K (+/-10%)

Dissipation Factor

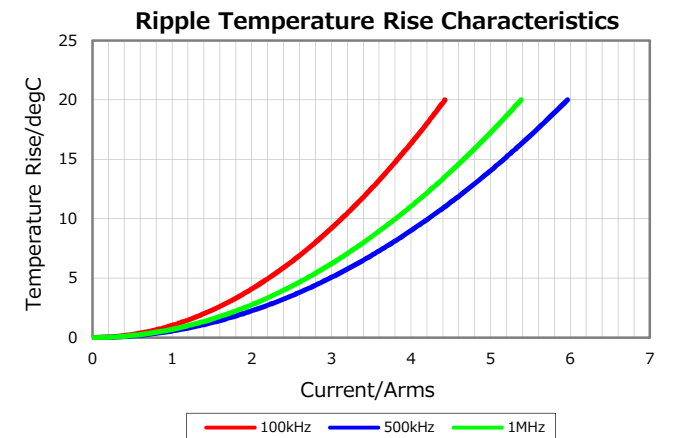
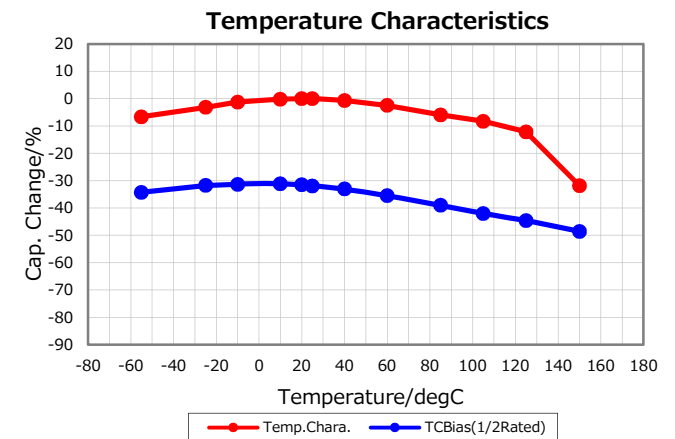
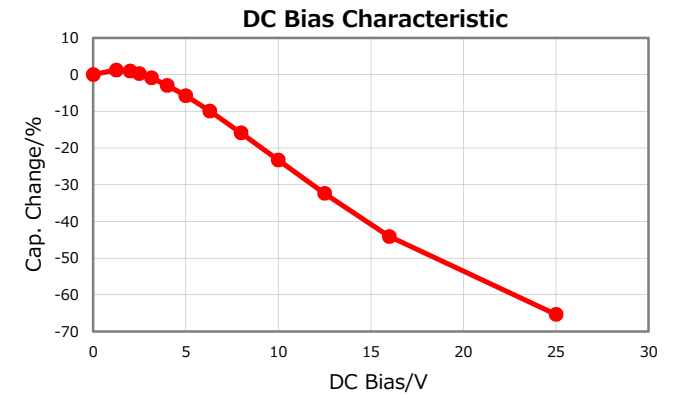
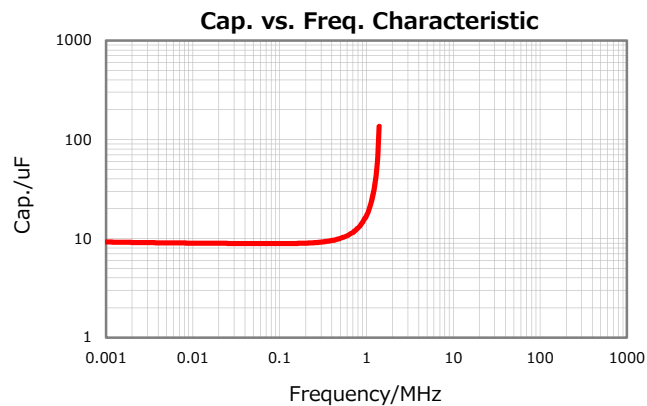
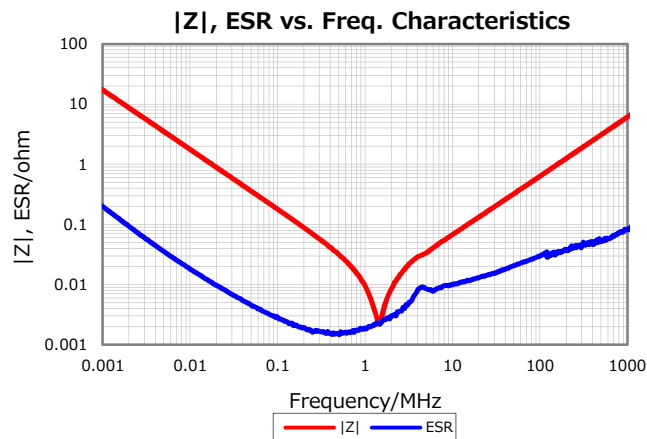
5% Max.

Insulation Resistance

50Mohm Min.

AEC-Q200

Yes



Characterization Sheet (Multilayer Ceramic Chip Capacitors)



All specifications are subject to change without notice.

June 11, 2018