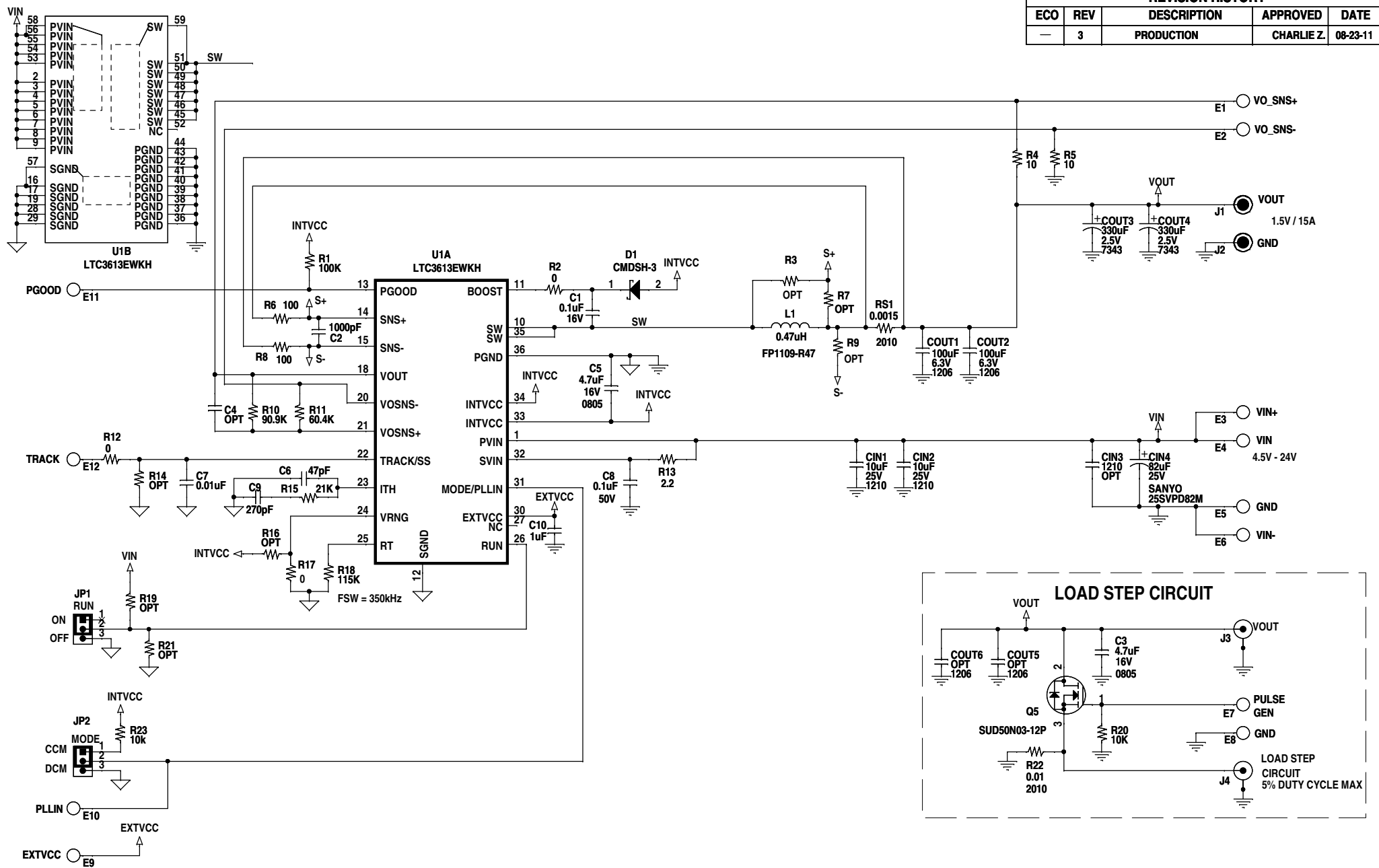



REVISION HISTORY				
ECO	REV	DESCRIPTION	APPROVED	DATE
-	3	PRODUCTION	CHARLIE Z.	08-23-11



NOTES: UNLESS OTHERWISE SPECIFIED

1. WHEN DCR SENSING IS IMPLEMENTED, SHORT RS1 AND R9; DO NOT POPULATE R6 AND R8.
2. ALL RESISTORS ARE IN 0603
ALL CAPACITORS ARE IN 0603

CUSTOMER NOTICE		APPROVALS		 1630 McCarthy Blvd. Milpitas, CA 95035 Phone: (408)432-1900 www.linear.com Fax: (408)434-0507 LTC Confidential-For Customer Use Only	
LINEAR TECHNOLOGY HAS MADE A BEST EFFORT TO DESIGN A CIRCUIT THAT MEETS CUSTOMER-SUPPLIED SPECIFICATIONS; HOWEVER, IT REMAINS THE CUSTOMER'S RESPONSIBILITY TO VERIFY PROPER AND RELIABLE OPERATION IN THE ACTUAL APPLICATION. COMPONENT SUBSTITUTION AND PRINTED CIRCUIT BOARD LAYOUT MAY SIGNIFICANTLY AFFECT CIRCUIT PERFORMANCE OR RELIABILITY. CONTACT LINEAR TECHNOLOGY APPLICATIONS ENGINEERING FOR ASSISTANCE.		PCB DES.	AK	TITLE: SCHEMATIC	
		APP ENG.	CHARLIE Z.	FAST, HIGH EFFICIENCY STEP-DOWN REGULATOR	
		SIZE	N/A	IC NO.	LTC3613EWKH
		SCALE	NONE	REV.	3
THIS CIRCUIT IS PROPRIETARY TO LINEAR TECHNOLOGY AND SUPPLIED FOR USE WITH LINEAR TECHNOLOGY PARTS.		DATE:	Tuesday, August 23, 2011	SHEET 1 OF 1	