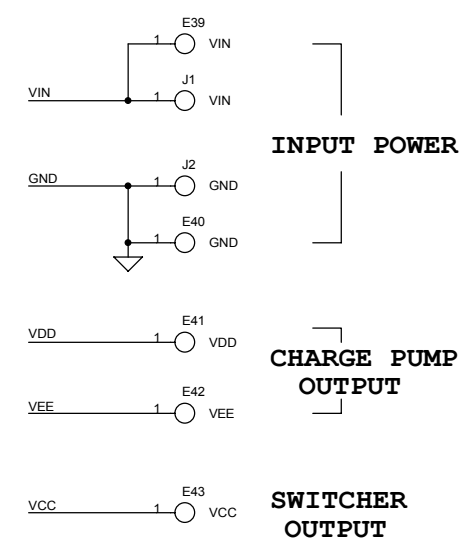
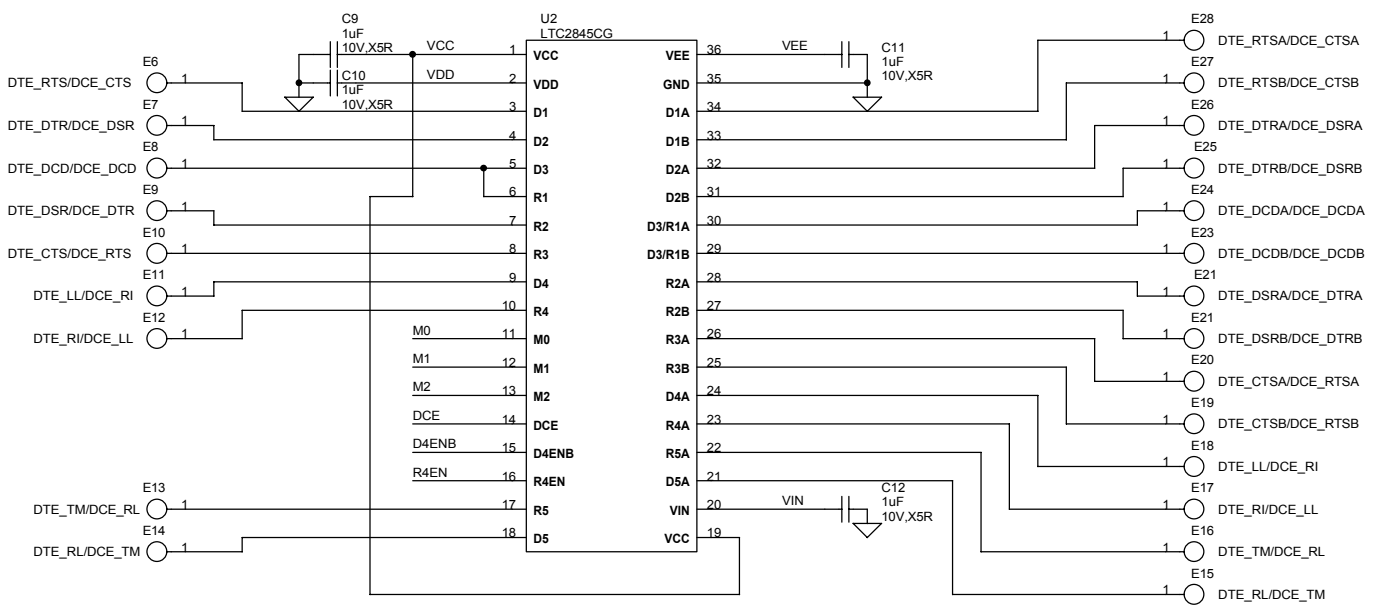


**TTL LEVEL
MODE SELECT**



INPUT POWER

**CHARGE PUMP
OUTPUT**

**SWITCHER
OUTPUT**

LINEAR TECHNOLOGY CORPORATION
 1630 McCARTHY BLVD.
 MILPITAS, CA. 95035
 PHONE 408-432-1900
 FAX 408-434-0507

| | | | |
|--|--------------------------|---------------------|--------|
| Title | | | |
| Software-Selectable Multi-Protocol Transceiver | | | |
| Size | Document Number | Rev | |
| | DEMO 513A | LTC2846CG/LTC2845CG | |
| Date: | Thursday, March 07, 2002 | Sheet | 1 of 1 |

NOTES: UNLESS OTHERWISE SPECIFIED