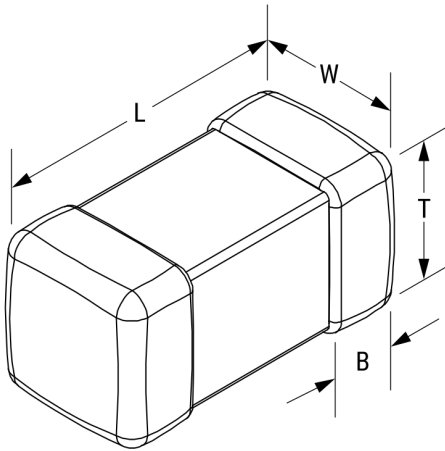


## L0805CR15JRMST

Aliases (L0805CR15JRMST)

Obsolete

KEMET, L-RMS, RF, 0.15 uH, 5%



Click [here](#) for the 3D model.

### Dimensions

Chip Size	0805
L	2mm +0.3/-0.1mm
W	1.25mm +/-0.2mm
T	1mm +0.2/-0.3mm
LL	0.5mm +/-0.3mm
B	0.5mm +/-0.3mm

### Packaging Specifications

Packaging	T&R
Packaging Quantity	3000

### General Information

Series	L-RMS
Style	SMD Chip
Description	Surface Mount Inductor
RoHS	Yes
Core	Ceramic
Winding Type	Multilayer

### Specifications

Inductance	0.15 uH
Inductance Tolerance	5%
Temperature Range	-40/+85°C
Current	300 mAmps (MAX)
DC Resistance	1 Ohms
Quality Factor	22 at 100 MHz, 26 at 500 MHz
Self-Resonant Frequency	500 MHz