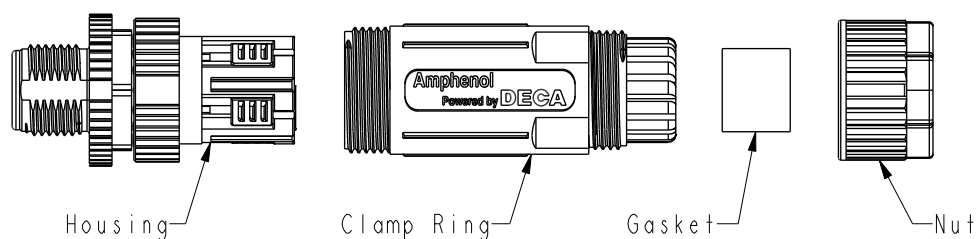


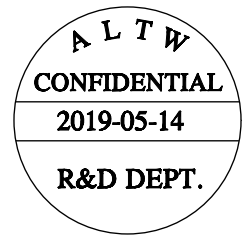
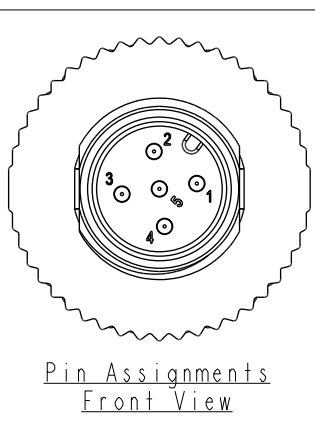
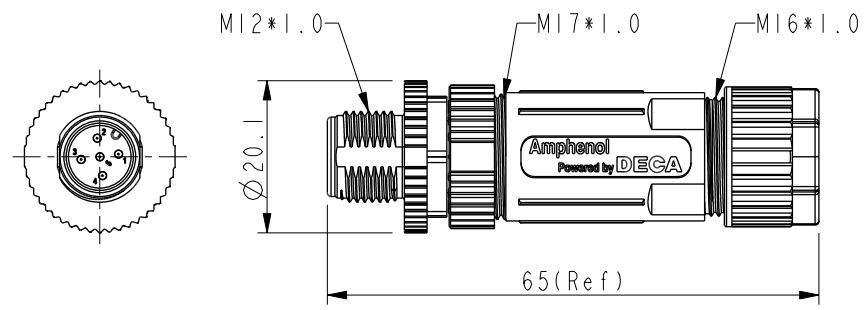
THIS DOCUMENT IS SUBJECT TO CHANGE WITHOUT NOTICE. IT IS CONFIDENTIAL AND A PROPERTY OF Amphenol LTW. DISCLOSURE TO THIRD PARTY HAS TO BE AUTHORIZED BY Amphenol LTW.

REV.	ECN NO.	DATE	SIGN	DESCRIPTION
A		2019-05-14	Allen Pan	01版轉A



M 12A - 05 B M M E - S L 8 001

- M 12A: A-Code
- 05: 5Pin
- B: Without S/R (無網尾)
- M: Male Connector (公座)
- M: Male Pin (公Pin)
- E: Push in Type (組裝式)
- S: Screw (螺紋式)
- L: Straight (180°)
- 8: IP68 (防水等級68)
- 001: Without Cable



- Notes:
- \* Waterproof Rate: IP68(1M, 24Hour).
  - \* Gasket: Rubber, Gray
  - \* Nut: Thermoplastic, Black.
  - \* Rated Voltage: 60V.
  - \* Rated Current: 4A.
  - \* Gasket For Cable OD:  $\varnothing 4.0\text{mm} \sim \varnothing 8.0\text{mm}$ .
  - \* Applicable Wire Gauge: 22AWG.
  - \* Operating Temperature:  $-40 \sim 85^{\circ}\text{C}$
  - \* Insulation Resistance:  $\geq 100\text{M}\Omega$ .
  - \* Insertion/Withdrawal Cycles:  $\geq 100$ .
  - \* Nut Recommended Tightening Torque: 4~6kgf.cm.
  - \* Wire Pulling Force:  $\geq 20\text{N}$ .

UNIT:mm		
TOLERANCE	$\pm 0.5\text{mm}$	

TITLE M12 A Code Push in Type Assy 5Pin M Conn M Pin			
SCALE 1:1	SIZE A4	SHEET 1 OF 1	
REV. A	WC-REV. A.4	QC: Inspection item	

**Amphenol LTW**  
安費諾亮泰企業股份有限公司

ITEM NO. M12A-05BMME-SL8001	DRAWN BY Allen Pan	DATE 2019-05-14
DWG NO. M12A-05BMME-SL8001	CHECKED BY Fred Lee	DATE 2019-05-14
CUSTOMER ALTW	APPROVED BY Fred Lee	DATE 2019-05-14