

Features

- Frequency range : 12MHz to 64MHz
- Glass sealing, ceramic SMD package
- External dimensions (mm)
L : 2.5 x W : 2.0 x H : 0.75
- RoHS compliant
Contains Pb, exempted by RoHS directive

Applications

- Notebook, Hard disk
- Computer peripherals
- OA, AV applications
- Home electronics
- Portable consumer products

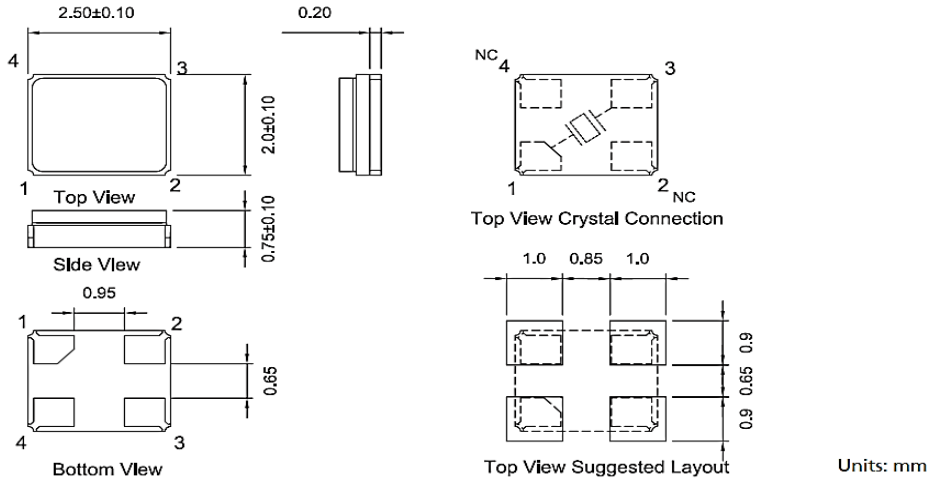
Electrical Characteristics

Item		QT252G	Conditions
Frequency Range	F_0	12MHz ~ 64MHz	
Frequency Tolerance	F_{tol}	$\pm 30\text{ppm}$, $\pm 20\text{ppm}$	at 25°C
Frequency Stability over Operating Temperature Range (refer to 25°C)	F_{stab}	$\pm 30\text{ ppm}$	-20°C ~ +70°C
		$\pm 20\text{ ppm}$	
		$\pm 30\text{ ppm}$	-40°C ~ +85°C
Operating Temperature Range	T_{OTR}	-20°C ~ +70°C	
		-40°C ~ +85°C	
Shunt Capacitance	C_0	3pF Max.	
Drive Level	D_L	1 ~ 50 μ W (10 μ W Typ.)	
Load Capacitance	C_L	8pF, 10pF, 12pF	
Aging	F_{aging}	$\pm 3\text{ ppm Max.}$	at 25°C $\pm 3^\circ\text{C}$, first year
Storage Temperature Range	T_{STR}	-55°C ~ +125°C	

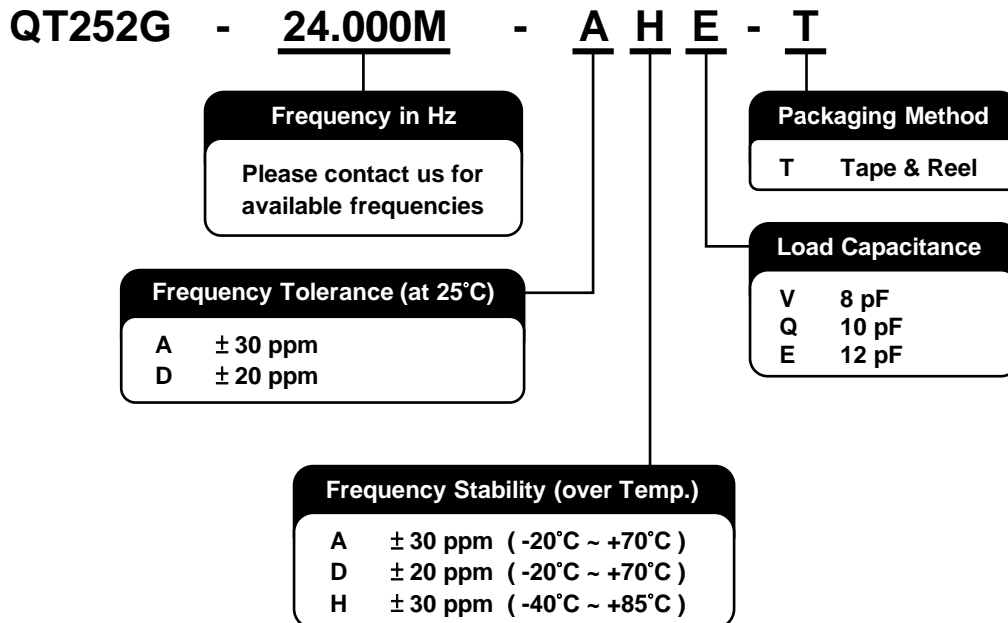
Motional Resistance (ESR)

Fundamental	
12 ~ 13 MHz	200 Ω Max.
13 ~ 16 MHz	150 Ω Max.
16 ~ 20 MHz	100 Ω Max.
20 ~ 27 MHz	80 Ω Max.
27 ~ 64 MHz	60 Ω Max.

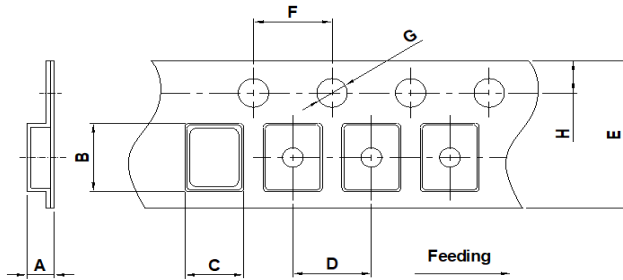
Dimensions



Ordering Information

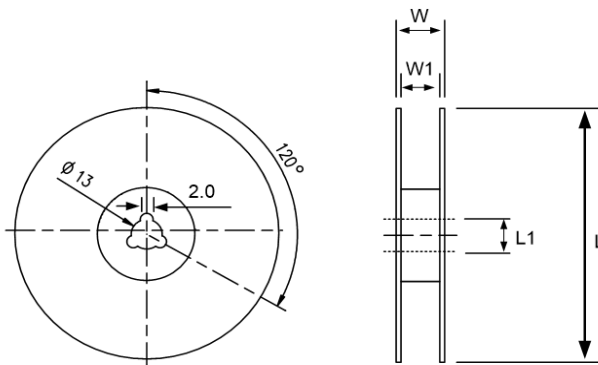


Packing



DIMENSIONS	A	B	C	D	E	F	G	H
	1.05±0.10	2.70±0.05	2.25±0.05	4.00±0.10	8.00±0.20	4.00±0.10	1.55±0.10	1.75±0.10

(Unit: mm)



DIMENSIONS	L	L1	W	W1
	178±1.00	13±0.50	11.5±0.20	8±0.10

(Unit: mm)

Reflow Profile

Solder melting point : 220°C ± 10°C, 60 sec. Min.

Peak temperature : 260°C ± 5°C, 10 sec. Min.

