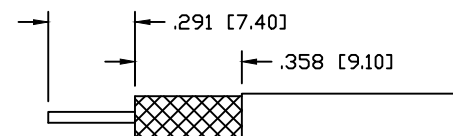
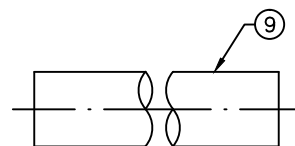
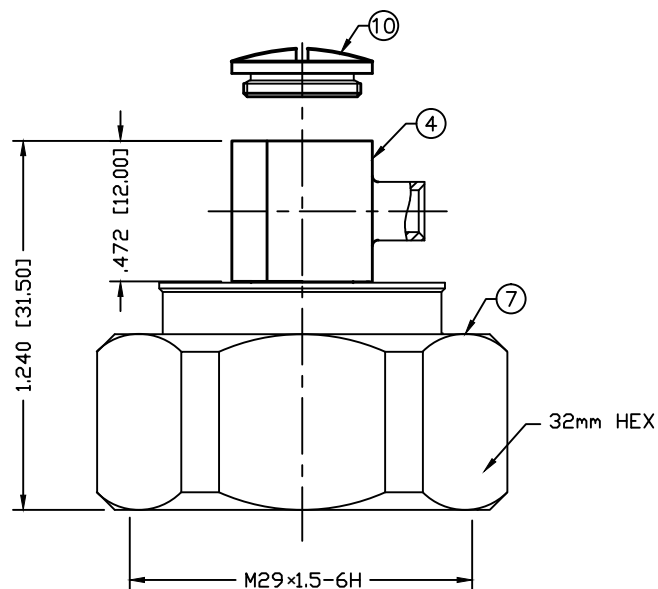


PART NO.

RFD-1610-SR2

REV	DESCRIPTION	DWN	DATE	APPROVED
-	ENGINEERING RELEASE	CZS	05/17/17	JDMc



RECOMMENDED STRIPPING DIMENSIONS

SPECIFICATIONS:

INTERFACE: IEC61169-16
 IMPEDANCE: 50 OHMS
 FREQUENCY RANGE: DC-6GHz
 VSWR MAX: <1.15:1 @ DC-3 GHz
 3rd ORDER IM: ≤-160 dBc
 OPERATING TEMPERATURE: -55°C TO +165°C
 FOR .141 SEMI RIGID, RG-402/U & BELDEN 1673A CABLE

#	DESCRIPTION	QTY	MATERIAL	FINISH
10	SCREW CAP	1	BRASS	WHITE BRONZE
9	TUBING	1	HEAT SHRINK	----
8	O-RING	1	RUBBER	----
7	SHELL	1	BRASS	WHITE BRONZE
6	INSULATOR	1	PTFE	----
5	O-RING	1	RUBBER	----
4	PRESS BODY	1	BRASS	WHITE BRONZE
3	PIN	1	BRASS	SILVER
2	INSULATOR	1	PTFE	----
1	BODY	1	BRASS	WHITE BRONZE

CUSTOMER
OUTLINE DRAWINGALL DIMENSIONS
ARE REFERENCE ONLYUNLESS OTHERWISE SPECIFIED:
DIMENSIONS ARE IN INCHES
AND [MILLIMETERS]

DRAWN	C. ZUNIGA	05/17/17
CHECKED		
ORJ DRAWN	C. ZUNIGA	05/17/17

**RoHS
COMPLIANT**

PROPRIETARY AND CONFIDENTIAL
 THIS DRAWING CONTAINS
 INFORMATION PROPRIETARY TO
 RF INDUSTRIES. ANY
 UNAUTHORIZED USE OF THIS
 DRAWING IS EXPRESSLY
 PROHIBITED WITHOUT WRITTEN
 PERMISSION FROM RF
 INDUSTRIES. ANY VIOLATION IS
 PUNISHABLE UNDER U.S.
 COPYRIGHT LAWS.

RFconnectors

RFINDUSTRIES.COM
 7610 MIRAMAR RD.
 SAN DIEGO, CA 92126
 (858) 549-6340
 (858) 549-6345 FAX

7/16 DIN MALE
 RIGHT ANGLE FOR .141" CABLE

SIZE	CABLE GROUP	DWG NO.	REV
A	SR2	RFD-1610-SR2	—
SCALE:	ENGINEERING ID:	001787	SHEET 1 OF 1
NTS			