



PS CONNECTOR

■ Features

- Secure locking mechanism and Low insertion force
- Stable contacting performance
- Misinsertion (reverse insertion) prevention structure for the contact
- Misinsertion prevention structure for the tab (Short type housing)
- Glow wire compatible products are also available for short type housings

* Contact JST for the glow wire compatible products.

■ Standards

Ⓜ :Recognized E 60389

Ⓢ :Certified LR 20812

Ⓜ :R9850196

■ Specifications

- Current rating: 25 A AC/DC (#250 Tab /AWG #10)
- Voltage rating: 250 V AC/DC
- Temperature range: -40°C to +105°C
(including temperature rise in applying electrical current)
- Contact resistance: Initial value/ 3 mΩ max.
After environmental tests/ 6 mΩ max.
- Insulation resistance: 1,000 MΩ min.
- Withstanding voltage: 2,000 VAC/minute
- Applicable wire: #110 Series...AWG #24 to #16
#187 Series...AWG #26 to #14
#205 Series...AWG #22 to #14
#250/#250S Series...AWG #22 to #10
- Applicable Tab: #110 Series...0.5 mm thick
#187 Series...0.5 mm/ 0.8 mm thick
#205 Series...0.5 mm/ 0.8 mm thick
#250/#250S Series...0.8 mm thick

* In using the products, refer to "Handling Precautions for Terminals and Connectors" described on our website (Technical documents of Product information page).

* RoHS2 compliance

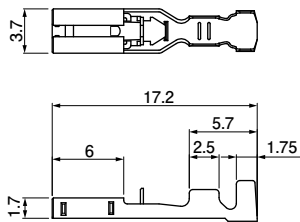
* Dimensional unit: mm

* Contact JST for details.

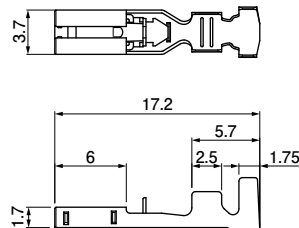
Contact

#110 Series

SPS-01T-110



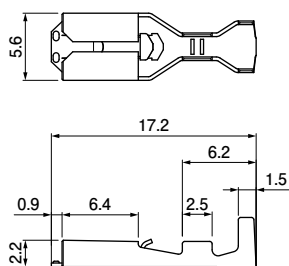
SPS-41T-110



#187 Series

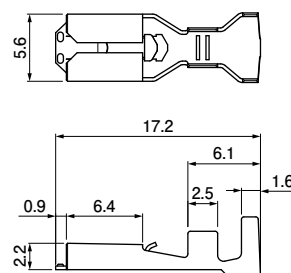
SPS-01T-187

(for 0.5 mm thick tabs)



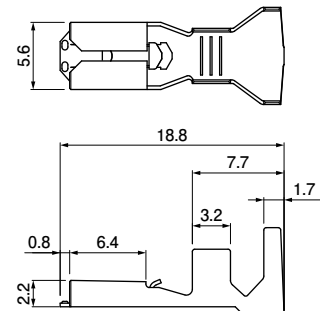
SPS-51T-187

(for 0.5 mm thick tabs)



SPS-82T-187

(for 0.5 mm thick tabs)



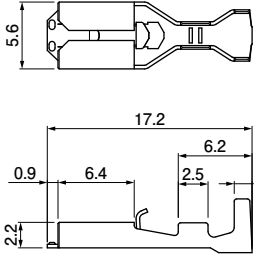
Note: The 187 series has two types of contacts that are applicable to each 0.5 mm and 0.8 mm thick tab.

PS CONNECTOR

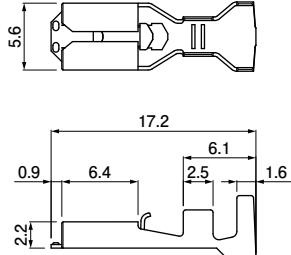
Contact

#187 Series

SPS-01T-187-8
(for 0.8 mm thick tabs)

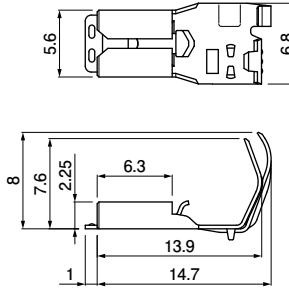


SPS-51T-187-8
(for 0.8 mm thick tabs)

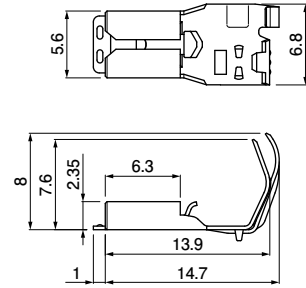


• Flag type

SFPS-41T-187
(for 0.5 mm thick tabs)



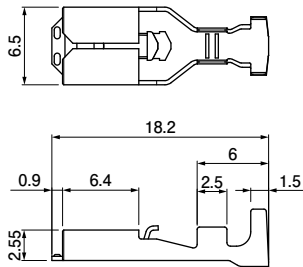
SFPS-41T-187-8
(for 0.8 mm thick tabs)



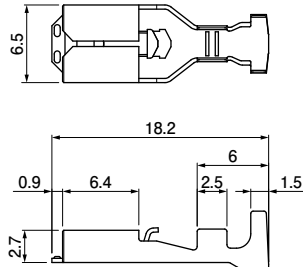
Note: The 187 series has two types of contacts that are applicable to each 0.5 mm and 0.8 mm thick tab.

#205 Series

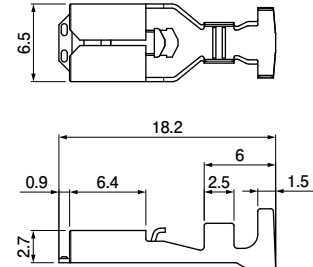
SPS-21T-205-5
(for 0.5 mm thick tabs)



SPS-21T-205
(for 0.8 mm thick tabs)



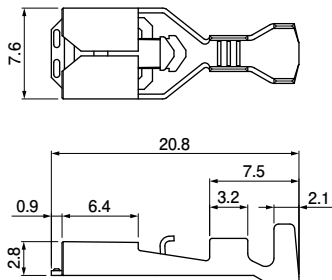
SPS-51T-205
(for 0.8 mm thick tabs)



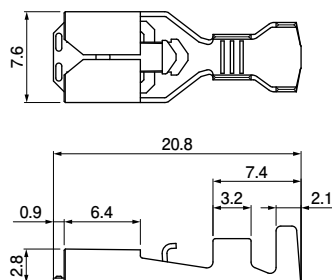
Note: The 205 series has two types of contacts that are applicable to each 0.5 mm and 0.8 mm thick tab.

#250 Series

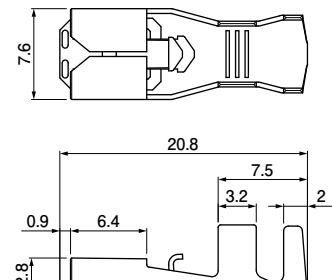
SPS-21T-250



SPS-61T-250

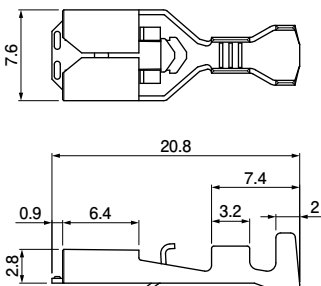


SPS-91T-250

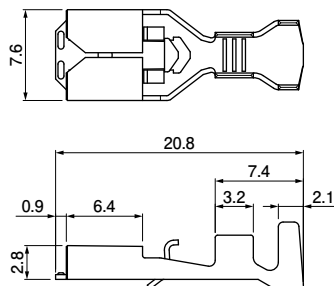


• For short type housing

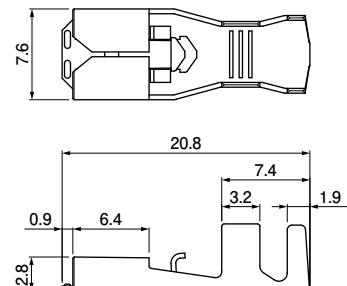
SPS-21T-250R



SPS-61T-250R



SPS-91T-250R

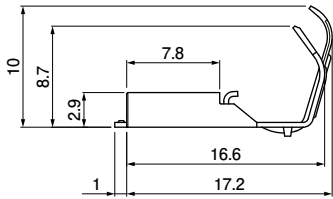
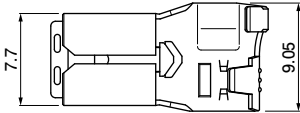


Contact

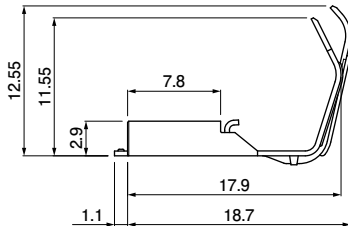
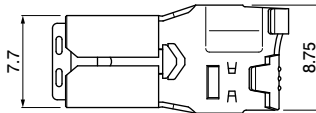
#250 Series

- Flag type

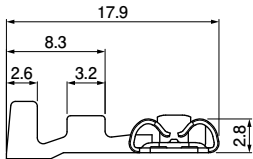
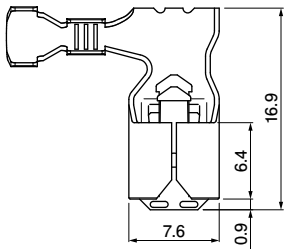
SFPS-61T-250



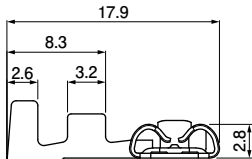
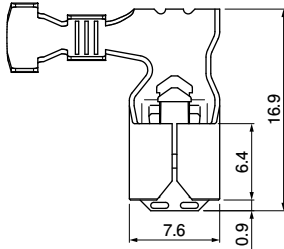
SFPS-91T-250



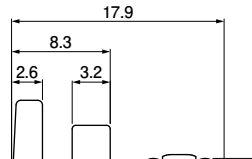
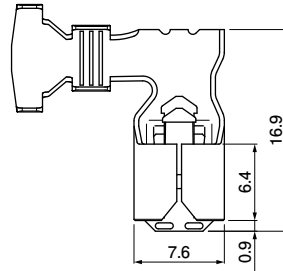
SFPS-21T-250H



SFPS-61T-250H

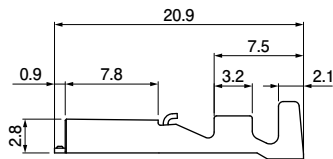
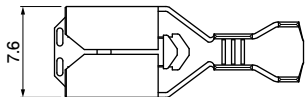


SFPS-91T-250H

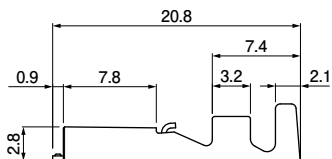
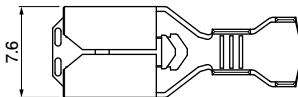


#250S Series

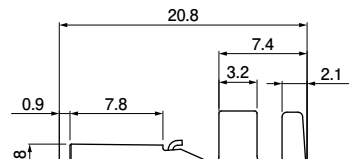
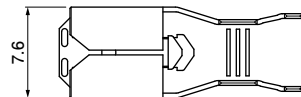
SPS-21T-250S



SPS-61T-250S



SPS-91T-250S



PS CONNECTOR

Contact

Series	Model No.	Applicable wire		Insulation O.D. (mm)	Q'ty/reel				
		mm ²	AWG #						
#110	SPS-01T-110	0.21 to 0.5	24 to 20	1.0 to 2.5	10,000				
	SPS-41T-110	0.5 to 1.31	20 to 16	1.9 to 3.4	10,000				
#187	for 0.5 mm thick tabs		SPS-01T-187	0.13 to 0.5	26 to 20	1.3 to 3.4	10,000		
			SPS-51T-187	0.5 to 2.0	20 to 14	1.9 to 3.6	7,500		
			* SPS-82T-187	0.75+0.75 to 1.25+1.25	18+18 to 16+16	2.1+2.1 to 2.9+2.9	3,500		
	for 0.8 mm thick tabs		SPS-01T-187-8	0.13 to 0.5	26 to 20	1.3 to 3.4	10,000		
			SPS-51T-187-8	0.5 to 2.0	20 to 14	1.9 to 3.6	7,500		
	Flag type	for 0.5 mm thick tabs	SFPS-41T-187	0.3 to 1.25	22 to 16	1.7 to 3.4	5,000		
for 0.8 mm thick tabs		SFPS-41T-187-8	0.3 to 1.31	22 to 16	1.7 to 3.4	5,000			
#205	for 0.5 mm thick tabs		SPS-21T-205-5	0.3 to 0.75	22 to 18	1.5 to 3.1	5,000		
	for 0.8 mm thick tabs		SPS-21T-205	0.3 to 0.75	22 to 18	1.5 to 3.1	5,000		
			SPS-51T-205	0.5 to 2.0	20 to 14	1.9 to 3.6	5,000		
#250			SPS-21T-250	0.3 to 0.75	22 to 18	1.5 to 3.1	5,000		
			SPS-61T-250	0.75 to 2.0	18 to 14	2.1 to 3.9	5,000		
			SPS-91T-250	2.0 to 5.5	14 to 10	3.0 to 4.7	4,000		
	for short type housing		SPS-21T-250R	0.3 to 0.75	22 to 18	1.5 to 3.1	3,500		
			SPS-61T-250R	0.75 to 2.0	18 to 14	2.1 to 3.9	3,500		
			SPS-91T-250R	2.0 to 5.5	14 to 10	3.0 to 4.7	3,500		
	Flag type			SFPS-61T-250	0.75 to 2.0	18 to 14	2.1 to 3.9	3,000	
				SFPS-91T-250	3.5 to 5.5	12 to 10	4.0 to 5.2	2,000	
		H type			SFPS-21T-250H	0.3 to 0.75	22 to 18	1.5 to 3.1	2,400
					SFPS-61T-250H	0.75 to 2.0	18 to 14	2.1 to 3.9	2,000
					SFPS-91T-250H	2.0 to 5.5	14 to 10	3.5 to 7.2	1,300
						1.25+1.25 to 2.0+2.0	16+16 to 14+14	1.75+1.75 to 3.6+3.6	
#250S			SPS-21T-250S	0.3 to 0.75	22 to 18	1.5 to 3.1	5,000		
			SPS-61T-250S	0.75 to 2.0	18 to 14	2.1 to 3.9	5,000		
			SPS-91T-250S	2.0 to 5.5	14 to 10	3.0 to 4.7	4,000		

Material and Finish

Brass, tin-plated

RoHS2 compliance

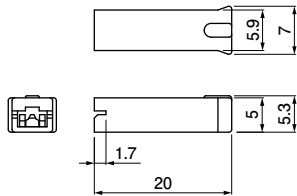
Note: *Marked product is unlisted in CSA/TÜV.

Contact	Crimping machine	Applicator		
		Crimp applicator	Dies	Crimp applicator with dies
SPS-01T-110	AP-K2N	MK-L-SPS	MK/SPS-01-110	APLMK SPS01-110
SPS-41T-110			MK/SPS-41-110	APLMK SPS41-110
SPS-01T-187 (-8)			MK/SPS-01-187	APLMK SPS01-187
SPS-51T-187 (-8)			MK/SPS-51-187	APLMK SPS51-187
SPS-82T-187			MK/SPS-82-187	APLMK SPS82-187
SFPS-41T-187 (-8)		MKF-L-PS187	MK/SFPS-41-187	APL SFPS41-187
SPS-21T-205 (-5)			MK-L-SPS	MK/SPS-21-205
SPS-51T-205		MK/SPS-51-205		APLMK SPS51-205
SPS-21T-250 (S)		MK/SPS-21-250		APLMK SPS21-250
SPS-21T-250R		MK/SPS-21-250R		APLMK SPS21-250R
SPS-61T-250 (S)		MK/SPS-61-250		APLMK SPS61-250
SPS-61T-250R		MK/SPS-61-250R	APLMK SPS61-250R	
SPS-91T-250 (S)		MK/SPS-91-250	APLMK SPS91-250	
SPS-91T-250R		MK/SPS-91-250R	APLMK SPS91-250R	
SFPS-61T-250		MKF-L-PS250	MK/SFPS-61-250	APL SFPS61-250
SFPS-91T-250			MK/SFPS-91-250	APL SFPS91-250
SFPS-21T-250H		MKS-L-RASRSF	MK/SFPS-21-250H	APLMK SFPS21-250H
SFPS-61T-250H			MK/SFPS-61-250H	APLMK SFPS61-250H
SFPS-91T-250H			MK/SFPS-91-250H	APLMK SFPS91-250H

Note: Contact JST for fully automatic crimping applicator.

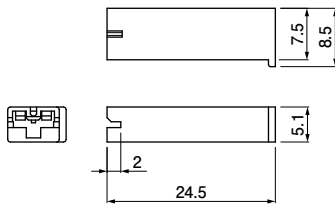
Housing

#110 Series PS-110

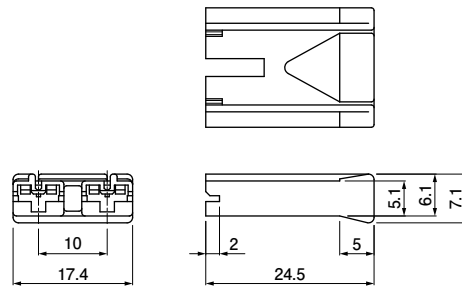


#187 Series • for 0.5 mm thick tabs

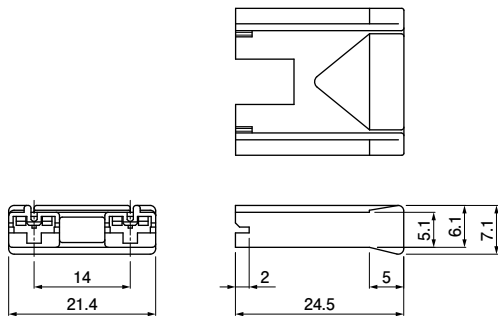
PS-187



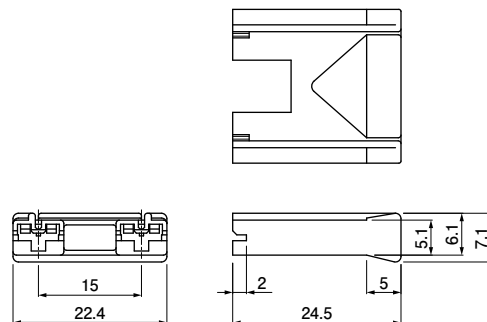
PS-187-2A-10



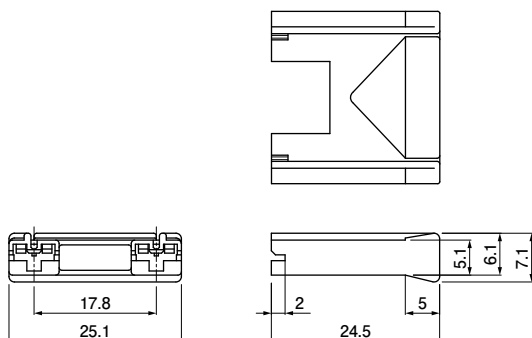
PS-187-2A-14



PS-187-2A-15



PS-187-2A-17.8



Note: The 187 series has two types of housings that are applicable to each 0.5 mm and 0.8 mm thick tab.

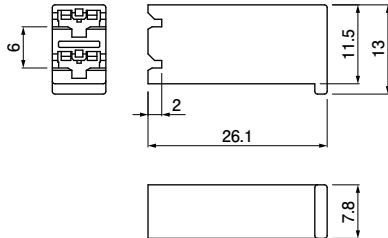
PS CONNECTOR

Housing

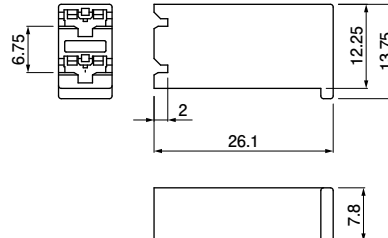
#187 Series

- for 0.5 mm thick tabs

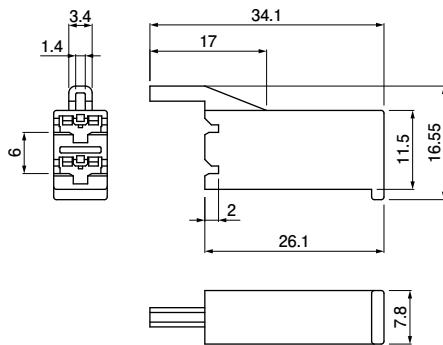
PS-187-2B



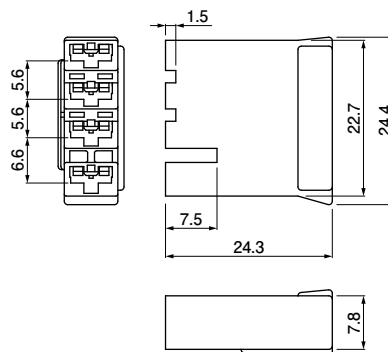
PS-187-2B-6.75



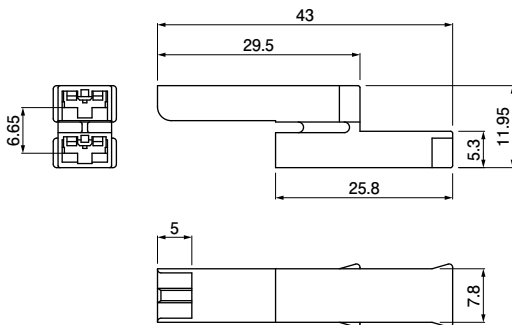
PS-187-2B1



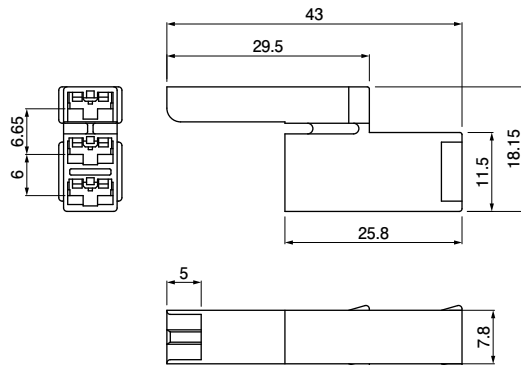
PS-187-4B



PS-187-2V

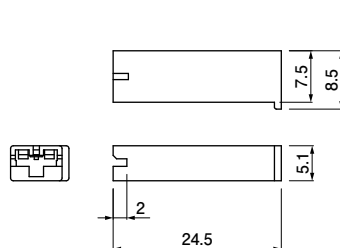


PS-187-3V

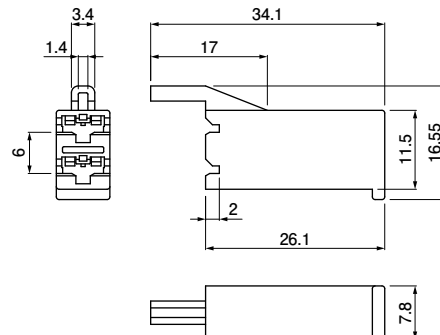


- for 0.8 mm thick tabs

PS-187-8-H



PS-187-2B1-8-H

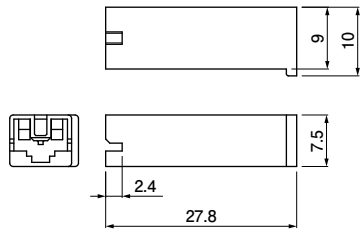


Note: The 187 series has two types of housings that are applicable to each 0.5 mm and 0.8 mm thick tab.

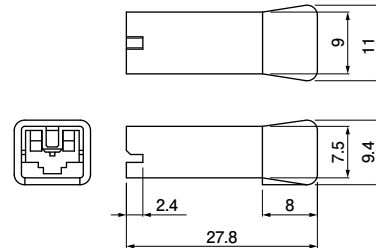
Housing

#250 Series

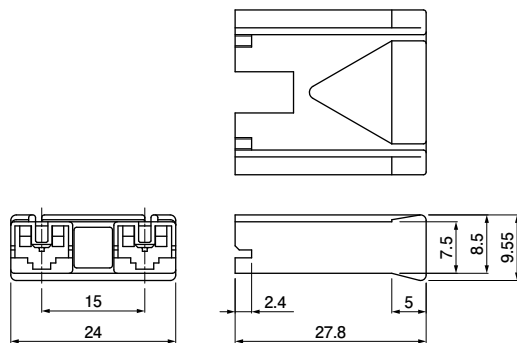
PS-250



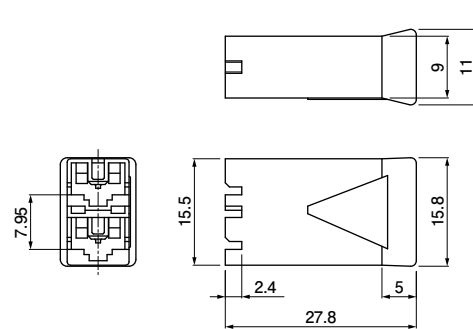
PS-250-A



PS-250-2A-15

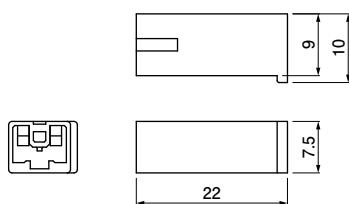


PS-250-2B

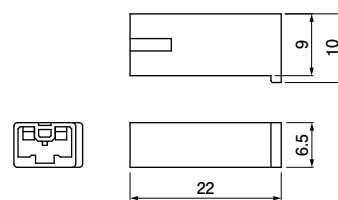


• Short type

- PS-250-G
- PS-250-G-WGJ2
(Glow wire compatible products)

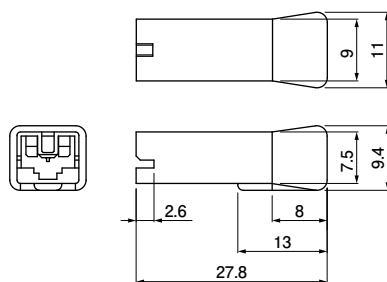


PS-250-GL (Thin type)



#250S Series

NPS-250-A

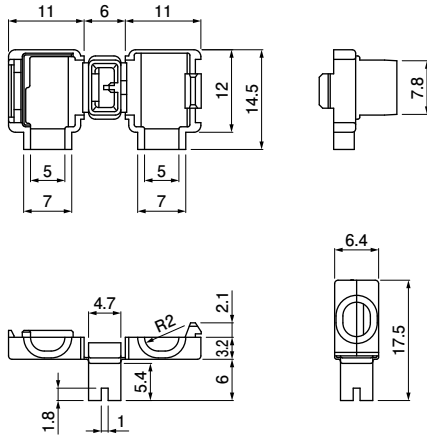


PS CONNECTOR

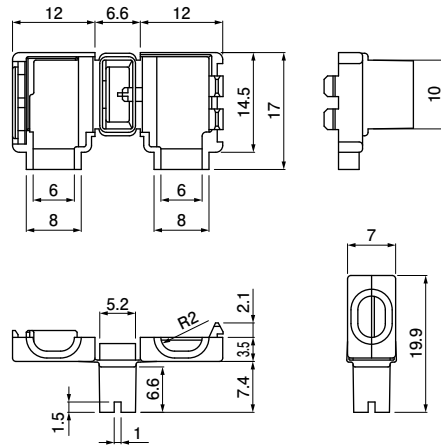
Housing

One-touch sleeve

FPS-187



FPS-250



Series	Model No.	Q'ty/bag	Applicable contact	
#110	PS-110	1,000	SPS-01T-110 SPS-41T-110	
#187	for 0.5 mm thick tabs	PS-187	1,000	SPS-01T-187 SPS-51T-187 SPS-82T-187
		PS-187-2A-10	500	
		PS-187-2A-14	500	
		PS-187-2A-15	500	
		PS-187-2A-17.8	500	
		PS-187-2B	500	
		PS-187-2B-6.75	500	
		PS-187-2B1	500	
		PS-187-4B	500	
		PS-187-2V	500	
	PS-187-3V	500		
for 0.8 mm thick tabs	PS-187-8-H (Note1)	1,000	SPS-01T-187-8	
	PS-187-2B1-8-H (Note1)	500	SPS-51T-187-8	
#250		PS-250	1,000	SPS-21T-250
		PS-250-A	500	SPS-61T-250
		PS-250-2A-15	500	SPS-91T-250
		PS-250-2B	500	
	Short type	PS-250-G	1,400	SPS-21T-250R
		PS-250-G-WGJ2 (Compatible with glow wire) (Note2)	1,400	SPS-61T-250R
	PS-250-GL (Thin type)	1,400	SPS-91T-250R	
#250S	NPS-250-A	1,000	SPS-21T-250S SPS-61T-250S SPS-91T-250S	
One-touch sleeve	* FPS-187	500	SFPS-41T-187	
	* FPS-250	500	SFPS-61T-250	

Material and Finish

PA 66, UL94V-0, natural (white)
 (Note1) PA 66, UL94V-0, gray
 (Note2) PA 6, UL94V-2, natural (white)

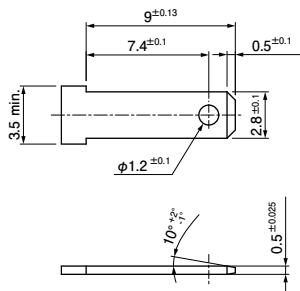
RoHS2 compliance

Note: *Marked products are unlisted in UL/CSA/TÜV.

Tab

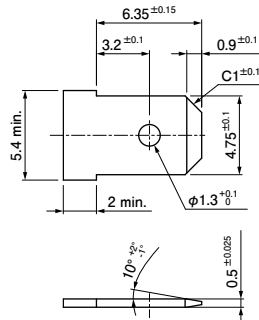
#110

0.5 mm thick tabs

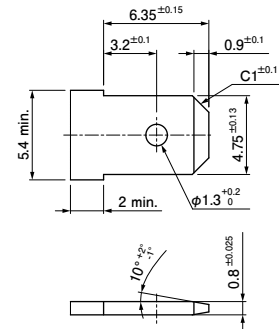


#187

0.5 mm thick tabs

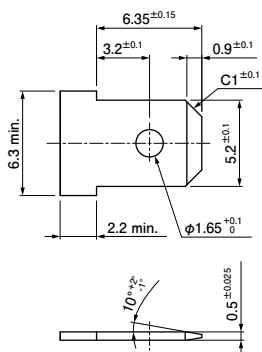


0.8 mm thick tabs

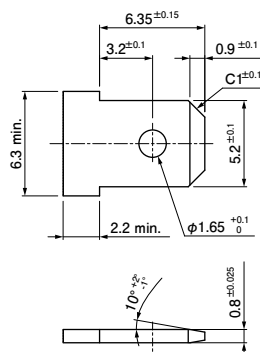


#205

0.5 mm thick tabs

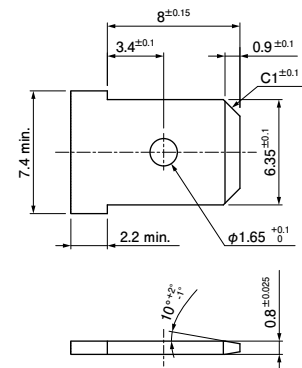


0.8 mm thick tabs



#250

0.8 mm thick tabs



- Note: 1. Use the brass materials for the tabs.
 2. No ribs or slits shall be provided on the tab surface.
 3. Contact JST when using the PS connector for Micro-switch.
 4. Contact JST when using PS-187-4B.