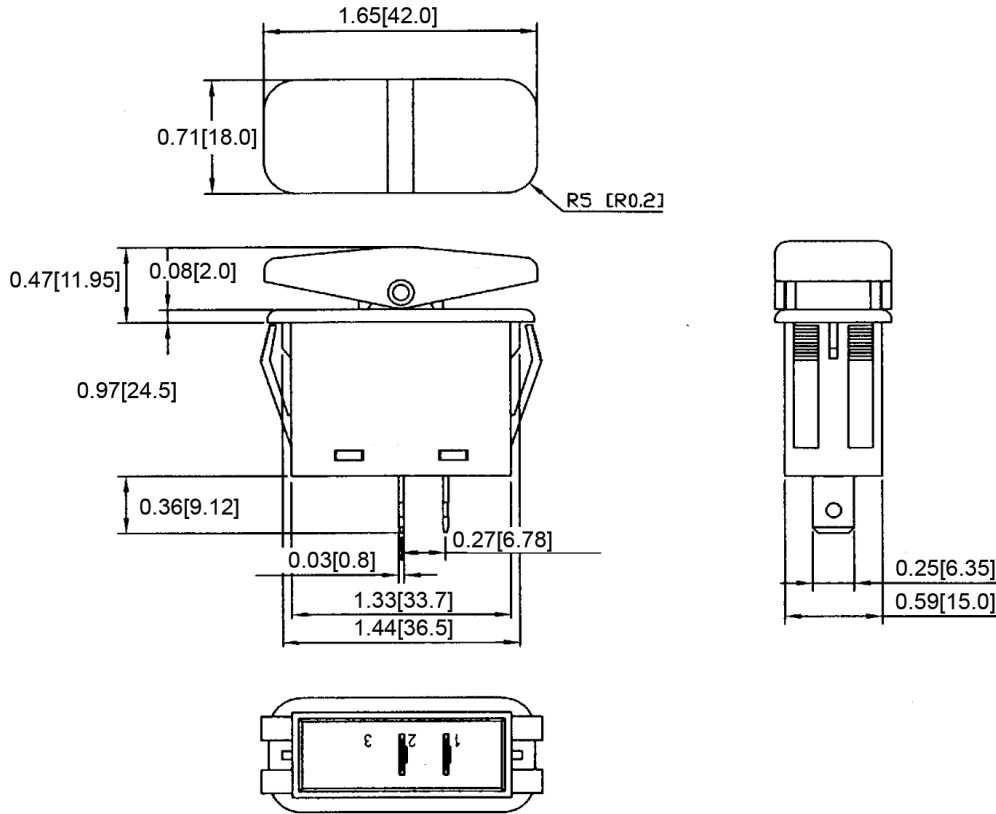
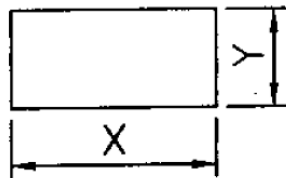


**Mechanical Dimensions: Inches [mm]**

Tolerances  $\pm 0.012$  [0.3] Unless Otherwise Specified



**Mounting Hole**



Thickness	X	Y
0.03~0.20 [0.75~5.0]	1.45+0.01 [36.8+0.2]	0.60+0.01 [15.3+0.2]

**Circuit Diagram**

2P SPST OFF-(ON)



**Electrical Specifications**

**Rating** 10(4)A 250V AC 20A 125V AC 3/4HP, 10A 250V AC 3/4HP

**Contact Resistance** 50m ohm Max

**Insulation Resistance** DC 500V 100M ohm Min

**Dielectric Strength** AC 1500V 1minute

**Operation Temperature** -20°C~85°C

**Material Specifications**

**Frame** Black, Nylon #66

**Actuator** Black, Nylon 66+33%GF

**Terminals** Copper alloy , Silver plated

**Waterproof** IP56

Rev	Date of issue	Revision Notes	Designed	Approved
B	02-26-2020	Initial Drawing	RC	OF