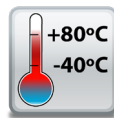


UK +44 (0)151 220 2500 // USA +1 855 958 2502 //  
www.brainboxes.com // sales@brainboxes.com

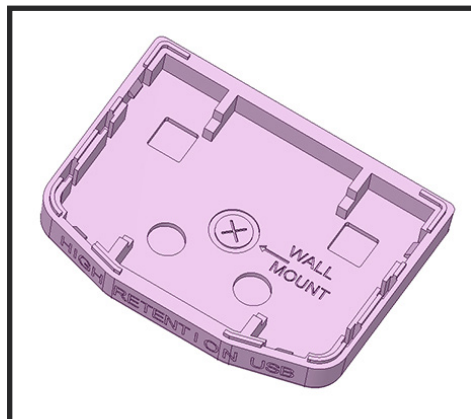
## US-235

### Ultra 1 Port RS232 USB to Serial Adapter

- 1 Port RS-232 USB to Serial Adapter
- Our smallest form factor USB to Serial
- -40°C to +80°C / -40°F to +176°F  
Operating Temperature
- High Retention USB connector with 0.5m USB cable
- Lifetime Warranty & Support



Industrial Specification  
IP-50 rated  
-40°C to +80°C  
-40°F to +176°F



Wall Mounting Option



Includes High Retention USB connector with 0.5m USB Type A to B cable



UK +44 (0)151 220 2500 // USA +1 855 958 2502 //  
www.brainboxes.com // sales@brainboxes.com

## US-235 Ultra 1 Port RS232 USB to Serial Adapter

IP-50 rated non-conducting case

High retention USB connector for an unshakeable connection

Plug and play with signed drivers

Orange color-coded insulator to differentiate from standard USB connectors

-40°C to +80°C / -40°F to +176°F temperature range

USB connection requires a minimum withdrawal requirement of 15N



Works across the full spectrum of baud rates up to 921,600 including standard and arbitrary values

### Housing & Connectors

IP-50 rated non-conducting polyamide case  
DB9 Connector - 9 Pin Male  
High Retention USB Connector  
Wall mounting screw recess

### Power Consumption

50mA @ 5V

### Power Supply Input

+5V through USB cable (supplied)

### Environmental

#### Operating Temperature

-40°C to +80°C / -40°F to +176°F

#### Storage Temperature

-40°C to +80°C / -40°F to +176°F

### Port Settings - RS232

#### Baud Rate

From 110 - 1 MegaBaud - Any custom Baud rate accepted

#### Data Bits

5,6,7 or 8

#### Parity

Odd, Even, None, Mark or Space

#### Stop Bits

1 or 2

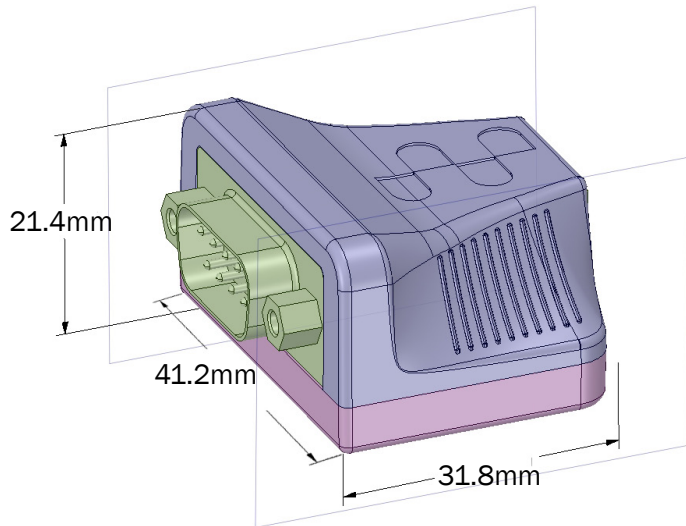
#### Flow Control

RTS/CTS, XON/XOFF

#### Tx/Rx Modes

Point to Point

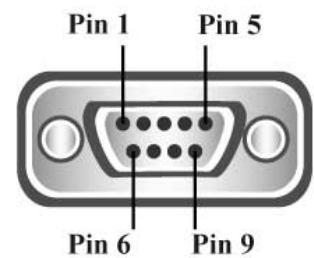
## US-235 Ultra 1 Port RS232 USB to Serial Adapter



## RS232

Pin 1	DCD
Pin 2	RXD
Pin 3	TXD
Pin 4	DTR
Pin 5	GND
Pin 6	DSR
Pin 7	RTS
Pin 8	CTS
Pin 9	RI

RS232 Pinout (9 Pin Male)



## Software

### OS Compatibility

Brainboxes' software provides a Serial COM port interface. All software versions and updates available to download from our website.

### Microsoft

Windows 8, Windows 8.1, Windows 10  
Windows Server 2016  
Windows Server 2019



### Lifetime Warranty and Support:

We can help with every aspect of your project, from getting you up and running to custom application.

UK +44 (0)151 220 2500 // USA +1 855 958 2502 //  
www.brainboxes.com // sales@brainboxes.com

## US-235 Ultra 1 Port RS232 USB to Serial Adapter

Packaging Information	QSG, Device, 0.5m USB Type A to B cable (signed drivers are automatically downloaded by Windows OS)
Product Weight	0.024 kg, 0.85 ounces
Product Dims	41x38x22 mm, 1.6x1.5x0.9 inches
Packaged Weight	0.155 kg, 5.47 ounces
Packaged Dims	160x135x45 mm, 6.3x5.3x1.8 inches
GTIN Universal Code	837324003499
Industry Approvals	Microsoft Certified Gold Partner, WEEE, RoHS, AEO (C-TPAT), CE, UKCA, UL
HTS	8471800000
ECCN	4A994
CAGE	8QCY6
Warranty	Lifetime - online registration required
Support	Lifetime Web, Email & Phone Support from fully qualified, friendly staff who work in and alongside the Product Development Team
Standards	ISO9001, ISO14001
OEM option	Available for bulk buy OEM
Customisable	Brainboxes operate a 'Perfect Fit Custom Design' policy for volume users More info:sales@brainboxes.com

### USB to Serial Range

USB to Serial adaptors available in a range of formats and specifications

[www.brainboxes.com](http://www.brainboxes.com)



**US-101**

USB 1 Port RS232 1MBaud



**US-235**

Ultra 1 Port RS232 USB to Serial Adapter



**US-257**

2 Port RS232 USB to Serial Adapter