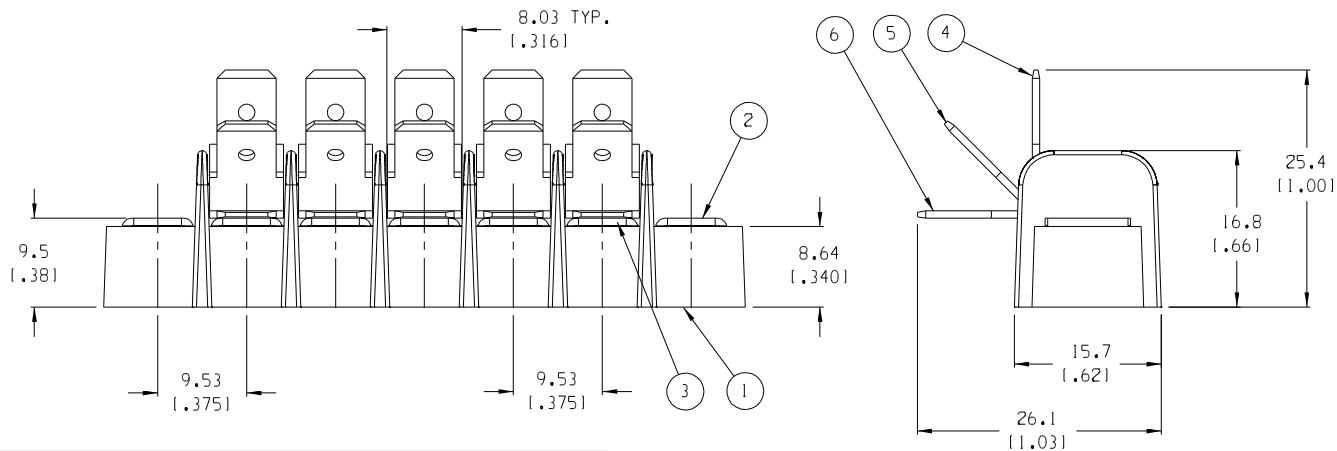


AUX. VIEW
SCALE 1:1



NOTES:

1. MATERIAL: SEE TABLE
2. FINISHES: SEE TABLE
3. PRODUCT SPECIFICATION: NOT REQUIRED
4. PACKAGING: NOT REQUIRED
5. MATES WITH: NONE
6. FAST-TAB TERMINALS ARE ASSEMBLED AS SHOWN.

7	5	SCREW, #6-32, BHD, PHIL-SLOT	STEEL	ZINC CHROMATE
6	5	FAST-TAB TERMINAL, .032 x .250, FLAT	BRASS	TIN PLATE
5	5	FAST-TAB TERMINAL, .032 x .250, SLANTED	BRASS	TIN PLATE
4	5	FAST-TAB TERMINAL, .032 x .250, VERTICAL	BRASS	TIN PLATE
3	5	TERMINAL, CB	BRASS	TIN PLATE
2	2	PLATE, MTG.	BRASS	NICKEL PLATE
1	1	INSULATOR, SR, CB	THERMOPLASTIC	BLACK
ITEM	QTY.	DESCRIPTION	MATERIAL	FINISH

EC NO. A	RELEASED	DESCRIPTION
	CLY	
DRW'G	MAJOR	QUALITY
CHK'G	CRITICAL	SYMBOLS
APPR:	S	
REV	S	

GENERAL TOLERANCES: (UNLESS SPECIFIED)	
	mm
4 PLACES	±.0015
3 PLACES	±.038
2 PLACES	±.13
1 PLACE	±.3
ANGULAR: ±2°	
DRAFT WHERE APPLICABLE MUST REMAIN WITHIN DIMENSIONS	

SCALE 2:1	DESIGN UNITS <input type="checkbox"/> mm <input checked="" type="checkbox"/> INCH
DRAWN BY & DATE C. YORK 02-17-05	
CHECKED BY & DATE	
APPROVED BY & DATE	
CAD FILENAME 72105-1813H-14H15H	MATERIAL NO. 387291589

PROJECT NO.	-	-
DIMENSIONS:	SHT	REV
<input checked="" type="checkbox"/> mm TNGH	<input type="checkbox"/> INCH	<input type="checkbox"/> mm ONLY
THIRD ANGLE PROJECTION		
TITLE: SR BTS, CB, FAST-TAB ASSY, 5 CIRCUIT		
MOLEX INCORPORATED		
DRAWING NO. SD-38729-1589	SHEET NO. 1 OF 1	REVISE ON CAD ONLY
THIS DRAWING CONTAINS INFORMATION THAT IS PROPRIETARY TO MOLEX INCORPORATED AND SHOULD NOT BE USED WITHOUT WRITTEN PERMISSION.		
SIZE B		