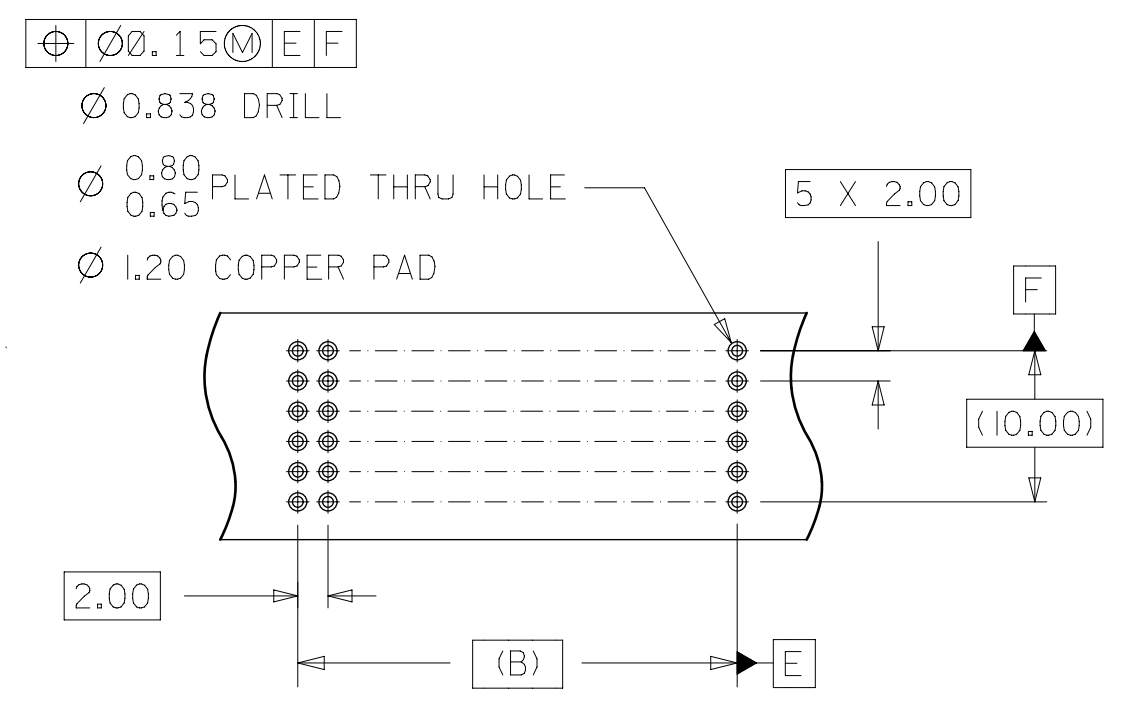
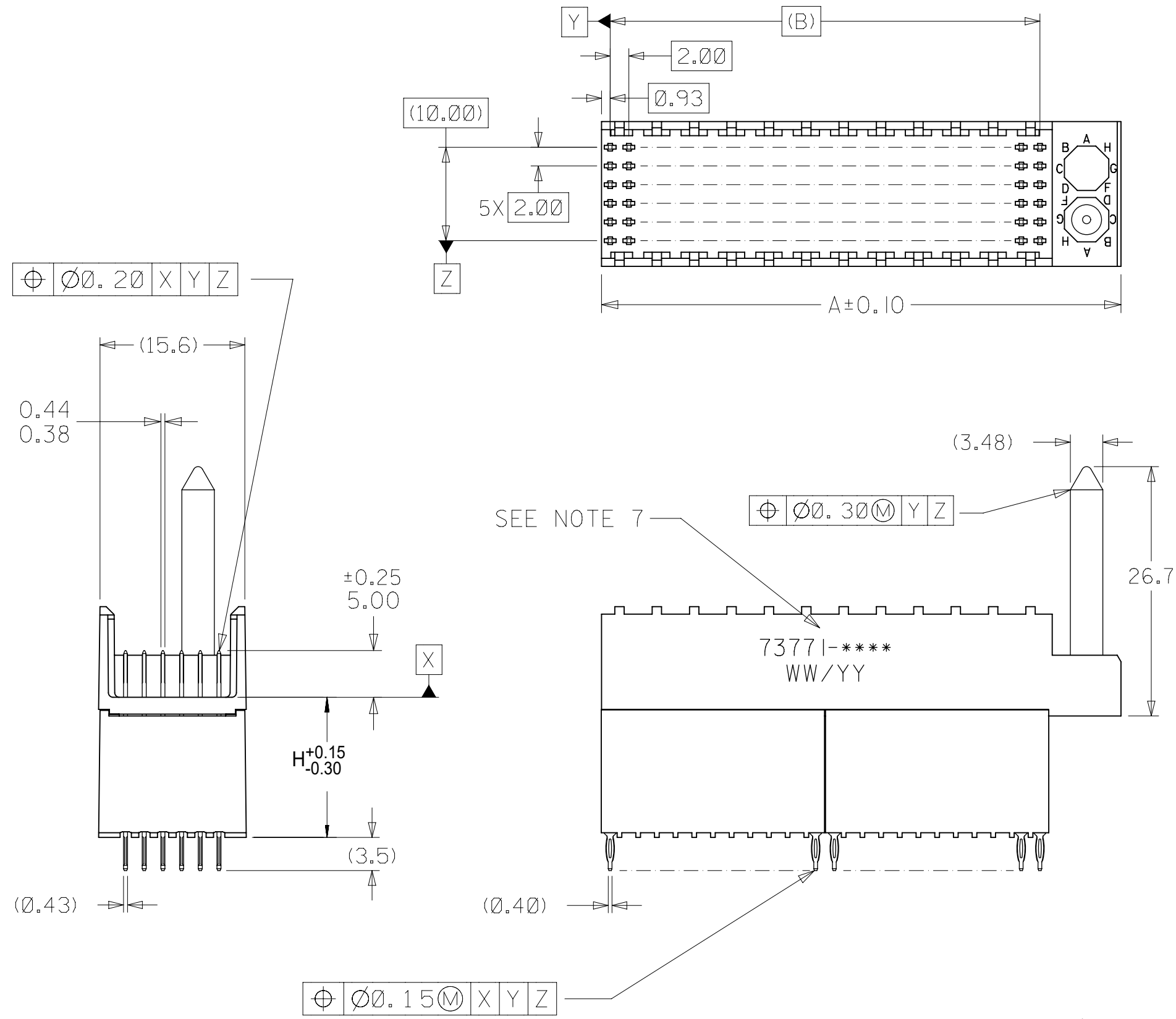


ASSEMBLY P/N	TOTAL NUMBER OF SIGNAL CONTACTS	DIM "A"	DIM "B"	DIM "H"
73771-02**	72	31.6	22.00	6.05
73771-03**	72	31.6	22.00	10.05
73771-11**	144	55.6	46.00	15.05
73771-12**	144	55.6	46.00	6.05
73771-13**	144	55.6	46.00	10.05



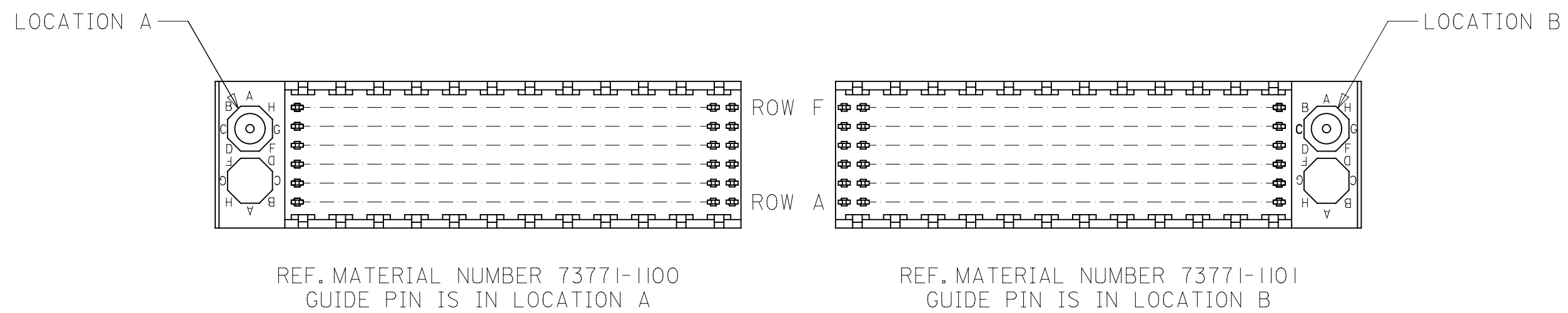
BACKPLANE HOLE PATTERN

PRE-RELEASE
REFERENCE
USE ONLY

NOTES:

1. MATERIALS: HOUSING-LIQUID CRYSTAL POLYMER (LCP), GLASS FILLED, UL 94V-0, COLOR: BLACK, TERMINAL-PHOSPHOR BRONZE
2. FINISH: SELECTIVE GOLD (Au) IN CONTACT AREA, 0.00076 mm MINIMUM THICKNESS: SELECTIVE MATTE TIN (Sn) ON TAILS, NICKEL (Ni) OVERALL.
3. THIS PART CONFORMS TO MOLEX PRODUCT SPECIFICATION PS-73780-999.
4. THIS PART CONFORMS TO COSMETIC SPECIFICATION PS-45499-002 CLASS C.
5. RECOMMENDED PCB THICKNESS: 2.50 MIN.
6. PACKAGE PER PK-70873-0870, PK-70873-0871 OR PK-70873-0875.
7. PART MARKED WITH PART NUMBER AND DATE CODE APPROXIMATELY WHERE SHOWN.

THIS DRAWING CONTAINS INFORMATION THAT IS PROPRIETARY TO MOLEX ELECTRONIC TECHNOLOGIES, LLC AND SHOULD NOT BE USED WITHOUT WRITTEN PERMISSION											
DIMENSION UNITS mm		SCALE 2:1		CURRENT REV DESC: REMOVED OBSOLETE PART NUMBER AS PER PCN#511698.							
GENERAL TOLERANCES (UNLESS SPECIFIED)				EC NO: 742551							
				MM		INCH		SALES ASSEMBLY HDM BACKPLANE STACKING MOD CLOSED END OPT PRESSFIT			
4 PLACES		±		±		±		PRODUCT CUSTOMER DRAWING			
3 PLACES		±		±		±		DOCUMENT NUMBER			
2 PLACES		± 0.05		±		±		SD-73771-001			
1 PLACE		± 0.1		±		±		DOC TYPE		DOC PART	
0 PLACES		±		±		±		PSD		001	
ANGULAR TOL		± 0.5 °						REVISION		J	
DRAFT WHERE APPLICABLE MUST REMAIN WITHIN DIMENSIONS				THIRD ANGLE PROJECTION		DRAWING		SERIES		SHEET NUMBER	
				C-SIZE		73771		MATERIAL NUMBER		CUSTOMER	
								SEE TABLE		GENERAL MARKET	
										1 OF 2	



MATERIAL NUMBER ASSIGNMENT

73771- * * * *

0 = 72-CIRCUIT
1 = 144-CIRCUIT

1 = 15.05 STACKING HEIGHT
2 = 6.05 STACKING HEIGHT
3 = 10.05 STACKING HEIGHT

NUMBER	GUIDE POST LOCATION
00	A
01	B
02	N/A

PRE-RELEASE
REFERENCE
USE ONLY

THIS DRAWING CONTAINS INFORMATION THAT IS PROPRIETARY TO MOLEX ELECTRONIC TECHNOLOGIES, LLC AND SHOULD NOT BE USED WITHOUT WRITTEN PERMISSION									
DIMENSION UNITS mm		SCALE 1:1		CURRENT REV DESC: REMOVED OBSOLETE PART NUMBER AS PER PCN#511698.				molex	
GENERAL TOLERANCES (UNLESS SPECIFIED)				EC NO: 742551		SALES ASSEMBLY HDM BACKPLANE STACKING MOD CLOSED END OPT PRESSFIT			
4 PLACES ±		±		DRWN: SANTHN		2023/03/30		PRODUCT CUSTOMER DRAWING	
3 PLACES ±		±		CHK'D: GGA		2023/05/12			
2 PLACES ±		0.05 ±		APPR: GGA		2023/05/12		DOCUMENT NUMBER SD-73771-001	
1 PLACE ±		0.1 ±		INITIAL REVISION:		DOC TYPE PSD			
0 PLACES ±		±		DRWN: JBINGHAM		1997/03/07		REVISION J	
ANGULAR TOL ±		0.5 °		APPR: CBIXLER		1997/03/07		MATERIAL NUMBER SEE TABLE	
DRAFT WHERE APPLICABLE MUST REMAIN WITHIN DIMENSIONS		THIRD ANGLE PROJECTION		DRAWING C-SIZE		SERIES 73771		CUSTOMER GENERAL MARKET	
SHEET NUMBER 2 OF 2									