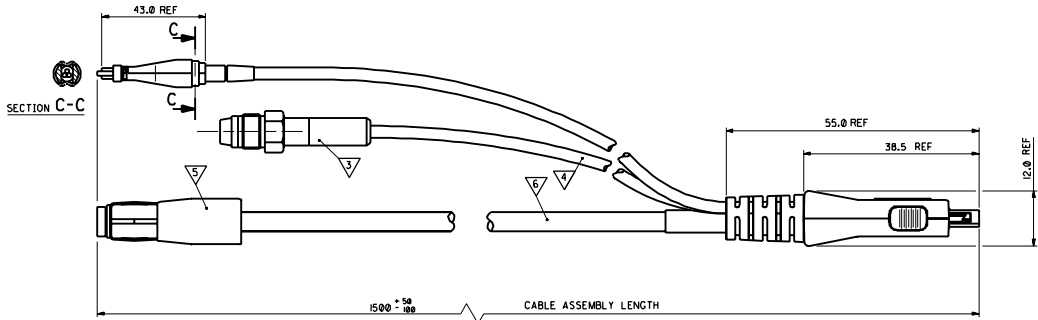
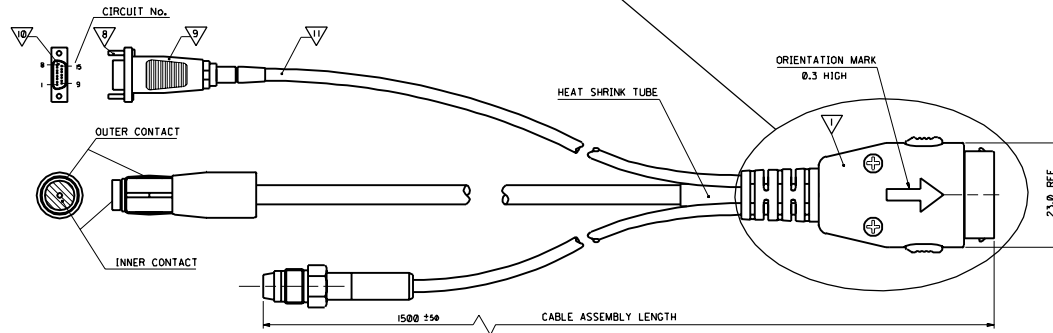


PARTIAL VIEW  
SCALE 5:1



**▽ CABLE SPECIFICATION : 3 CORE CABLE REF.**

CABLE TYPE: FLAT  RIBBON  ROUND  OTHER

SPIRAL CABLE YES  NO

NO. OF CONDUCTORS

2. CABLE REQUIREMENTS : N/A

3. CONDUCTOR SPECIFICATIONS :

CONDUCTOR :	
- MATERIAL :	TINNED CU
- A.W.G. :	30
- STRANDING QTY/GAUGE :	7/30
- TENSILE STRENGTH :	N/A
INSULATION :	
- MATERIAL :	PVC
- MIN. WALL THICKNESS :	0.22 REF
- COLOUR :	SEE WIRING DIA.
- OUTSIDE DIAMETER :	BLT REF.
DIRECTION OF LAY :	S
LENGTH OF LAY :	50
UL RATING :	N/A

4. FILLER : N/A

5. CABLE JACKET :

TYPE :	PVC
FINAL DIAMETER :	2.60 REF
MIN. THICKNESS :	0.60
COLOR :	BLACK
FINISH :	MATT
UL RATING :	N/A
HARDNESS :	
STRIPABILITY :	
MARKINGS :	

RED WHITE (OR BROWN) BLACK SCALE 20:1

©24851-Z1303-A120-1 YEAR / MONTH M01 PRINTED IN WHITE EVERY 400 YEAR / MONTH OF MANUFACTURE TO IEC 62 INDEX 5.1

**▽ CABLE SPECIFICATION : 2 CORE CABLE REF.**

CABLE TYPE: FLAT  RIBBON  ROUND  OTHER

SPIRAL CABLE YES  NO

NO. OF CONDUCTORS

2. CABLE REQUIREMENTS : N/A

3. CONDUCTOR SPECIFICATIONS :

CONDUCTOR :	
- MATERIAL :	TINNED CU
- A.W.G. :	22
- STRANDING QTY/GAUGE :	7/30
- TENSILE STRENGTH :	N/A
INSULATION :	
- MATERIAL :	PVC
- MIN. WALL THICKNESS :	0.22 REF
- COLOUR :	RED
- OUTSIDE DIAMETER :	1.20 REF
DIRECTION OF LAY :	S
LENGTH OF LAY :	40
UL RATING :	UL - 2464

4. FILLER : ENOUGH TO MAKE THE ASSEMBLY ROUND

5. CABLE JACKET :

TYPE :	PVC
FINAL DIAMETER :	2.2 REF
MIN. THICKNESS :	0.60
COLOR :	BLACK
FINISH :	MATT
UL RATING :	UL - 2464
HARDNESS :	
STRIPABILITY :	
MARKINGS :	

SCALE 10:1

WIRING DIAGRAM 1

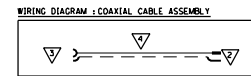
CONTACT	CONDUCTOR No.	COLOR	CIRCUIT No.
INNER	1	RED	1
OUTER	2	BLACK	15

ITT CANNON 3 CORE CABLE

CIRCUIT No.	CONDUCTOR No.	COLOR
1	3	BLACK
2	2	RED
7	1	WHITE (OR BROWN)

BILL OF MATERIALS

NO.	QUANTITY	SUPPLIER	DESCRIPTION	PART No.	SEE NOTE
1	1	MOLEX	16 CIRCUIT 1/0 MOBILE PHONE PLUG CONNECTOR	90813-0001	L 2, 3
1	1	MOLEX	COAXIAL RF CONNECTOR	90853-0001	5
1	1	ROSENBERGER	COAXIAL RF CONNECTOR	264 01-02	5
1	1	NO PREFERRED SUPPLIER	COAXIAL CABLE 50 OHM	RF 174 A/U	5
1	1	SGS THOMSON	CIGARETTE LIGHTER WITH ELECTRONIC AND CABLE	CS-R28.4	5
1	1	MOLEX	2 CORE CABLE SEE CABLE SPECIFICATION	99036-0003	4, 5
1	1	MOLEX	MOULDED ON GROMMET		5, 6
1	1	ITT CANNON	15 POLE PIN CONNECTOR WITH GUIDE PINS	MDS-08122-22	5
1	1	ITT CANNON	JUNCTION SHEETS WITH STRAIN RELIEF RING	MDS-5606-VS1	5
3	3	ITT CANNON	CRIMP CONTACT PINS	MDS-P-T5	5
1	1	MOLEX	3 CORE CABLE SEE CABLE SPECIFICATION	99036-0087	5
1	1	NO PREFERRED SUPPLIER	JUMPER CABLE 26 AWG	99036-0015	5



- NOTES:-
- MATES WITH SERIES 90811 HANDSET CONNECTOR.
  - SEE PRODUCT SPECIFICATION No. PS-99020-0033
  - POWER CONTACTS TO BE ON CIRCUITS 1,2,15,16
  - ALL CABLE CONDUCTORS AND RF ARE TO BE COVERED WITH HEAT SHRINK INSULATION TUBING .
  - ONLY AVAILABLE FROM MOLEX AS PART OF A CABLE ASSEMBLY .
  - SEE GROMMET SPECIFICATION ES-99038-0006
  - SEE PACKING SPEC. ES-99039-0002(OPTION 1,3) LABELLED AS SHOWN BELOW YEAR AND MONTH, "XX", TO BE PRINTED ACCORDING TO IEC 62 INDEX 5.1 .
  - SEE APPLICATION SPEC. ES-99033-0003 .

V24851-Z1303-A120-1  
W0472  
XX MXI  
MOLEX 90813-1007

FOR PREVIOUS DRAWING ISSUES SEE MRL

REVISIONS	DATE	BY	REASON
1			

REVISE ONLY ON CAD SYSTEM

MOLEX EUROPE

SYSTEM CONNECTOR  
PLUG CABLE ASSEMBLY

SHEET NO. DATE  
10F 1 94/10/11

PART NO. 90813-1007  
DRAWING NO. SDA-90813-1007