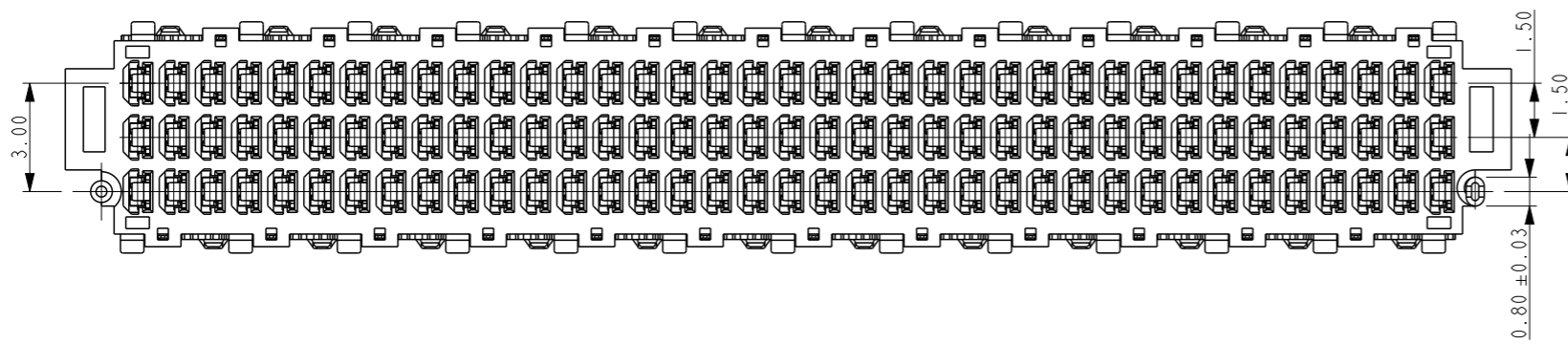
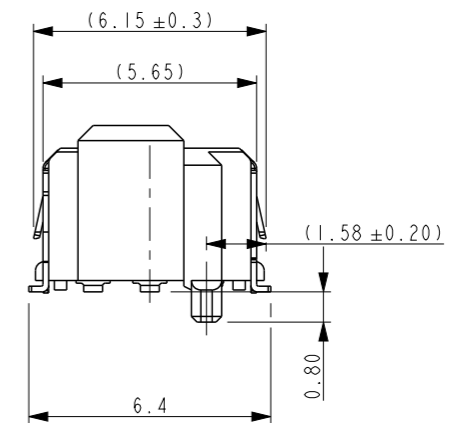
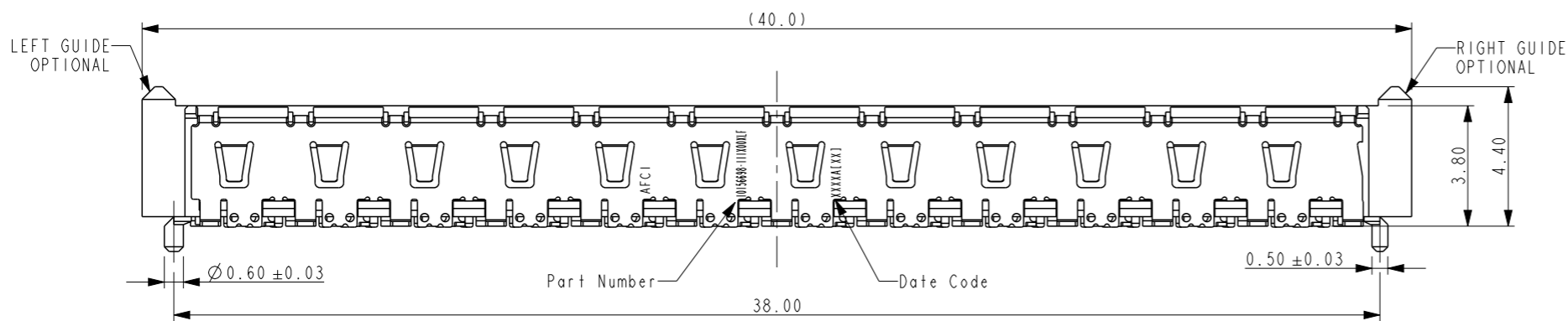
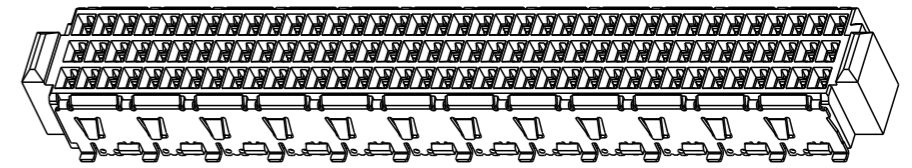
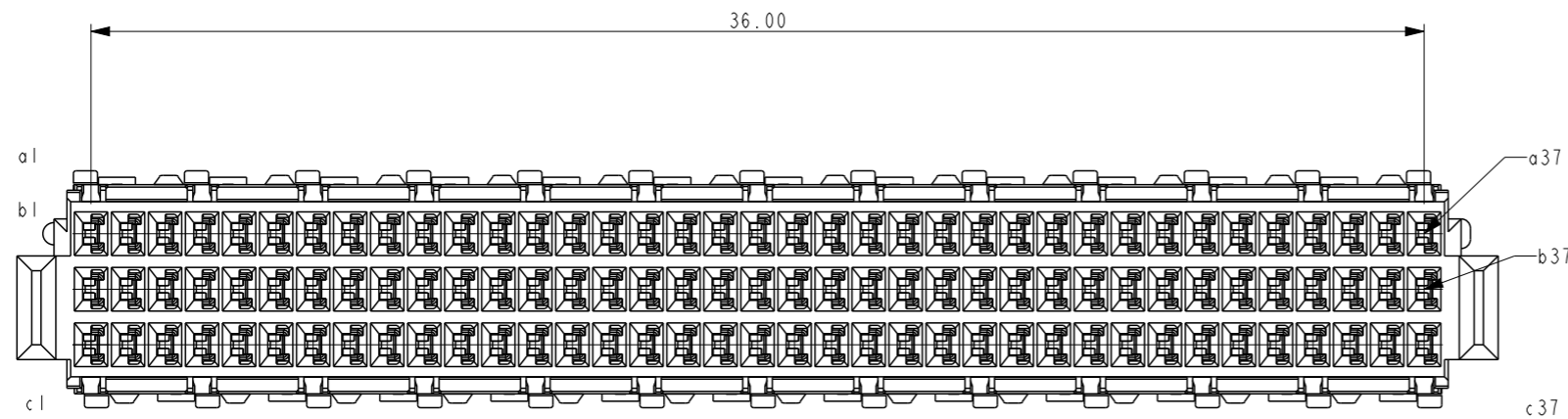


PRODUCT NO.
10160299-111X00XLF

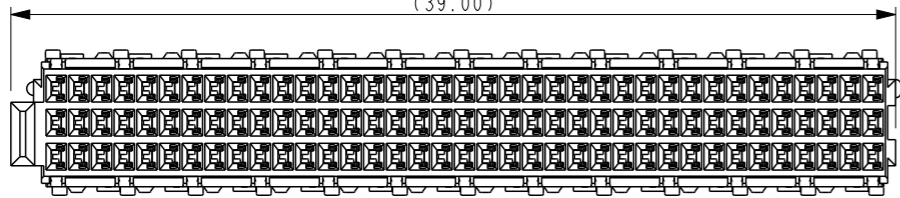


- NOTES:
- MATERIAL:
 - HOUSING AND CAP: THERMOPLASTIC
 - TERMINAL AND SHIELD: COPPER ALLOY
 - PLATING: 1-3 μ m NI UNDER PLATING;
 - CONTACT AREA: ACCORDING TO PART NUMBER;
 - SOLDER TAIL: ACCORDING TO PART NUMBER.
 - COPLANARITY AREA OF TERMINATION 0.10MM MAX
 - THIS HOUSING WILL WITHSTAND EXPOSURE TO 260°C PEAK TEMPERATURE FOR 20 SECONDS IN A IR REFLOW SOLDERING APPLICATION

spec ref	*	dr	Li-Qing Lei	2020/09/23	projection	mm	size	A3	scale	5:1											
tolerance std	TOLERANCES UNLESS OTHERWISE SPECIFIED	eng	Li-Qing Lei	2020/12/14			ecn no	-	rel level	Released											
surface	<table border="1"> <tr> <td>linear</td> <td>0.X</td> <td>±0.25</td> </tr> <tr> <td></td> <td>0.XX</td> <td>±0.15</td> </tr> <tr> <td></td> <td>0.XXX</td> <td>±0.10</td> </tr> <tr> <td>ASME Y14.5</td> <td>angular</td> <td>0°</td> <td>±2°</td> </tr> </table>	linear	0.X	±0.25				0.XX	±0.15		0.XXX	±0.10	ASME Y14.5	angular	0°	±2°	chr	-	product family		
linear	0.X	±0.25																			
	0.XX	±0.15																			
	0.XXX	±0.10																			
ASME Y14.5	angular	0°	±2°																		
		appr	Tim Yao	2020/12/14	Amphenol FCI		cat. no.	10160299	rev	A											
					Receptacle 3 ROW BTB Secure Connector		Product - Customer Drw	sheet 1 of 2													

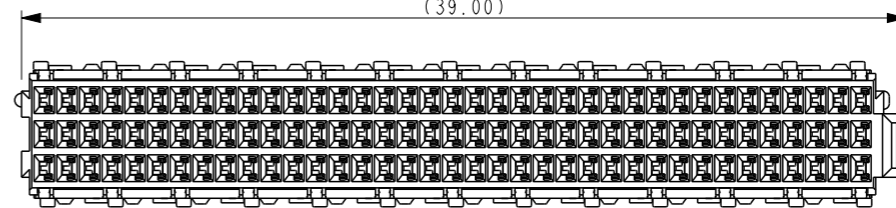
10160299-111X001LF

(39.00)



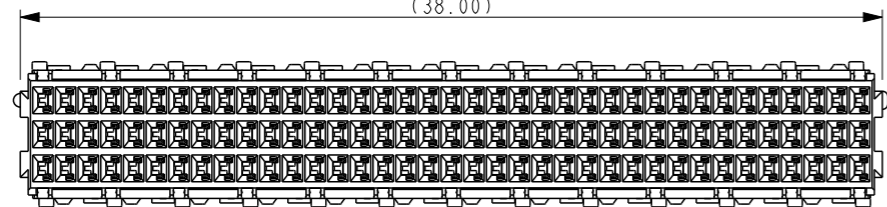
10160299-111X002LF

(39.00)



10160299-111X000LF

(38.00)



PART NUMBER DESCRIPTION

10160299-111X00XLF

PIN NUMBER _____ LEAD FREE

PLATING OPTION: _____ GUIDE OPTION

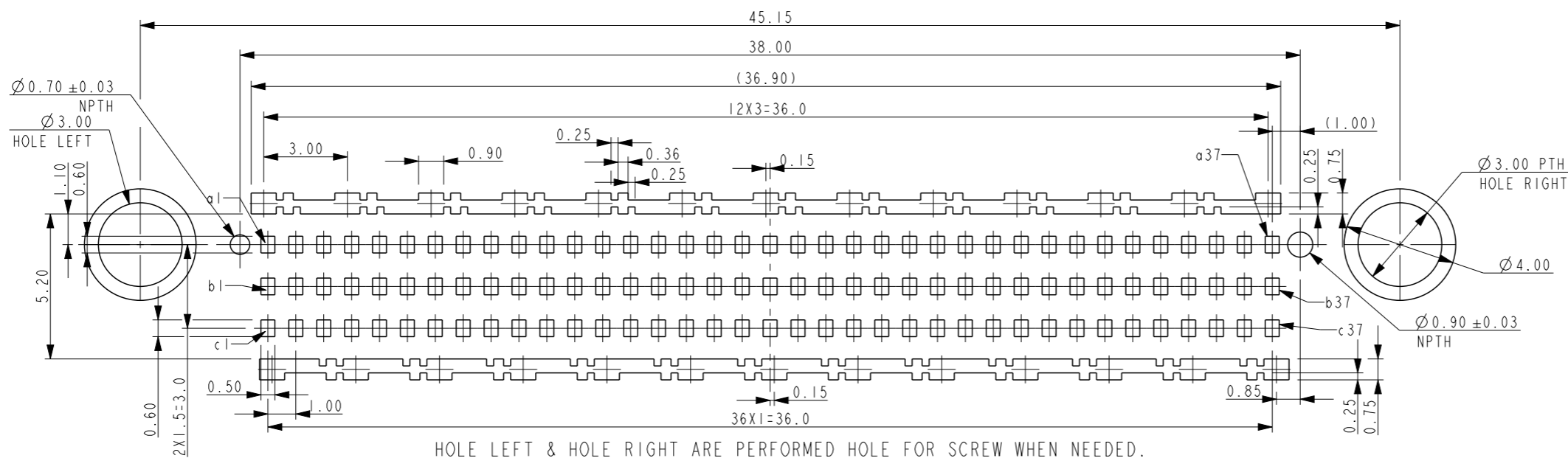
CONTACT AREA AND SOLDER TAIL; 0: WITHOUT GUIDE;

1. 8u" GXT OR GOLD ON CONTACT AREA; 1: WITH LEFT GUIDE;

80-160u" TIN OR GOLD FLASH ON SOLDER TAIL; 2: WITH RIGHT GUIDE;

3: WITH BOTH GUIDES.

PCB LAYOUT PROPOSAL
TOLERANCE RECOMMENDED ±0.05



spec ref	*	dr	Li-Qing Lei	2020/09/23	projection	mm	size	A3	scale	5:1								
tolerance std	TOLERANCES UNLESS OTHERWISE SPECIFIED	eng	Li-Qing Lei	2020/12/14			ecn no	-	rel level	Released								
surface	<table border="1"> <tr> <td>linear</td> <td>0.X</td> <td>±0.25</td> </tr> <tr> <td></td> <td>0.XX</td> <td>±0.15</td> </tr> <tr> <td></td> <td>0.XXX</td> <td>±0.10</td> </tr> <tr> <td>ASME Y14.5</td> <td>angular</td> <td>0°</td> <td>±2°</td> </tr> </table>	linear	0.X	±0.25								0.XX	±0.15		0.XXX	±0.10	ASME Y14.5	angular
linear	0.X	±0.25																
	0.XX	±0.15																
	0.XXX	±0.10																
ASME Y14.5	angular	0°	±2°															
appr	Tim Yao	2020/12/14	Amphenol FCI		Receptacle 3 ROW BTB Secure Connector		cat. no.	Product - Customer Drw	sheet 2 of 2									
							dwg no	10160299		rev	A							