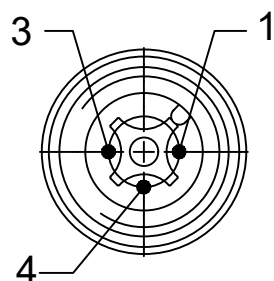
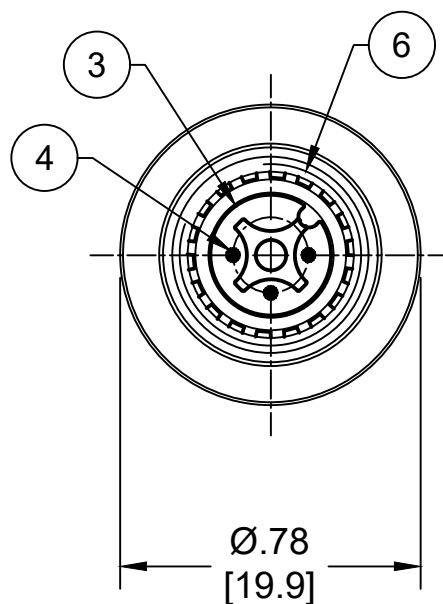


**MALE FACE VIEW
3-POLE**



WIRING DIAGRAM

1 BROWN
3 BLUE
4 BLACK



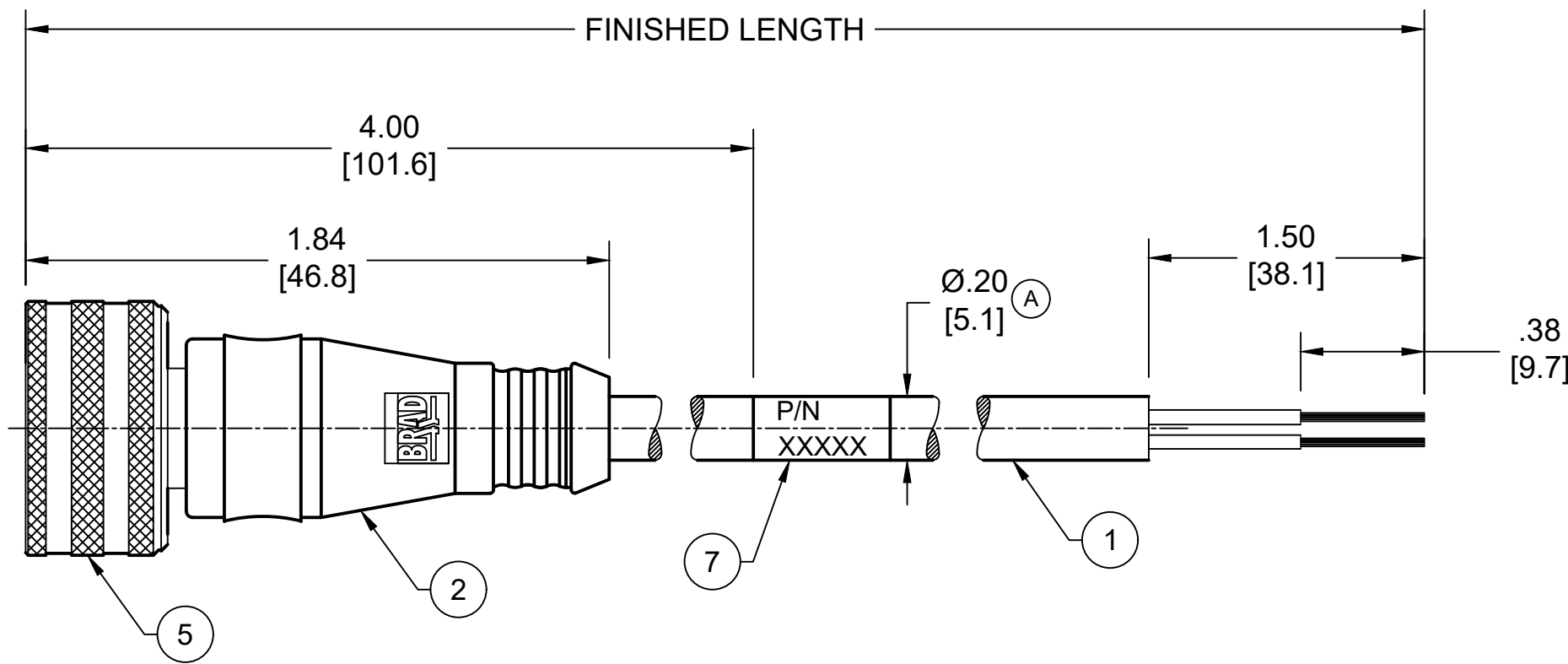
NOTES:

1. MATERIAL: AS NOTED
2. FINISH: AS NOTED
3. ELECTRICAL:
VOLTAGE: 250V
CURRENT: 4A
4. TEMP RATING: -20°TO +105°C
5. PROTECTION: IP67/69K (WHEN MATED)
6. CSA CERTIFIED FILE: LR6837 (A)
7. ALL DIMENSIONS ARE FOR REFERENCE UNLESS TOLERANCED OR NOTED OTHERWISE

7	WRAP LABEL	VINYL	BLACK/YELLOW	(A)
6	O-RING	VITON	GREEN	
5	COUPLER	BRASS	NICKEL PLATED	
4	CONTACT PIN	COPPER ALLOY	GOLD OVER NICKEL	
3	MALE INSERT	PUR	BLACK	(A)
2	OVERMOLD	PUR	YELLOW	
1	#22 AWG CABLE	PVC JACKET	YELLOW	
ITEM	DESCRIPTION	MATERIAL	FINISH	

DOCUMENT STATUS | P1 | RELEASE DATE | 2022/04/16 16:04:42

(A) PART NO	ENGINEERING NO.	FINISHED LENGTH
1200790175	W03006A09M020	2M [6FT 7 IN]
1200790173	W03006A09M050	5M [16FT 5 IN]
1200790171	W03006A09M100	10M [32FT 10 IN]



(A) **PART NUMBER LEGEND**
W03006A09M020

FINISHED LENGTH
M005 = 0.5 METER
M010 = 1 METER
M100 = 10 METER

(A) **CABLE LENGTH TOLERANCES**

<.3M [1FT]:	+19mm-0 [+ .75in-0]
.3 - .9M [1 - 3FT]:	+44.5mm-0 [+1.75in-0]
.9 - 1.8M [3 - 6FT]:	+55.6mm-0 [+2.19in-0]
1.8 - 3.7M [6 - 12FT]:	+88.9mm-0 [+3.50in-0]
3.7 - 7.3M [12 - 24FT]:	+165.1mm-0 [+6.50in-0]
7.3-14.6M [24 - 48FT]:	+317.5mm-0 [+12.50in-0]
14.6 - 30.5M [48-100FT]:	+622.3mm-0 [+24.50in-0]
OVER 30M [100FT]	+2% OF FINISHED LENGTH

FUNCTIONAL SYMBOLS FA=0 FB=0 FC=0	THIS DRAWING CONTAINS INFORMATION THAT IS PROPRIETARY TO MOLEX ELECTRONIC TECHNOLOGIES, LLC AND SHOULD NOT BE USED WITHOUT WRITTEN PERMISSION	CURRENT REV DESC: ITEM #3 WAS NYLON & #7 WAS MYLAR. REMOVED UL. ADDED CSA. CABLE DIA, PN MATRIX & TOL CHART. MODIFIED PN TABLE.	
	DIMENSION UNITS INCH/MM	SCALE NTS	
DIVISIONAL SYMBOLS	GENERAL TOLERANCES (UNLESS SPECIFIED)		EC NO: 702709 DRWN: ABENJAMINLW 2021/07/20 CHK'D: RSTONE 2022/04/11 APPR: BWOODMAN 2022/04/16
	4 PLACES ±----	mm INCH ±----	
DRAFT WHERE APPLICABLE MUST REMAIN WITHIN DIMENSIONS		THIRD ANGLE PROJECTION	DRAWING SERIES MATERIAL NUMBER CUSTOMER SHEET NUMBER A3-SIZE 120079 SEE CHART GENERAL MARKET 1 OF 1

molex
MICRO-CHANGE ULTRA LOCK, M12
3-POLE, MALE, STRAIGHT, SINGLE KEY, #22 AWG
PRODUCT CUSTOMER DRAWING
DOCUMENT NUMBER: SD-120079-023 | DOC TYPE: PSD | DOC PART: 001 | REVISION: A