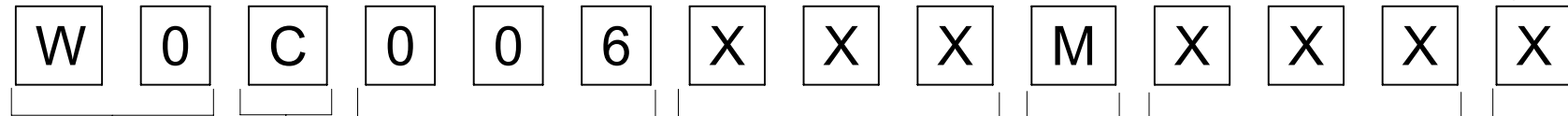


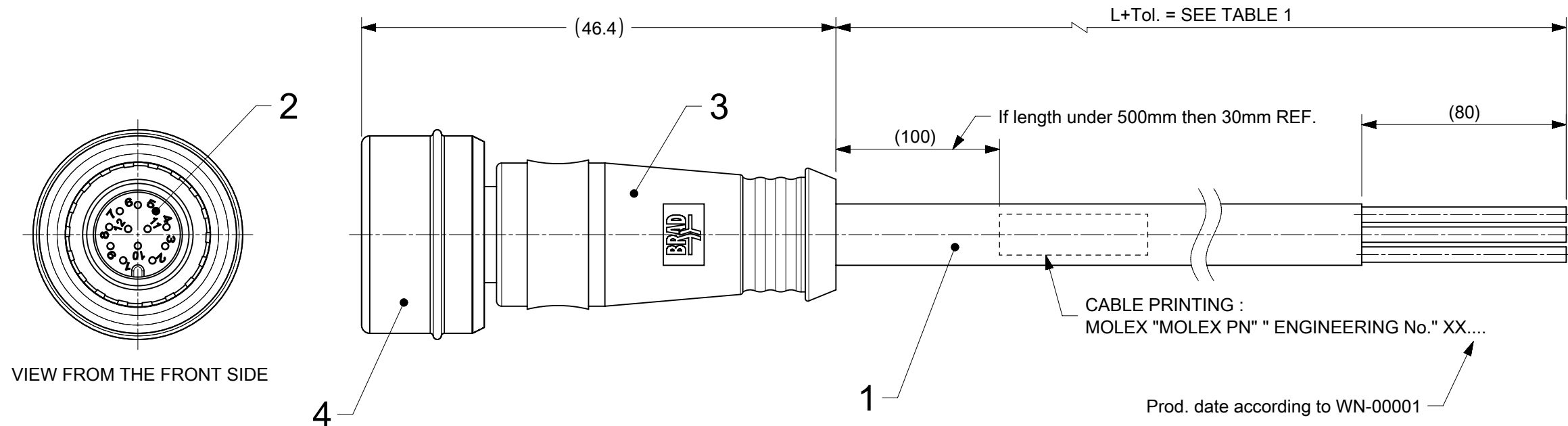
VIEW FROM THE FRONT SIDE

PIN	COLOR
1	WHITE
2	BROWN
3	GREEN
4	YELLOW
5	GRAY
6	PINK
7	BLUE
8	RED
9	BLACK
10	VOILET
11	GRAY/PINK
12	RED/BLUE

**PART NO MATRIX**



W0 = ULTRA LOCK SINGLE ENDED	POLES: C = 12 POLES	HEADER: 006 = MALE STRAIGHT	CABLE: H45 = PUR BLACK	UNIT: M = METER	LENGTH EXAMPLE: 020 = 2 m 050 = 5 m 200 = 20 m	COUPLING NUT MATERIAL : BLANK = STANDARD 1- STAINLESS STEEL 5-DELTRIN 7-TEFLON COATED H-2 PIECES OF I/D CARRIER
						MOLDING COLOR: BLANK = PUR (STANDARD) A = GRAY Y = YELLOW PUR



VIEW FROM THE FRONT SIDE

**CONNECTOR SPECIFICATION :**

**ELECTRICAL DATA :**  
 VOLTAGE RATING : 30V  
 AMPERAGE RATING : 1.5A  
 IP PROTECTION : IP67

**CABLE SPECIFICATION :**

**CONDUCTOR :**  
 MATERIAL : BARE COPPER  
 SECTION : 26 AWG  
 STRANDING : 18x0.10 mm

**INSULATION :**  
 COMPOUND : PP  
 DIAMETER :  $\varnothing 1 \pm 0.10$  mm

**JACKET :**  
 COMPOUND : PUR  
 COLOR : BLACK  
 DIAMETER :  $\varnothing 6 \pm 0.30$  mm

**WIRING DIAGRAM**

1	WHITE
2	BROWN
3	GREEN
4	YELLOW
5	GRAY
6	PINK
7	BLUE
8	RED
9	BLACK
10	VOILET
11	GRAY/PINK
12	RED/BLUE

**BOM**

ITEM	QTY	DESCRIPTION	MATERIAL	FINISH
4	1	ULTRALOCK ASSEMBLY	SEE PART LIST	SEE PART LIST
3	-	MOULDING	PUR	BLACK
2	12	M12 M Contact-12pol	BRASS	GOLD OVER Ni-PLATED
1	-	CABLE	PUR	BLACK

OVER [mm]	UP TO AND INCLUDING [mm]	TOLERANCES [mm]
0	305	+19
305	915	+45
915	1830	+56
1830	3660	+89
3660	7320	+165
7320	14640	+317
14640	30500	+610
30500	>	+2% OF FINISHED LENGTH

MOLEX P/N	ENGINEERING NO.	LENGTH (mm)
1200795006	W0C006H45M020	2000
1200795008	W0C006H45M050	5000
1200795010	W0C006H45M100	10000

FUNCTIONAL SYMBOLS	THIS DRAWING CONTAINS INFORMATION THAT IS PROPRIETARY TO MOLEX ELECTRONIC TECHNOLOGIES, LLC AND SHOULD NOT BE USED WITHOUT WRITTEN PERMISSION	CURRENT REV DESC:		<b>molex</b>	
$\nabla A = 0$ $\nabla E = 0$ $\nabla F = 0$	DIMENSION UNITS: mm SCALE: 2:1 GENERAL TOLERANCES (UNLESS SPECIFIED) ANGULAR TOL $\pm 1.0^\circ$	EC NO: 695694 DRWN: SSM CHK'D: RSILLER APPR: RSILLER	2021/12/22 2022/02/15 2022/02/15		
DIVISIONAL SYMBOLS	4 PLACES $\pm$ 3 PLACES $\pm$ 2 PLACES $\pm 0.05$ 1 PLACE $\pm 0.3$ 0 PLACES $\pm 0.5$	INITIAL REVISION: DRWN: MDHARMANTI APPR: RSILLER	2019/07/15 2019/08/22	PRODUCT CUSTOMER DRAWING DOCUMENT NUMBER: 1200795006 DOC TYPE: PSD DOC PART: 000 REVISION: A1	
DRAFT WHERE APPLICABLE MUST REMAIN WITHIN DIMENSIONS		THIRD ANGLE PROJECTION	DRAWING: A3-SIZE	SERIES: 120079	MATERIAL NUMBER: SEE TABLE 1 CUSTOMER: GENERAL MARKET SHEET NUMBER: 1 OF 1